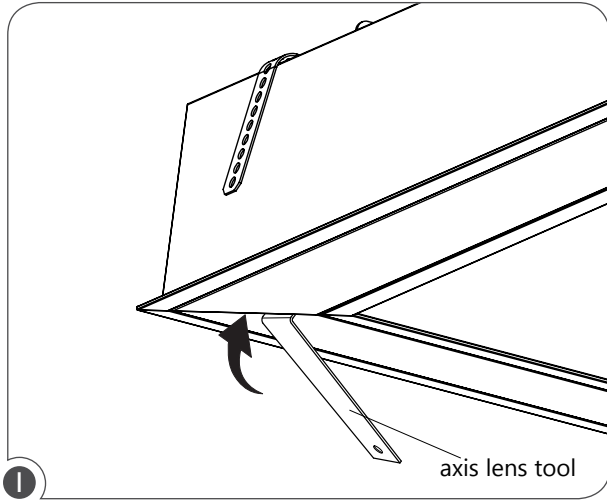
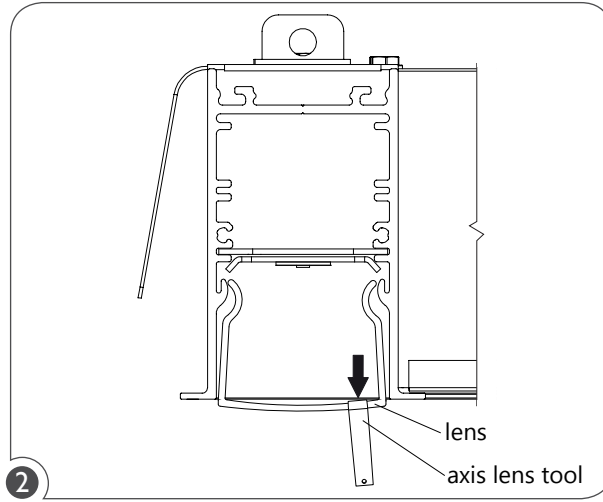


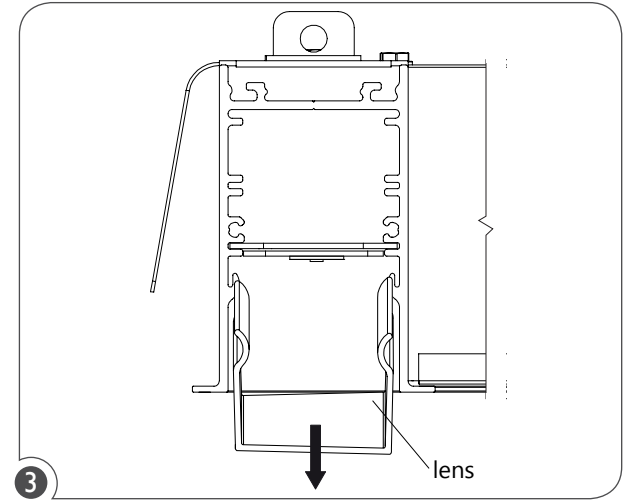
KIT LENS REPLACEMENT INSTRUCTIONS FROM FLUSH LENS TO 0.5" OR 2" STEPLENS



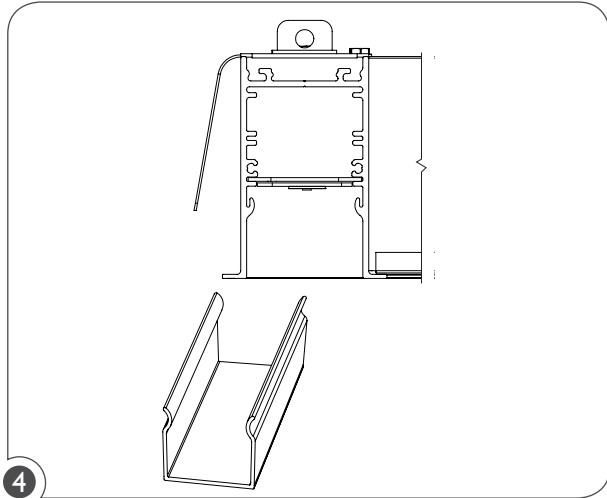
1 Starting at one end of the fixture, insert the bent end of the axis tool into the fixture lens as shown in the above illustration.



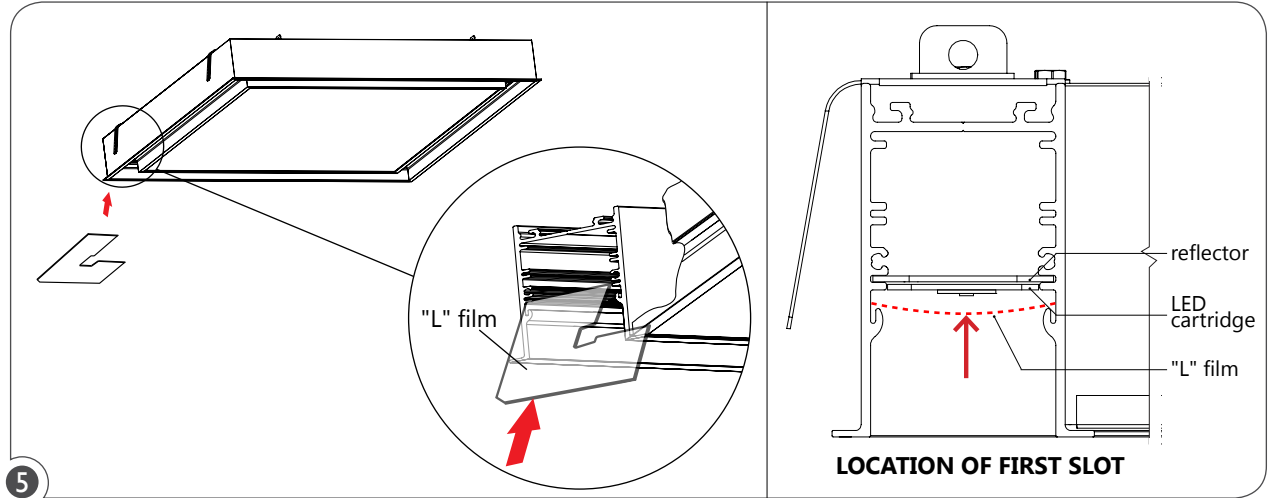
2 Move the tool over to one side to prevent lens from breaking. Push the tool away from the fixture and lever the lens outwards from the fixture.



3 Continue to lever away and slowly pull the lens from the fixture downwards.

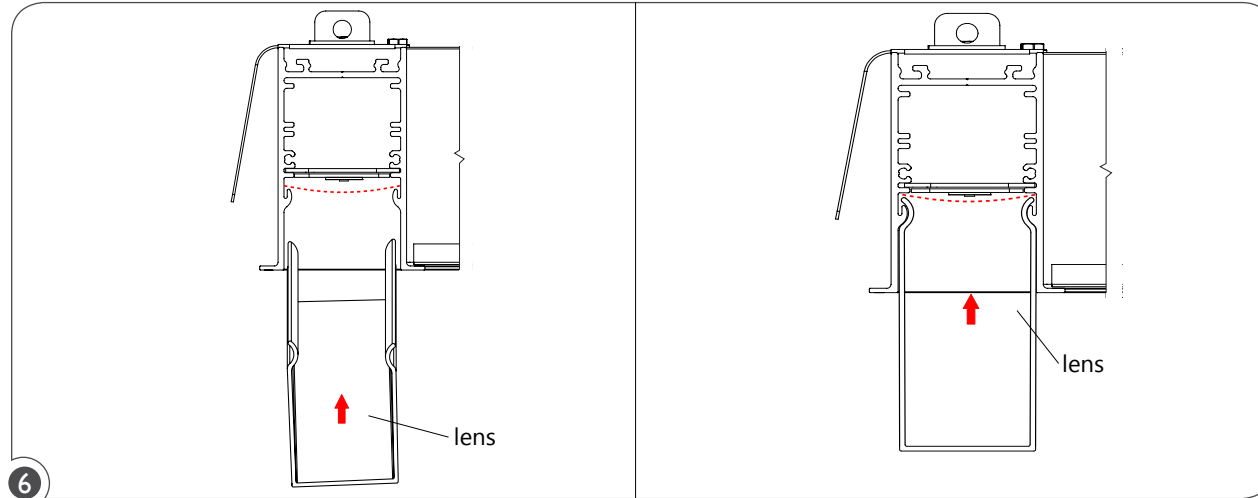


4 Remove the lens entirely from the fixture.



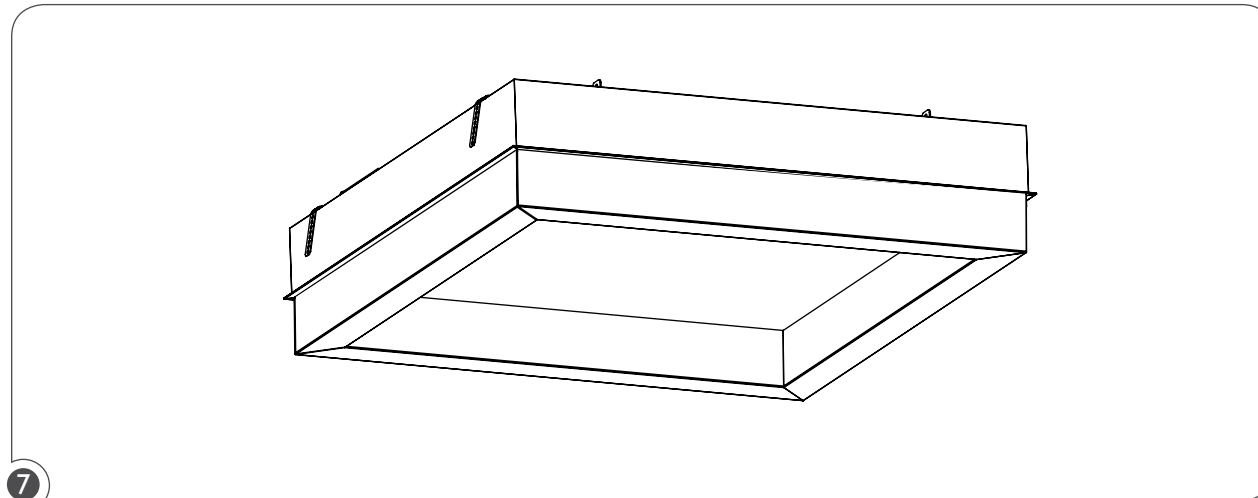
5 **Install "L" film in all corners (4 for each fixture).** Facing inwards, slide the "L" film into one extrusion's end. Make sure to insert the "L" film into the first slot of extrusion like shown above. The other end of "L" film will slide into the the next extrusion's slot.

KIT LENS REPLACEMENT INSTRUCTIONS FROM FLUSH LENS TO 0.5" OR 2" STEPLENS



6

Starting from one end, push the new lens inside and press on the whole length to insert back into fixture.



7

Make sure that the lens is firmly seated and leveled along the whole length of the fixture.