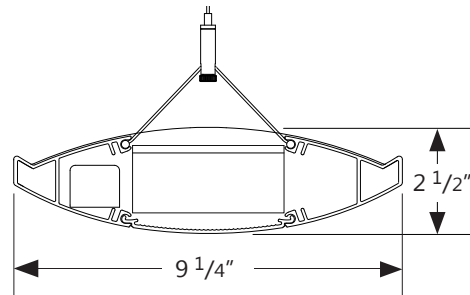


**NOTE:** THE JUNCTION BOXES MUST BE SOLIDLY FIXED TO THE CEILING AND ATTACHED TO THE STRUCTURAL MEMBER INSIDE THE CEILING BEFORE PROCEEDING TO THE INSTALLATION.

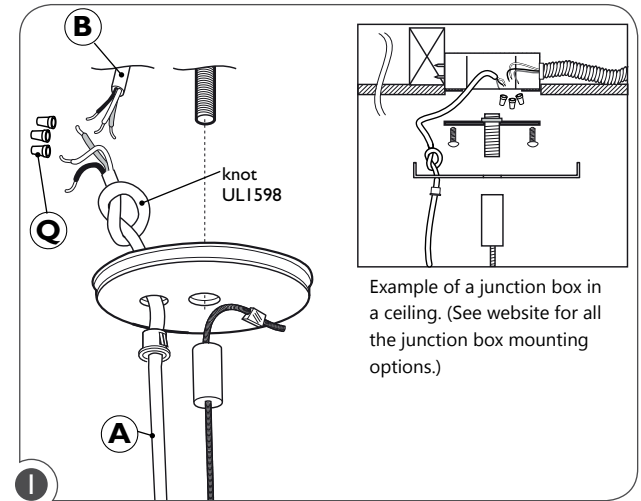
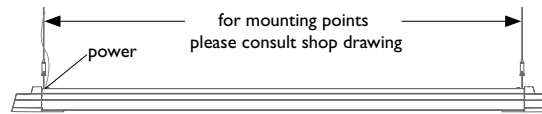
## ● PART LIST

A Power cord	J Wire ferrule
B Ceiling power feed (by others)	K Setscrew
C Canopy	L Mounting screws
D ¼"-20 threaded stud (by others)	N Wedge clips
E Cable mounting nut	O Fixture 2
F Aircraft cable	P Aligners
G Cable Grip	Q Wire nuts
H Cable Grip security nut	R Quick-wire connectors
I Fixture 1	T Cover brackets
	U Screws

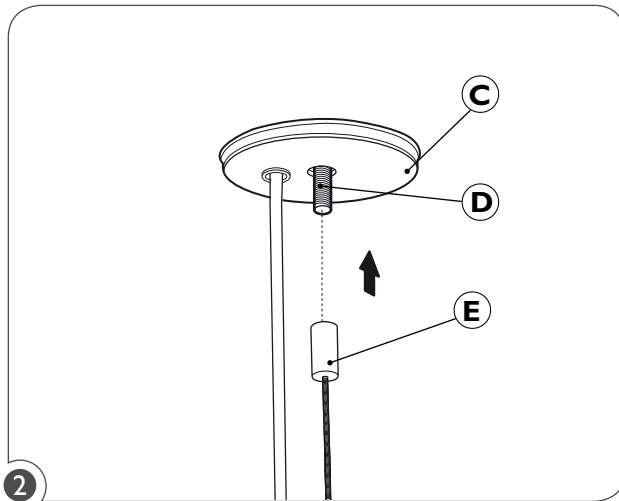
## ● END VIEW



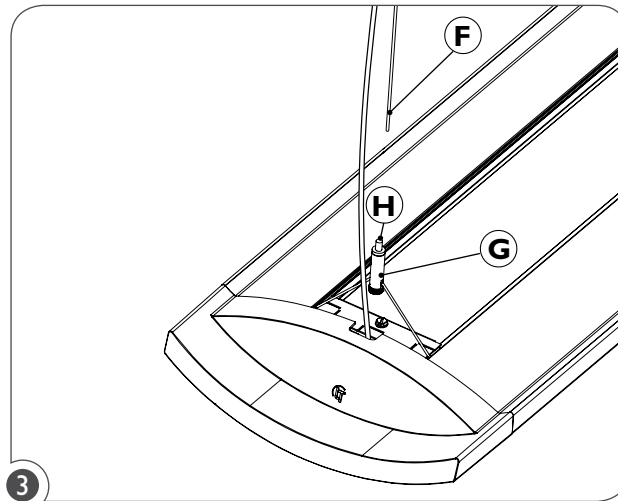
## ● MOUNTING POINTS



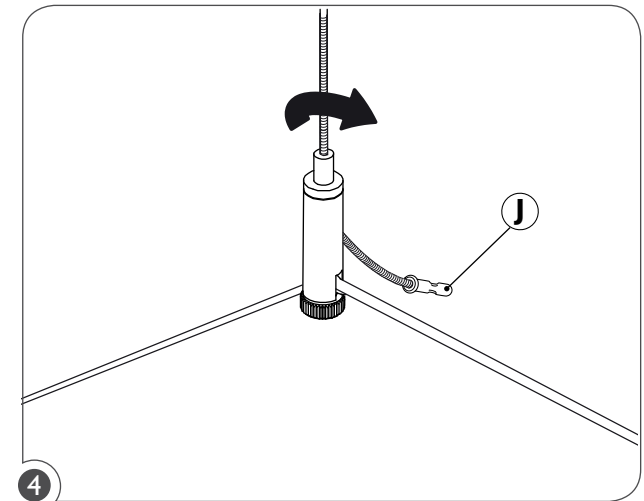
Ensure that the power to the fixture's circuit is turned off. Make a knot on the power cord inside the canopy. Connect the power cord (A) to the ceiling power feed (B) using provided wire nuts (Q).



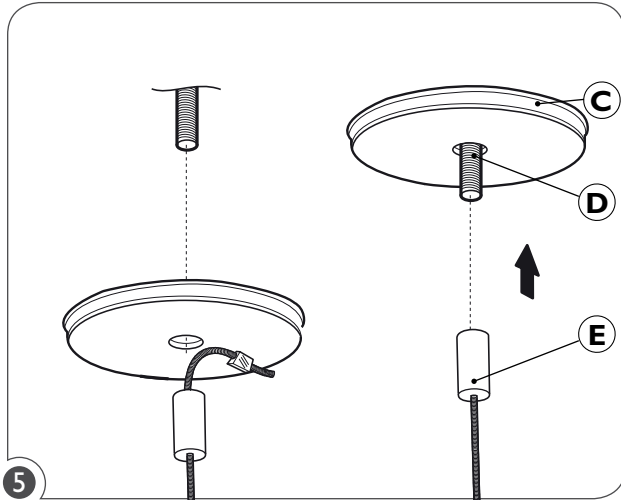
At all power feed suspension points, place canopy (C) in position on threaded stud (D) and secure with cable mounting nut (E).



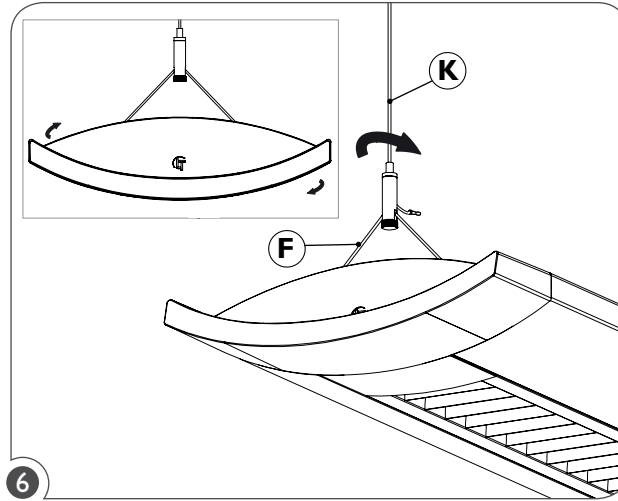
Insert aircraft cable (F) into cable grip (G). Press on the security nut (H) of the cable grip to level and adjust the height of the fixture, while moving the fixture up and down.



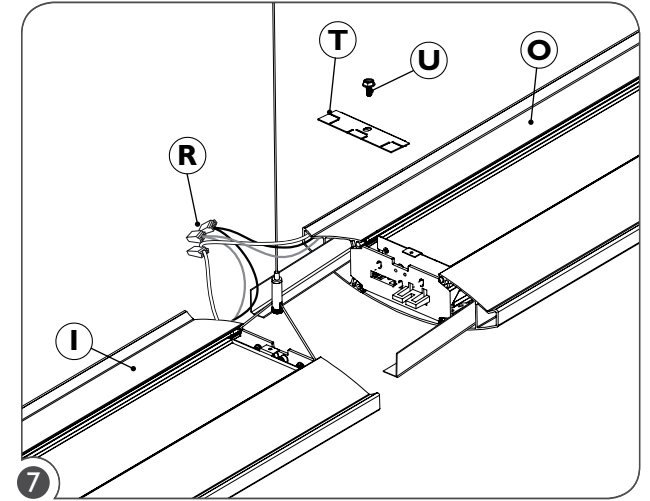
Install a wire ferrule (J) at the end of the cable to prevent injuries.



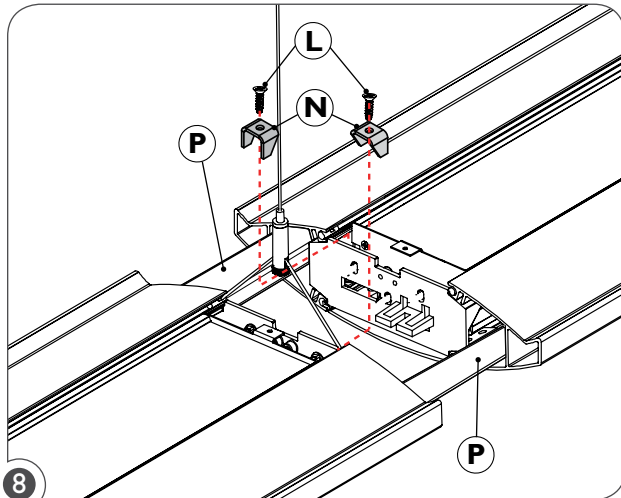
At all suspension points, place canopy (C) in position on threaded stud (D) and secure with cable mounting nut (E).



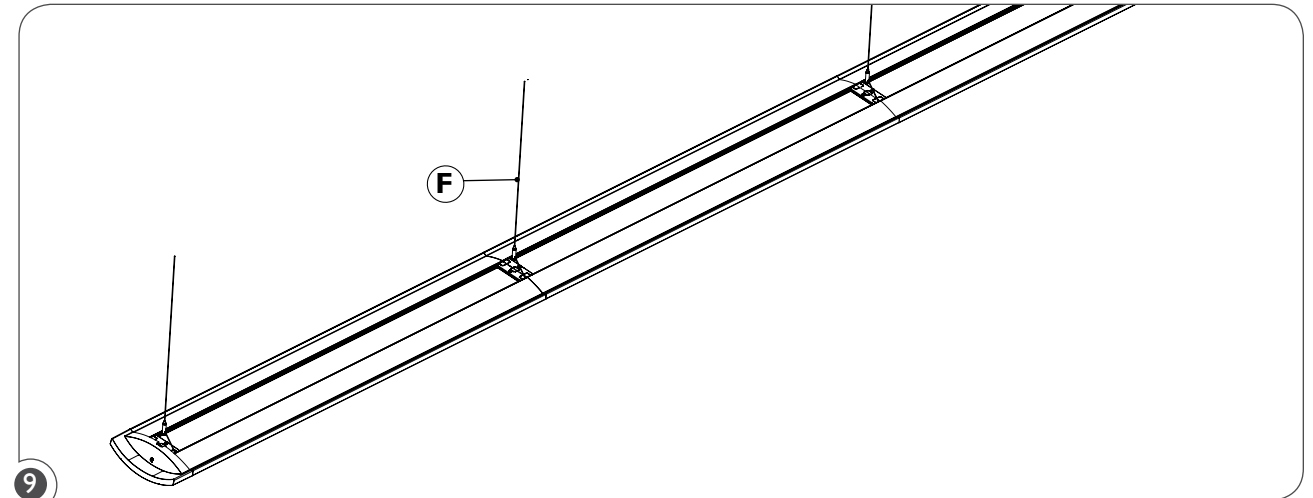
Unscrew the security screw (K) until aircraft cable (F) can slide inside. **DO NOT UNSCREW COMPLETELY, AS THIS WILL CAUSE THE FIXTURE TO FALL.** With a level, adjust aircraft cable so it is straight. Screw back the security screw (K) until aircraft cable (F) does not slide anymore.



**CONTINUOUS ROW:** With first fixture (I) in place, repeat steps 5 to 8 with the second fixture (O). Remove cover brackets (T) from the fixtures by removing the screws (U). Connect the electrical wires using quick connectors (R).



Bring the two fixtures together and connect the second fixture through wedge clips (N) and screws (L) using the aligners (P).



Place cover brackets back into place using screws. Level fixtures by adjusting aircraft cable (F).