



WALL ASYMMETRIC MOUNT

PROJECT INFORMATION

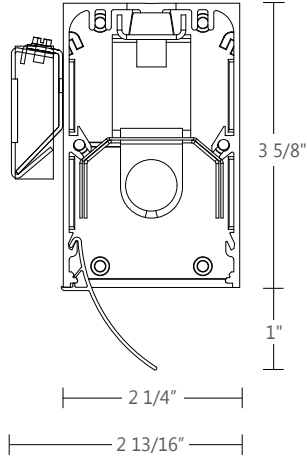
Project:

Type:

Notes:

DIMENSIONS

SECTION VIEWS



ORDERING CODE

1	2	3	4	5	6	7	8	9	10	11	12	13	14	15
---	---	---	---	---	---	---	---	---	----	----	----	----	----	----

PRODUCT SPECIFICATIONS

1 PRODUCT ID	2 OPTICS	3 LENGTH (FT)	4 SPECIFY LENGTH	5 LAMP	6 LAMP CONFIGURATION
BWD wall direct	A asymmetric	2 2' 3 3' 4 4' 5 5' 6 6' 8 8' 12 12' S# System Run	NL nominal (3' & 4' lamps) NL4 nominal (4' lamps only) EX exact (3' & 4' lamps) EX4 exact (4' lamps only)	T5 T5 T5HO T5HO T8 T8	1 1 lamp

7 MR	8 FINISH	9 VOLTAGE	10 BALLAST	11 CIRCUITS	12 BATTERY
M11# MR 11 halogen M11LED# MR 11 LED	AP aluminum paint W white BLK black C custom	120 120 V 277 277 V 347 347 V ⁽¹⁾ UNV universal	D dimming E instant start ⁽²⁾ ERS program start BI bi-level dimming	1 1 regular 2A/B 2 alternating +E(#) emergency section +NL(#) night light section +GTD(#) generator transfer device +M MR	B# battery pack 4' sections
Add 6" per lamp Requires 120V or 277V		(1) Please consult factory	(2) Available with T8 lamp only		Requires 120V or 277V

13 OTHER	14 IC CONTROLS	15 CUSTOM
F fuse EF end feed	DS# daylight sensor OS# occupancy sensor DOS# daylight&occupancy sensor See integrated controls guide for further details	C custom Please specify





WALL ASYMMETRIC MOUNT

● CONSTRUCTION

Housing	Extruded Aluminum (0.075" nominal) up to 70% Recycled Content
End Cap	Sheet Steel (18 ga)
Interior Brackets	Die Formed Sheet Steel (18 ga)
Reflectors	White Powder Coated Sheet Steel (22 ga)
Blank	Extruded Aluminum (0.075" nominal)

Wall Mount Bracket Die Formed Sheet Steel (16 gauge)

● WEIGHT

4 ft	10.5 lbs / 4.8 kg
8 ft	21.0 lbs / 9.6 kg
12 ft	31.5 lbs / 14.4 kg

● SYSTEM (S#)

BEAM 2 linear systems, with the use of a strong profile, allow for a nearly hair thin connection system of continuous runs. Lengths of 4', 8', 12' as well as custom lengths are available. Runs of BEAM 2 that are greater than 12' in length are designated as systems (S#). This means that the run is comprised of a combination 4', 8' and/or 12' sections to be assembled on site using our joining system. For more information on systems and joining, please refer to the BEAM installation sheets available for download at www.axislighting.com.

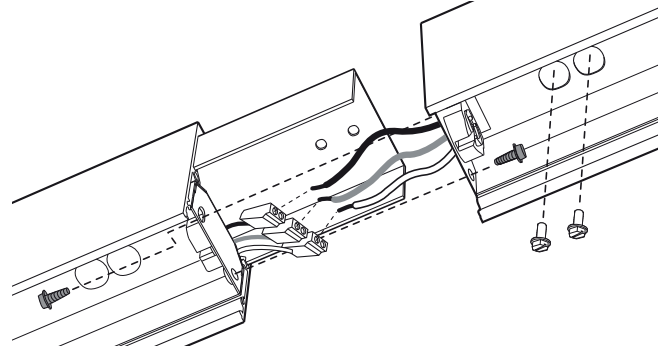
● ELECTRICAL

Ballast	Electronic IS, Electronic Rapid Start, Dimming (0-10V, Line, EcoSystem, DALI), BI-level dimming With preinstalled ballast disconnect as per NEC & CEC
Emergency	Emergency battery pack or emergency circuit
Voltage	120V, 277V, 347V, UNV

i Incorporating these components may have limitations or effect the length of the luminaire, please contact factory for more details.

● JOINERS

In order to allow very long runs of BEAM 2 luminaires, Axis has developed a number of different joining systems. Special care has been taken to maximize the performance of the joiner for each BEAM option.




NOTE: Mount each system segment individually. Do not assemble system prior to mounting.

i Allow a minimum of 6" between end of long runs and vertical wall

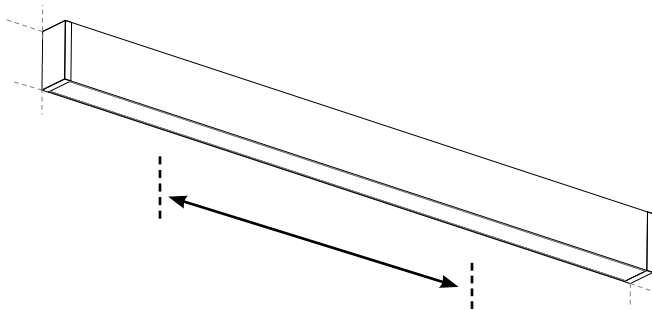
● FINISH

Aluminium paint, Powder Coated and custom finishes are also available.

● APPROVALS

Certified to UL and CUL standards 
 Meets NYC requirements and ADA requirements.
 Suitable for damp locations.

● MOUNTING SPACING

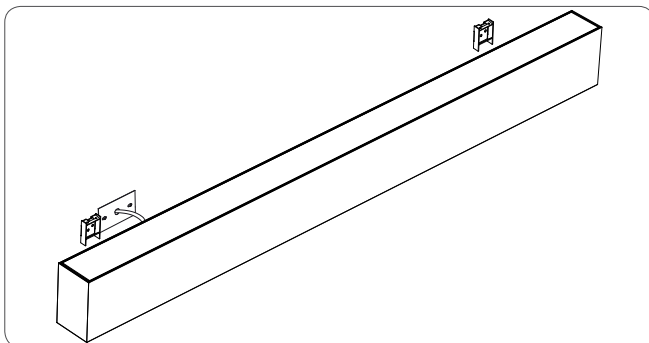


END TO END

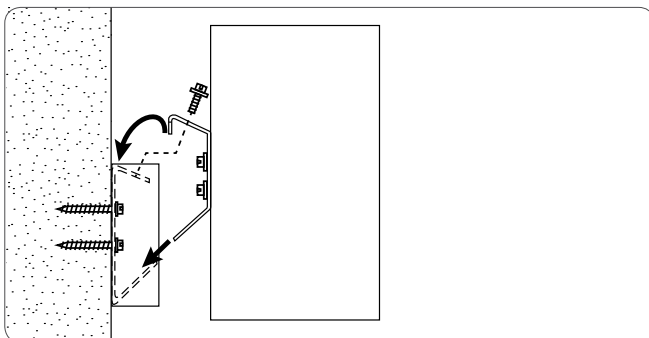
T5/T5HO	T8
BEAM2 4' (32" C.C.)	BEAM2 4' (32" C.C.)
BEAM2 8' (80" C.C.)	BEAM2 8' (80" C.C.)
BEAM2 12' (112" C.C.)	BEAM2 12' (128" C.C.)

NOTE: Use stud if possible for mounting

● HORIZONTAL MOUNTING DETAILS



MOUNTING BRACKETS



SIDE VIEW

● OTHER MOUNTING OPTIONS

BEAM 2 is available with pendant, recessed, pendant, surface, wall and recessed wall mounted options.

i Specification sheets and Installation sheets for all mounting for BEAM luminaires are available for download at www.axislighting.com

● MR11

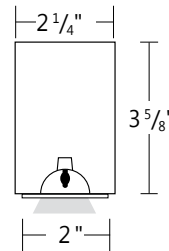
Blank MR11 Halogens MR11 LED Quantity

Extruded Aluminum (0.075" nominal)
 1.4" diameter (20W / 35W)
 1.4" diameter

For every 4' fluorescent lamp section, there may be up to a maximum of 4 x MR11 lamps.

Each MR11 is placed centered on a blank section 6" in length.

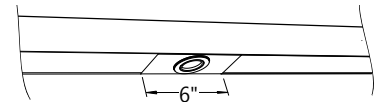
Spacing



For a series of MR11's within a given section length, they will be spaced evenly on a longer blank section. The directed light of MR11 Halogen lamps are fixed downward.

Custom spacing may be available on special request.

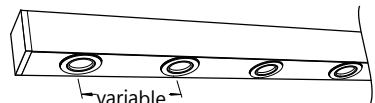
Between fluorescent lamps sections



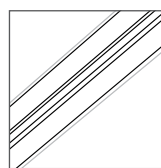
At luminaire ends



Several in a long blank section



● OPTICS



A asymmetric

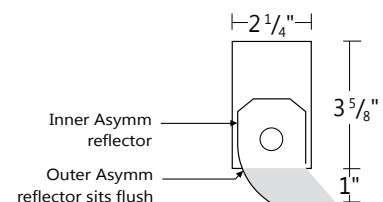
ASYMMETRIC NO LENS
 (asymmetric reflector)

● ASYMMETRIC

Inner Asymmetric Reflector

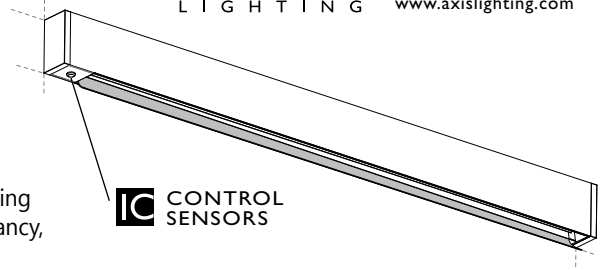
Die Formed Specular Aluminum (22 gauge)
 Extruded Aluminum (0.075" nominal)

Outer Asymmetric Reflector



● INTEGRATED CONTROL OPTIONS

BEAM 2 luminaires allow the use of integrated controls such as daylight sensors (DS), occupancy sensors (OS), individual daylight sensors and occupancy sensors (DS+OS), and combination daylight/occupancy sensors (DOS). These options can be seamlessly integrated into our luminaires. The control system could be used to optimize the lighting of the space by reducing energy consumption through daylight harvesting and occupancy, thereby improving the overall interior environment and allowing for LEED credits.



- Consult factory for other options.
- Refer to IC guide for more information.

SENSORS	BRAND	Model	TYPE	CODE	COMPATIBLE DIMMING BALLAST
Daylight Sensor (DS)	Lutron	EC-DIR-WH	Daylight	LD	EcoSystem
	Wattstopper	FD-301	Daylight	WD	0-10V
	Philips	Luxsense	Daylight	PL	0-10V
Occupancy Sensor (OS)	Wattstopper	FS-205	PIR Occupancy	WP1	Programmed Rapid Start
		FS-355	PIR Occupancy	WP2	Programmed Rapid Start
		FM-105	High Frequency Occupancy	WH	Programmed Rapid Start
Daylight & Occupancy Sensors (DOS)	Philips	Actilume	Daylight & PIR Occupancy	PA	DALI or 0-10V

i All IES files for other lamping are available for download at: www.axislighting.com