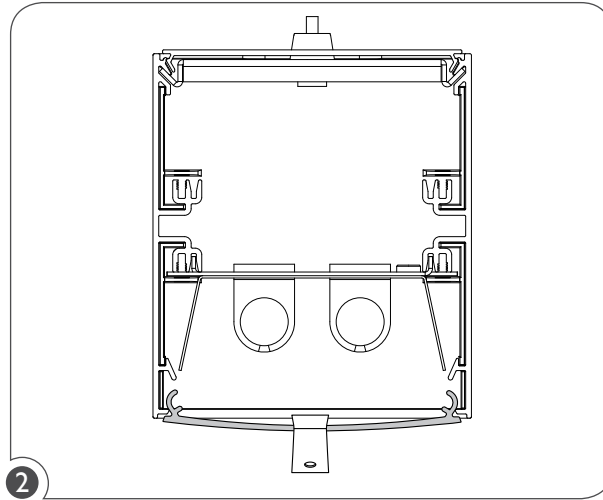


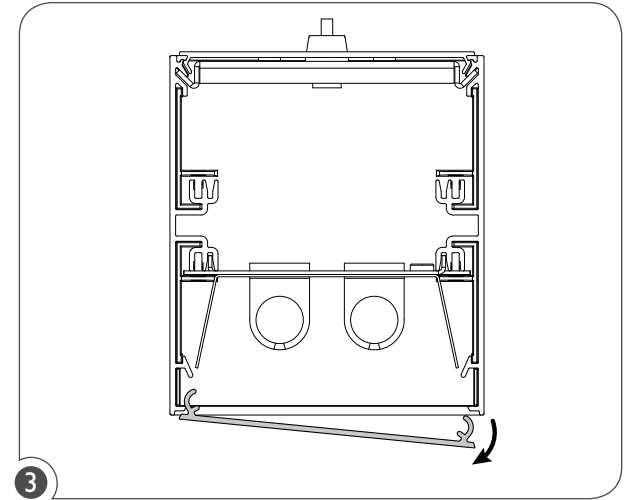
1

Using the provided tool. Starting at one end of the fixture, insert the bent end of the tool into the fixture lens as shown in the above illustration.



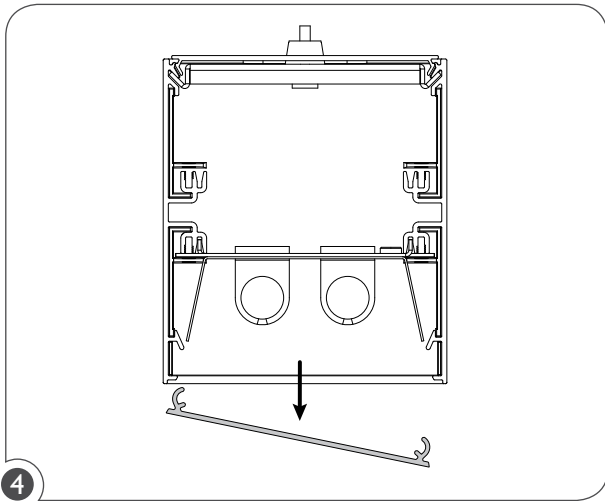
2

Push the tool away from the fixture and lever the lens outwards from the fixture.



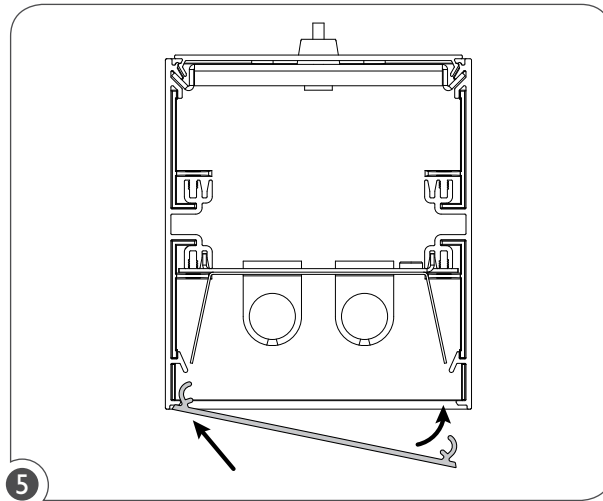
3

Continue removing the lens from one side of the fixture.



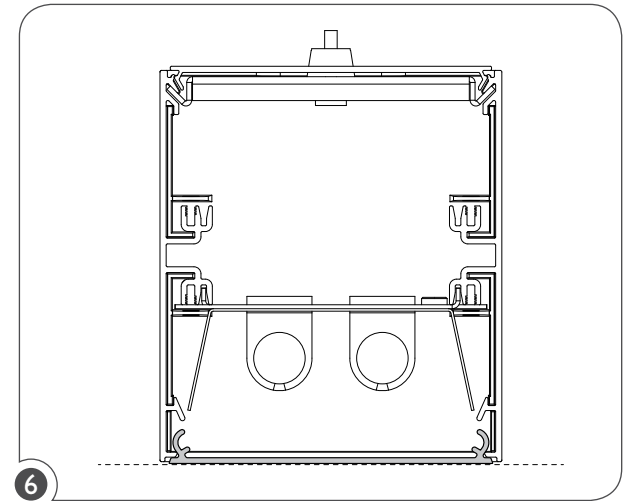
4

Remove the lens entirely from the fixture.



5

To install, slide lens inside the fixture by starting with one side and push inwards into the fixture until the lens snaps in place.



6

Make sure that the lens is firmly seated and leveled along the whole length of the fixture.

