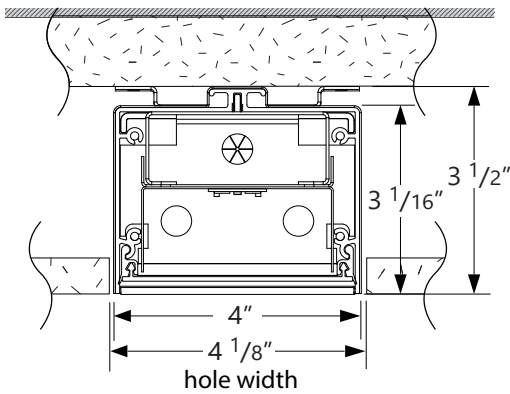




Project \_\_\_\_\_

Type \_\_\_\_\_

Notes \_\_\_\_\_



**PERFORMANCE PER LINEAR FOOT AT 3500K**

NOMINAL LUMEN OUTPUT	INPUT WATTS*	EFFICACY
1000 lm/ft	11.5 W/ft	87 lm/W

Please consult factory for custom lumen output and wattage.



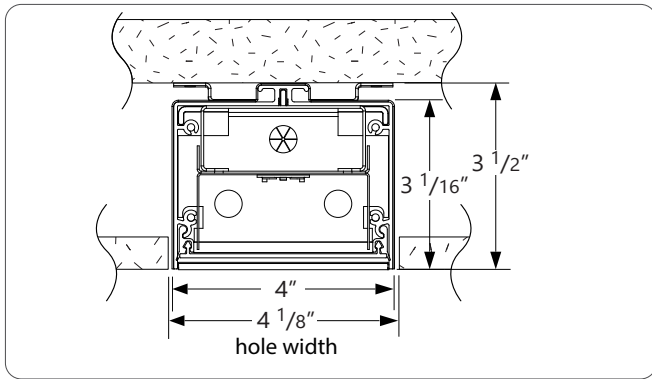
**Ordering Guide**

WBRLED		NOM.LUMENS/FT		CRI		COLOR TEMP.		S		LENGTH (FT)	
PRODUCT ID								SHIELDING			
<b>WBRLED</b>	Recessed LED	<b>400</b>	400 lm/ft - Min.	<b>80</b>	80 CRI	<b>27</b>	2700 K	<b>S</b>	satin lens	<b>2</b>	2'
		<b>1000</b>	1000 lm/ft - Max.	<b>90</b>	90 CR	<b>30</b>	3000 K			<b>3</b>	3'
						<b>35</b>	3500 K			<b>4</b>	4'
						<b>40</b>	4000 K			<b>5</b>	5'
										<b>8</b>	8'
										<b>S#</b>	system run
										Nominal lit length not including end caps	

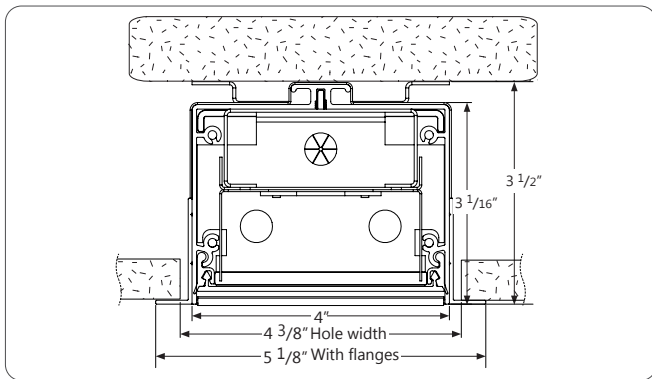
FINISH		VOLTAGE		DRIVER		CIRCUITS		MOUNTINGS	
<b>W</b>	white	<b>120</b>	120 V	<b>DP</b>	dimming (0-10V) 1%	<b>1</b>	1 circuit	<b>D</b>	drywall flangeless
<b>BLK</b>	black	<b>277</b>	277 V	<b>LT(#)</b>	Lutron *	<b>2</b>	2 circuits	<b>DF</b>	drywall flange
<b>C</b>	custom	<b>347</b>	347 V	<b>BI</b>	bi-level dimming	<b>+E(#)</b>	emergency circuit *	<b>DS</b>	drywall spackle flange
		<b>UNV</b>	universal	<b>O(#)</b>	other **	<b>+NL(#)</b>	night light circuit *		
		<b>DC</b>	low voltage*	<b>POE(#)</b>	POE drivers*	<b>+GTD(#)</b>	generator transfer device *		
			* Only available with POE drivers.		* Operating up to -20°C; Specify system ** Please consult factory; see page 2		* Specify quantity		

BATTERY (OPTIONAL)		OTHER (OPTIONAL)		IC CONTROLS (OPTIONAL)		CUSTOM (OPTIONAL)	
<b>B#</b>	battery pack (integral)	<b>+EF</b>	end feed*	<b>OS(#)</b>	occupancy sensor	<b>C</b>	custom
		<b>+N</b>	natorium finish	<b>EN(#)</b>	Enlighted integral		
				<b>WC(#)</b>	wireless control dimming		
Not available with 347V Please consult factory		* See page 3 for more details.		<a href="#">See integrated controls guide for further details</a> Please consult factory		Please specify	

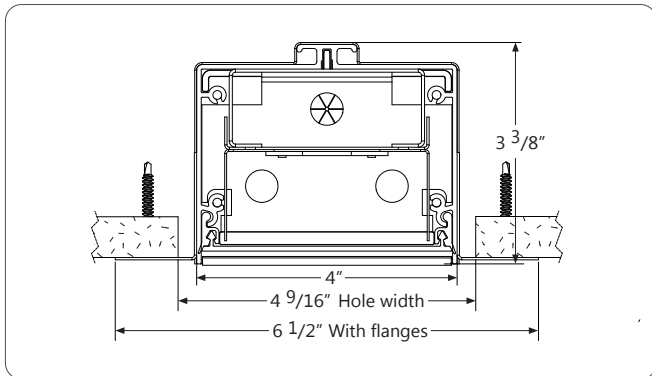
● **HORIZONTAL RECESSED MOUNTING OPTIONS**



**D DRYWALL FLANGELESS**



**DF DRYWALL FLANGE**



**DS DRYWALL SPACKLE FLANGE**

● **LED SYSTEM**

- CRI** Minimum 80 or 90 color rendering index.
- CCT** Choice of 2700K, 3000K, 3500K and 4000K color temperature with a great color consistency (within 3-step MacAdam ellipse). Both within fixture and fixture to fixture.
- LED life** Minimum 50,000h with 85% of lumen maintenance in 25°C ambient temperature, in compliance with IES LM-80 testing measurements.
- Thermal Management** Aluminum housing acting as the heat sink to maximize life.

● **OTHER MOUNTING OPTIONS**

WET BEAM 4 LED is available with, pendant, surface, wall mounted options and recessed vertical.

● **CONSTRUCTION**

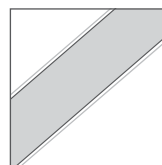
- Housing** Extruded aluminum (0.062" nominal)  
Up to 70% recycled content
- End Cap** Die cast zinc (0.070" nominal)
- Interior Brackets** Die formed sheet steel (16 gauge)
- Gaskets** Moulded elastomer (0.100" nominal)
- Lens Gaskets** Extruded elastomer (0.045" nominal)
- Satin Lens** Extruded Polycarbonate

● **ELECTRICAL**

- Lutron driver** LDE1 - Hi-lume 1% EcoSystem with Soft-on, Fade-to-Black
- Other drivers\*\*** DALI - Digital Addressable Lighting Interface  
DMX - Digital Multiplex  
Xitanium SR - For wireless sensor
- Power over Ethernet POE drivers\*** MOLEX  
IGOR  
UL2108 certified for integral or remote driver  
SMARTENGINE  
O - Other (Consult factory)  
\*Consult factory
- Emergency** Integral emergency battery pack or emergency circuit optional.
- Input Voltage** 120V, 277V, 347V, UNV.
- Flex Whip** Shipped in a separate box for contractors to install

**i** Incorporating these components may have limitations or affect the length of the luminaire. Please contact factory for more details.

● **OPTICS**



S satin lens

**SATIN LENS**  
Extruded Polycarbonate

● **WEIGHT**

- Recessed Horizontal 4 ft** 12.8 lbs / 5.8 kg
- Recessed Horizontal 8 ft** 24.5 lbs / 11.1 kg

● **GASKETTED FIXTURE**

With its gasketed end cap and lens the Wet BEAM 4 LED is made for wet locations, and is ideal for exterior soffits and canopies of malls, hospitals and other institutions.

**i** Row configuration, specification sheets and mounting spacing guides are available for download at: [www.axislighting.com](http://www.axislighting.com)

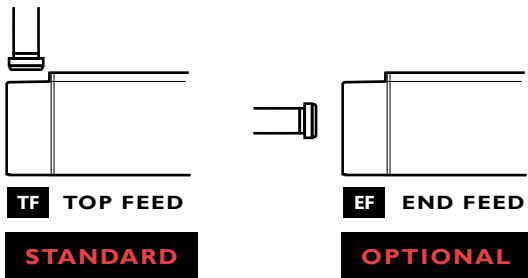
● **WARRANTY**

Axis Lighting will warrant defective LEDs, boards, and drivers for 5 years from date of purchase. Warranty is valid if luminaire is installed and used according to specifications. If defective, Axis will send replacement boards or drivers at no cost along with detailed replacement instructions and instructions on how to return defective components to Axis.

● **FINISH**

Aluminum paint, powder coated and custom finishes are also available.

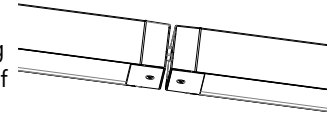
● **POWER FEED**



\* Not available with 347 V.

● **JOINER SYSTEM**

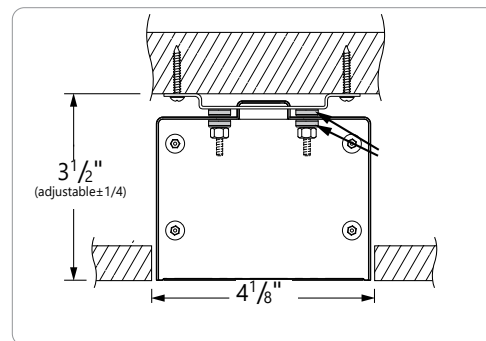
WET BEAM4 LED modular system consists of smaller modules joined and gasketed together allowing for system runs in lengths of 4' and 8' as well as custom lengths up to 12'.



\* For continuous rows allow 2" for connectors between each fixture.

● **END VIEW**

For D and DF mounting.

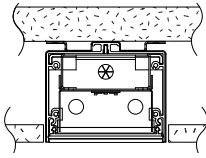


● **APPROVALS**

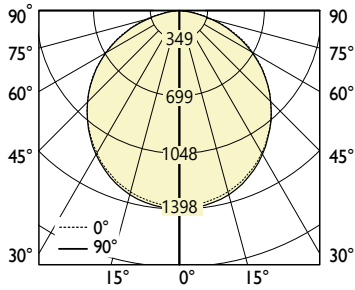
Certified wet locations to UL and CSA standards 

● PHOTOMETRIC DATA

1000 lm/ft



PHOTOMETRIC CURVE



**Luminaire Lumens: 1000 lm/ft**  
**Total Lumens: 4000 lm (for 4ft)**  
**Input Watts: 45.8 W/ft**  
**Efficacy: 87 lm/W**  
 IES FILE: WBRLED-1000-80-35-S-4.IES

TESTED ACCORDING TO IES LM-79-2008

CANDELA DISTRIBUTION

Vertical Angle	Horizontal Angles				
	0	22.5	45	67.5	90
0	1397	1397	1397	1397	1397
5	1393	1391	1391	1389	1390
15	1347	1344	1341	1339	1338
25	1256	1250	1246	1243	1242
35	1123	1115	1109	1104	1104
45	952	943	935	929	928
55	748	738	729	720	718
65	514	503	492	482	479
75	272	262	249	236	233
85	57	49	39	30	27
90	4	3	3	3	3

ZONAL LUMENS

Zone	Lumens
0	
0-10	132
10-20	380
20-30	577
30-40	699
40-50	728
50-60	659
60-70	496
70-80	271
80-90	58
90	

LUMINANCE DATA (cd/m<sup>2</sup>)

Vertical Angle	Horizontal Angles		
	0	45	90
45	10617	10430	10350
55	10276	10017	9870
65	9587	9183	8941
75	8298	7599	7091
85	5172	3533	2411

**i** All IES files are available for download at: [www.axislighting.com](http://www.axislighting.com)