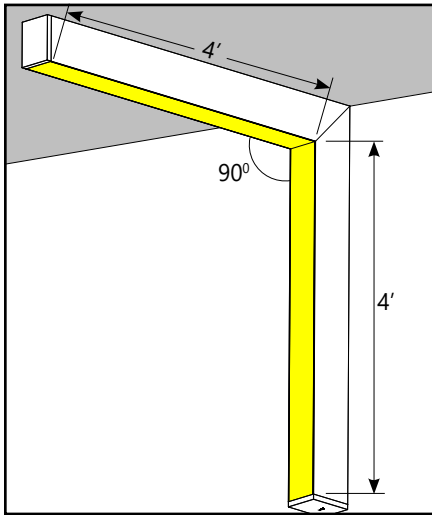


Project _____

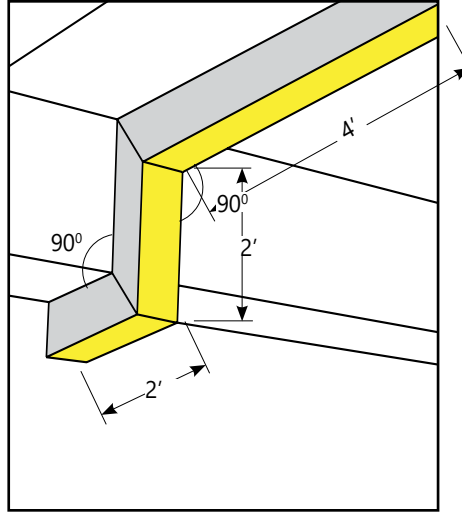
Type _____

Notes _____



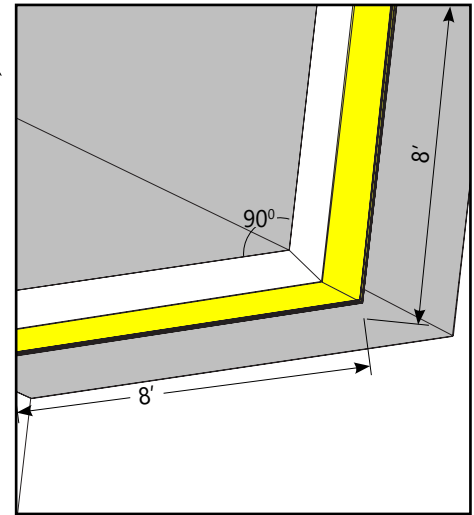
TB4SLEDPAT	OPI	CD(90)	8'
PRODUCT ID	PATTERNS	CORNER DEGREES	LENGTH/FT

3D VIEW - Inside Corner Pattern



TB4SLEDPAT	OPOI	CD(90+90)	8'
PRODUCT ID	PATTERNS	CORNER DEGREES	LENGTH/FT

3D VIEW - Outside/Inside Corner Pattern



TB4SLEDPAT	OPO	CD(90)	16'
PRODUCT ID	PATTERNS	CORNER DEGREES	LENGTH/FT

3D VIEW - Outside Corner Pattern

IMPORTANT – all corner patterns must be submitted with drawings indicating dimensions and angles degree.

Ordering Guide

PRODUCT ID	PATTERNS	CORNER DEGREES	LUMENS/FT	CRI
TB2SLEDPAT beam 2 led surface	OPO open shape outside lit corner	CD(90) 90 degrees	400 400 lm/ft - Minimum	80 80 CRI
B2SQSLEDPAT beam 2 square led surface	OPI open shape inside lit corner	CD(#) other degree	1000 1000 lm/ft - Maximum	90 90 CRI
TB3SLEDPAT beam 3 led surface	OPOI open shape outside/inside lit corner			
TB4SLEDPAT beam 4 led surface				
B6SLEDPAT beam 6 led surface				

Outputs between listed min and max are available. Consult factory for outputs outside of the listed range.

COLOUR TEMP.	SHIELDING	LENGTH/FT	SPECIFY LENGTH	FINISH	VOLTAGE	DRIVER
27 2700 K	SO spotless lens	# total pattern length	NL nominal EX exact	AP aluminum paint W white BLK black C custom	120 120V 277 277V 347 347V UNV universal DC low voltage*	DP dimming (0-10V) 1% LT(#) Lutron* BI bi-level dimming O(#) other** POE(#) POE drivers*

* Only available with POE drivers. ** Specify system
** Please consult factory; see page 2

CIRCUITS	MOUNTING	BATTERY	OTHER	IC CONTROLS (OPTIONAL)	CUSTOM (OPTIONAL)
1 1 circuit 2 2 circuits +E(#) emergency circuit* +NL(#) night light circuit* +GTD(#) generator transfer device*	S surface drywall ceiling SB surface t-bar ceiling SC surface solid ceiling	B(#) battery pack 4' sections	F fuse* EF end feed FW(#) flex whip (6' std) CP Chicago plenum	DS(#) daylight sensor OS(#) occupancy sensor DOS(#) daylight & occupancy sensor EN(#) Enlighted integral* ENR(#) Enlighted remote* WC(#) wireless control dimming	C custom

* Specify quantity
Requires 120V or 277V Please consult factory
* Requires 120V or 277V
* Please consult factory See integrated controls guide for more details.
Please specify

● LIT CORNER FEATURES

The Lit Corner system allows continuous illumination all the way through the corner section

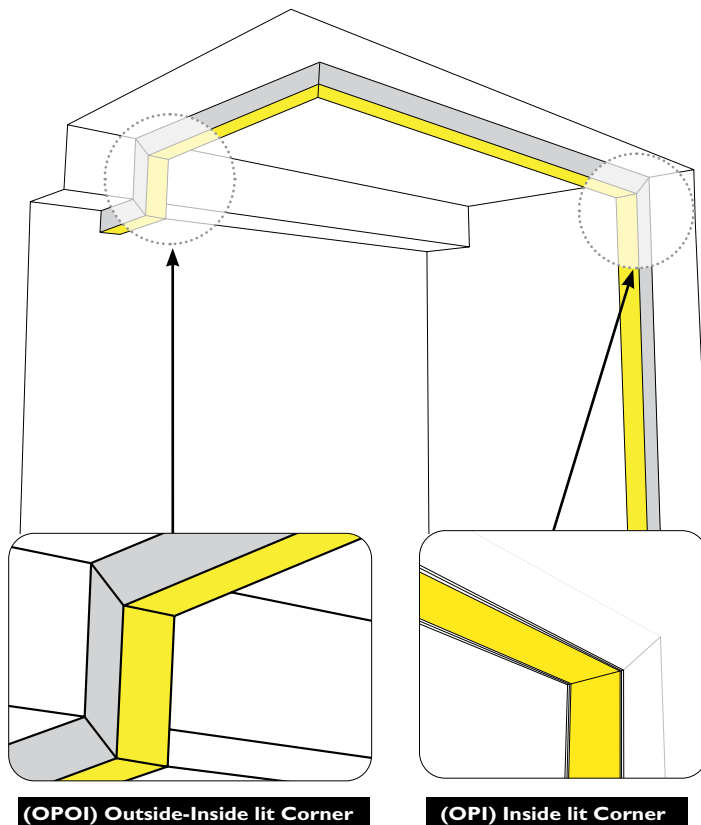
To optimize corner illumination, lit corners are created as integral components of the linear sections. Linear sections have mitered ends that connect to corresponding mitered ends of neighboring linear sections.

Illuminated Corners are more complex. Because the corner is fully illuminated, the corner is not independent of the straight sections, but integrated into the straight segment's housing. The corner is mitered, allowing a seamless line of light.

Inside Illuminated Corner. A fully lit corner on the inside planes.

Outside Illuminated Corner - A fully lit corner on the outside planes

TIP: Provide sketches illustrating corner types and locations required.



● ELECTRICAL

Lutron driver* LDE1 - Hi-lume 1% EcoSystem with Soft-on, Fade-to-Black
LDE5 - 5-Series EcoSystem
LTEA - Hi-lume 1% 2-wire (120V forward phase only)
*Consult factory

Other drivers DALI - Digital Addressable Lighting Interface
DMX - Digital Multiplex
LV - line voltage - Advance Mark 10
Xitanium SR - For wireless sensor

Power over Ethernet MOLEX
POE drivers* IGOR
(consult factory for more information) O - Other (Consult factory)
UL2108 certified for integral or remote driver

Emergency Integral emergency battery pack or emergency circuit optional.

Input Voltage 120V, 277V, 347V, UNV.

Incorporating these components may have limitations or affect the length of the luminaire. Please contact factory for more details.

● LED SYSTEM

CRI Minimum 80 or 90 color rendering index.

CCT Choice of 2700K, 3000K, 3500K and 4000K color temperature with a great color consistency (within 3-step MacAdam ellipse). Both within fixture and fixture to fixture.

LED life Minimum 50,000h with 85% of lumen maintenance in 25°C ambient temperature, in compliance with IES LM-80 testing measurements.

Thermal Management Aluminum housing acting as the heat sink to maximize life.

Environment Dry and damp rated in operating ambient temperatures of 0-40°C (32-104F).

● WARRANTY

Axis Lighting will warrant defective LEDs, boards, and drivers for 5 years from date of purchase. Warranty is valid if luminaire is installed and used according to specifications. If defective, Axis will send replacement boards or drivers at no cost along with detailed replacement instructions and instructions on how to return defective components to Axis.

IMPORTANT – all corner patterns must be submitted with drawings indicating dimensions and angles degree.

