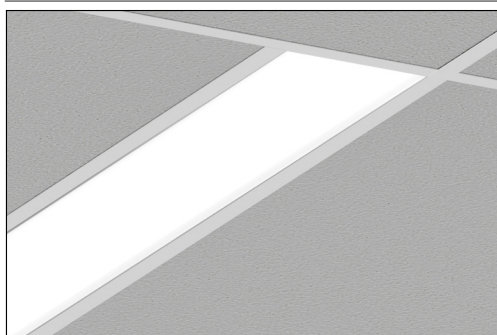
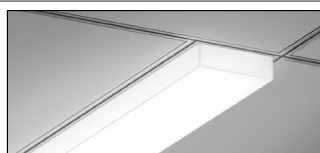


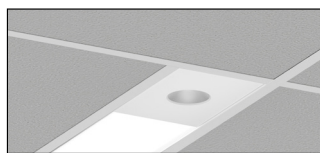
# Beam 4 | Recessed mount



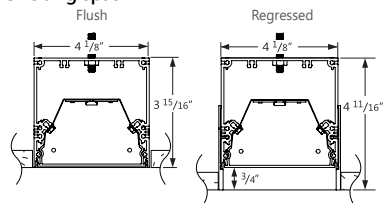
Shielding option



StepLens option



Downlight insert



Project \_\_\_\_\_

Type \_\_\_\_\_

Notes \_\_\_\_\_

## PERFORMANCE PER LINEAR FOOT AT 3500K

NOMINAL LUMEN OUTPUT	INPUT WATTS*	EFFICACY	SHIELDING
1200 lm/ft	9.6 W/ft	126 lm/W	0.25G
1200 lm/ft	9.5 W/ft	126 lm/W	0.5G
1200 lm/ft	9.3 W/ft	129 lm/W	1.5M
1200 lm/ft	9.3 W/ft	129 lm/W	1.5P
1200 lm/ft	9.7 W/ft	124 lm/W	FL
1200 lm/ft	9.7 W/ft	124 lm/W	RG
1000 lm/ft	9.5W/ft	111 lm/W	WW
1000 lm/ft	9.5W/ft	111 lm/W	ASO
1200 lm/ft	9.8 W/ft	122 lm/W	BW
1000 lm/ft	9.4 W/ft	144 lm/W	GZ
1000 lm/ft	9.8 W/ft	109 lm/W	NW
1200 lm/ft	10.4 W/ft	116 lm/W	UB

Please consult factory for custom lumen output and wattage.

## Ordering Guide

BBRLED	PRODUCT ID	NOM. LUMENS/FT	CRI	COLOR TEMP. (choose one)	SHIELDING	LENGTH
Recessed LED	400	400 lm/ft - Minimum	80	27 2700 K	FL flush	2 2'
	1000	1000 lm/ft - max for GZ, NW, WW, ASO.*	90	30 3000 K	RG regressed	3 3'
	1200	1200 lm/ft - Maximum		35 3500 K	0.25G 0.25" Glo lens	4 4'
				40 4000 K	0.5G 0.5" Glo lens	5 5'
				B30 3000 K - BIOS*	1.5M 1.5" StepLens, lum. end cap*	6 6'
				B35 3500 K - BIOS*	1.5P 1.5" StepLens, opaque end cap*	8 8'
				B40 4000 K - BIOS*	UB Ultra blend lens**	12 12'
					ASO asymmetric, flush only	S(L) system run
					BW batwing, flush only	
					NW narrow, flush only	
					GZ graze, flush only	
					WW wallwash, flush only	
Outputs between listed min and max are available. * 1000 lm/ft max. only for GZ, NW, WW and ASO. Consult factory for outputs outside of the listed range. Consult factory for max output with BIOS			* Not available with BIOS.	Consult Axitune technical sheet for more information on color technology. *Consult BIOS guide for more information on BIOS technology.	All lens options use spotless lens *See page 2-3 for more details **Default lens for Tunable white and BIOS. Consult factory for other lens.	

LED DOWNLIGHT INSERT	FINISH	VOLTAGE	DRIVER	CIRCUITS	MOUNTING
CB21225(#) Fixed LED 1-3/4" dia 1250lm 25deg*	W white	120 120 V	DP dimming (0-10V) 1%	1 1 circuit	TB9 t-bar 9/16"
CB21234(#) Fixed LED 1-3/4" dia 1250lm 34deg*	BLK black	277 277 V	LT(#) Lutron*	2 2 circuits	TB15 t-bar 15/16"
CB21246(#) Fixed LED 1-3/4" dia 1250lm 46deg*	C custom	347 347 V	BI bi-level dimming	+E(#) emergency circuit*	ST screw slot t-bar
CB20925(#) Fixed LED 1-3/4" dia 900lm 25deg*		UNV universal	O(#) other**	+NL(#) night light circuit*	TG9 tegular 9/16"
CB20934(#) Fixed LED 1-3/4" dia 900lm 34deg*		DC low voltage*	DPB(STC) dimming (0-10V) 1% with BIOS*	+GTD(#) generator transfer device*	TG15 tegular 15/16"
CB20946(#) Fixed LED 1-3/4" dia 900lm 46deg*			DPB(DYN) Bio-dimming™ 100%-81% with BIOS*	+LDI LED downlight insert	DF drywall flange
M16LED(#) MR16 LED lamp - Line voltage (by other)**			TW(#) tunable white drivers*		D drywall flangeless
M16LEDB(#) MR16 LED lamp - Dimmable (provided)***			POE(#) POE drivers*		DB slip-through bracket
					DS drywall spackle flange
					TX tx Hunter Douglas techstyle*
Available in luminaires with Axitune and BIOS but downlight will not be tunable white or BIOS LEDs.		* Only available with POE drivers.	*See page 2 to specify system **Please consult factory; see page 2	*Specify quantity	* TX available with flush lens only
*Available in 3000K. Consult factory for other CCT's; see page 4.					
**Specify quantity; Line wattage only; Separate circuits included.					
***Consult factory; See page 3 for more details; MR16 constant current for 0-10V & DALI only. Available in 3000K or 4000K.					

BATTERY (OPTIONAL)	OTHER (OPTIONAL)	IC CONTROLS (OPTIONAL)	CUSTOM (OPTIONAL)
B(#) battery pack 4' sections	EF end feed FW(#) flex whip (6' std) CP Chicago plenum HD hold down clip*	DS(#) daylight sensor OS(#) occupancy sensor DOS(#) daylight & occupancy sensor EN(#) Enlighted integral * ENR(#) Enlighted remote ** WC(#) wireless control dimming	C custom
Not available with 347V Please consult factory	* Only available for t-bar mounting	* For flush and regressed option only; Please consult factory ** Please consult factory Specify quantity. Requires 8" blank. For StepLens use remote sensors only See integrated controls guide for more details. Consult factory for Tunable White. Not available with DPB (DYN) driver for BIOS with Dynamic Spectrum.	Please specify

# Beam 4 | Recessed mount

## ● SPECIFICATIONS

### CONSTRUCTION

<b>Housing</b>	Extruded aluminum (0.075" nominal) Up to 70% recycled content
<b>Interior Brackets</b>	Die formed sheet steel (18 gauge)
<b>Reflectors</b>	White powder coated sheet steel (22 gauge)
<b>Blank</b>	Extruded aluminum (0.075" nominal)
<b>Lens</b>	Spotless frosted acrylic lens
<b>T-Bar Bracket</b>	Die formed sheet steel (16 gauge)
<b>Screw Slot T-Bar Bracket</b>	Die formed sheet steel (16 gauge)
<b>Slip-Through Bracket</b>	Die formed sheet steel (18 gauge)
<b>Spackle Flange</b>	Die formed perforated sheet steel (20 gauge)
<b>Flange</b>	Extruded aluminum (0.075" nominal) Visible flange width: 9/16"

## ● ELECTRICAL

<b>Lutron driver*</b>	LDE1 - Hi-lume 1% EcoSystem with Soft-on, Fade-to-Black LTEA - Hi-lume 1% 2-wire (120V forward phase only) *Consult factory
<b>Other drivers**</b>	DALI - Digital Addressable Lighting Interface DMX - Digital Multiplex Xitanium SR - For wireless sensor
<b>BIOS DPB drivers*</b>	STC - BIOS control 0-10V with static spectrum and BIOS SkyBlue enabled from 100% to 1%. DYN - BIOS control 0-10V with dynamic spectrum and BIOS SkyBlue® with Bio-Dimming™, which changes spectral qualities by removing the SkyBlue component when dimming from 100% to 81%, while light output remains relatively constant; bio-dimming reduces CCT to 2700K. Dimming from 80% to 1% will then reduce light output.
<b>Tunable White TW drivers*</b>	DALIDT6 - DALI Type 6 (Two DALI Addresses) DALIDT8 - DALI Type 8 (One DALI Address) LTTW - Lutron T-Series Tunable White
<b>Power over Ethernet POE drivers*</b>	MOLEX IGOR SMARTENGINE O - Other (Consult factory)
<b>Emergency</b>	Integral emergency battery pack or emergency circuit optional.
<b>Input Voltage</b>	120V, 277V, 347V, UNV, DC.
<b>Flex Whip</b>	Shipped in a separate box for contractors to install

\*Choose driver from available options.

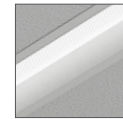
**i** Incorporating these components may have limitations or affect the length of the luminaire. Please contact factory for more details.

## ● DLC Approved Options

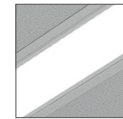


LUMEN OUTPUT	CRI	COLOR TEMP.	SHIELDING	LENGTH	VOLTAGE	DRIVER
400 lm/ft	80	3000 K	FL	4'	universal	DP
600 lm/ft		3500 K		8'		
800 lm/ft		4000 K		12'		
1000 lm/ft						

## ● OPTICS



RG regressed



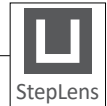
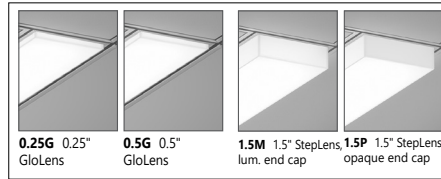
FL flush | UB Ultra Blend Lens

### ULTRA BLEND LENS

Frosted acrylic snap-in micro lens suitable for Tunable White and BIOS applications.

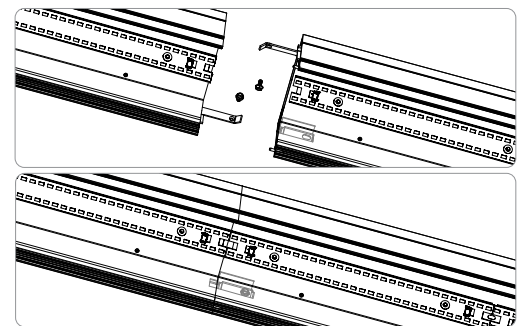
### SPOTLESS LENS

Frosted acrylic snap-in micro lens. Used for FL, RG, ASO, BW, NW, GZ and WW shielding options.



## ● JOINERS

In order to allow very long runs of BEAM 4 LED luminaires, Axis has developed a number of different joining systems. Special care has been taken to maximize the performance of the joiner for each BEAM 4 LED option.



JOINDER SYSTEM

**NOTE:** Hang each system segment individually. Do not assemble system prior to hanging.

## ● FINISHES

Powder coated and custom finishes are also available.



## ● SYSTEM (S#)

BEAM 4 LED linear systems, with the use of a strong profile, allow for a nearly hair thin connection system of continuous runs. Lengths of 4', 8', 12' as well as custom lengths are available. Runs of BEAM 4 LED that are greater than 12ft in length are designated as systems (S#). This means that the run is comprised of a combination of 4', 8' and/or 12' sections to be assembled on site using our joining system. For more information on systems and joining, please refer to the BEAM 4 LED installation sheets available for download at [www.axislighting.com](http://www.axislighting.com).

## ● WEIGHT

<b>Recessed LED 4ft</b>	14.5 lbs / 6.6 kg
<b>Recessed LED 8ft</b>	29.0 lbs / 13.2 kg
<b>Recessed LED 12ft</b>	43.5 lbs / 19.7 kg

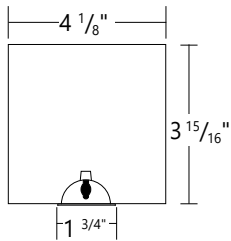
## ● APPROVALS

Certified to UL and CSA standards    
Meets NYC requirements  
Meets CCEC requirements (Chicago plenum)  
Suitable for damp locations  
IC Rated (Insulated ceiling)

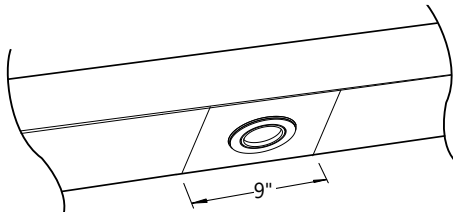
# Beam 4 | Recessed mount

## ● MR16 LED LAMPS

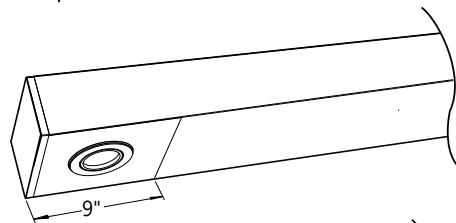
<b>Blank</b>	Extruded aluminum (0.075" nominal)
<b>MR16 LED</b>	Adjustable LED lamp (provided)
<b>MR16 LEDB</b>	Constant current LED lamp (provided)- Dimmable by control system for 0-10V & DALI only
<b>Quantity</b>	For every 4' section, there may be up to a maximum of 4 x MR16 LED lamps.
<b>Spacing</b>	Each MR16 is placed centered on a blank section 9" in length. Within a given section length, a series of downlights will be spaced evenly on a longer blank section. Custom spacing available on special request.



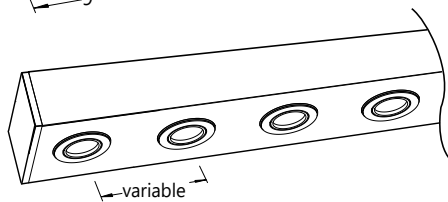
**Between sections**



**At luminaire ends**



**Several in a long blank section**

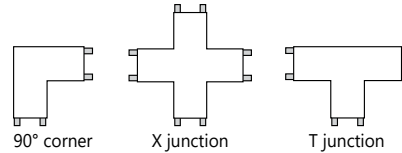
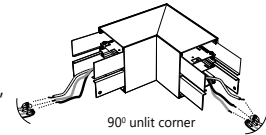


<b>Base Type</b>	GU 5.3
<b>Beam Angle</b>	40 nominal degrees
<b>Input Watts</b>	6W
<b>Nominal Lumens</b>	300 lumens
<b>Efficacy</b>	50 lumens per watt
<b>Color Rendering Index (CRI)</b>	85
<b>Center Beam Candle Power (CBCP)</b>	584 candelas
<b>Life</b>	25,000 hours at L <sub>70</sub>
<b>Correlated color temperature (CCT)</b>	3000K, 4000K
<b>Adjustability</b>	15° tilt

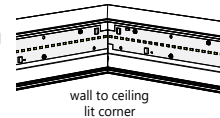
**i** More options are available upon request. Please consult factory.

## ● CORNERS

**Unlit Corners** - BEAM 4 LED features a multitude of layout patterns with the use of a number of corners, 90° corner, T or X junctions.



**Lit Corners** - Axis also offers lit 90° corners including ceiling to ceiling, wall to ceiling and ceiling to wall.



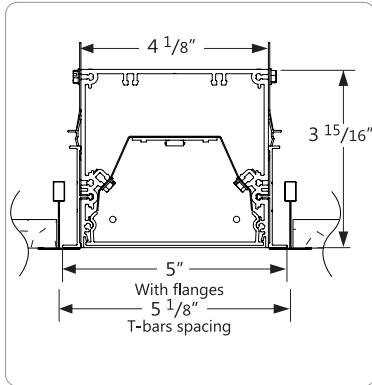
**i** For custom corner angles, please consult factory. Specifications sheets for all corners are available at: [www.axislighting.com](http://www.axislighting.com)  
\*For StepLens please consult factory.

## ● LED SYSTEM

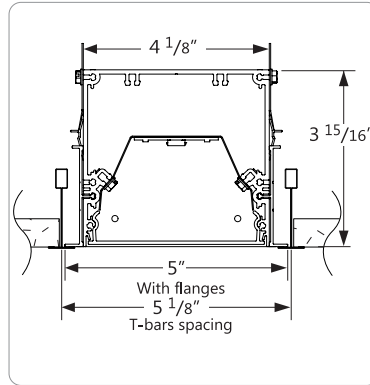
<b>CRI</b>	Minimum 80 or 90 color rendering index.
<b>CRI BIOS</b>	Minimum 80 color rendering index with R9>75 for all CCTs.
<b>CCT Single Color</b>	Choice of 2700K, 3000K, 3500K and 4000K color temperature with a great color consistency (within 3-step MacAdam ellipse). Both within fixture and fixture to fixture.
<b>CCT BIOS</b>	BIOS Static (STC) Choice of 3000K, 3500K and 4000K. BIOS SkyBlue® Dynamic (DYN) Choice of 3000K, 3500K, and 4000K with Bio-Dimming™ BIOS Tunable White (BTW) Choice of 4000-2700K and 3500-2700K; does not use a bio-dimmer, it uses TW drivers, which allow independent control of CCT and intensity; e.g., BTW4027 provides combined SkyBlue + white light at 4000K, SkyBlue is removed at 2700K. Light output can be adjusted for each CCT. <a href="#">Consult BIOS guide for more information on BIOS technology.</a>
<b>CCT Axitune Systems</b>	<a href="#">Consult Axitune technical sheet for more information on color technology.</a>
<b>LED life</b>	Minimum 50,000h with 85% of lumen maintenance in 25°C ambient temperature, in compliance with IES LM-80 testing measurements.
<b>Thermal Management</b>	Aluminum housing acting as the heat sink to maximize life.
<b>Environment</b>	Dry and damp rated in operating ambient temperatures of 0-40°C (32-104F).

# Beam 4 | Recessed mount

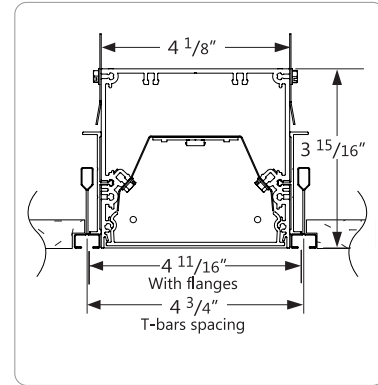
## ● TB CEILING MOUNTING OPTIONS



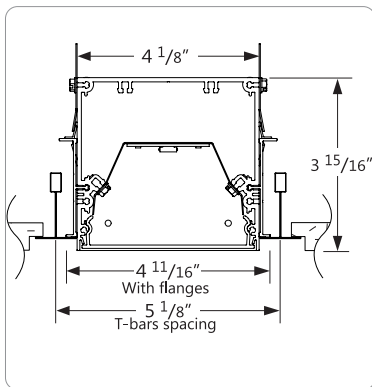
**TB15** 15/16" T-BAR



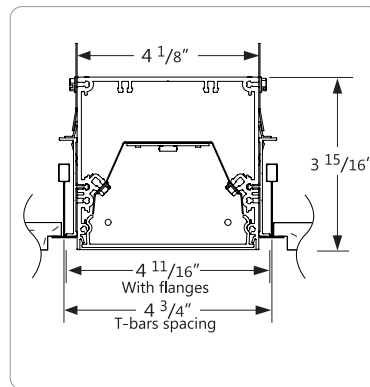
**TB9** 9/16" T-BAR



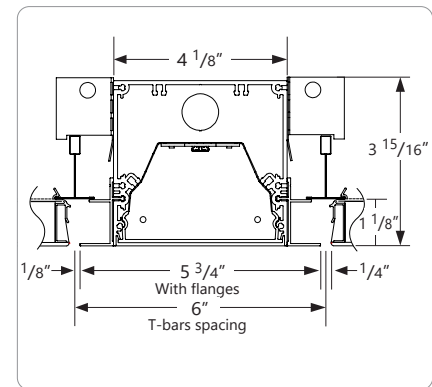
**ST** SCREW SLOT T-BAR



**TG15** 15/16" TEGULAR

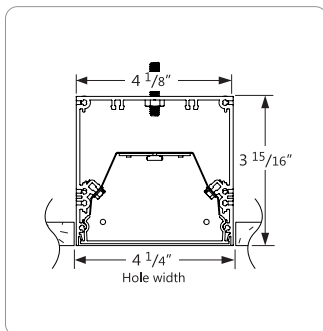


**TG9** 9/16" T-TEGULAR

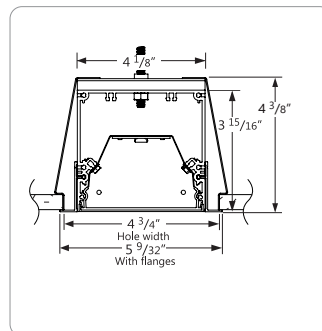


**TX** TX HUNTER DOUGLAS TECHSTYLE

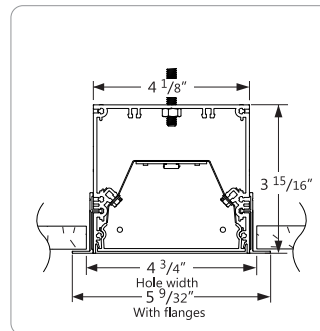
## ● DRYWALL CEILING MOUNTING OPTIONS



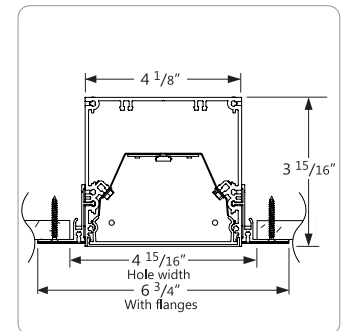
**D** FLANGELESS WITH 1/4-20 STUD MOUNTING



**DB** VISIBLE FLANGES WITH SLIP-THROUGH BRACKET



**DF** VISIBLE FLANGES WITH 1/4-20 STUD MOUNTING



**DS** SPACKLE FLANGES

## ● OTHER MOUNTING OPTIONS

BEAM 4 LED is also available with pendant, surface, wall and recessed wall mounted options.

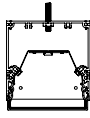
**i** Specification sheets and installation sheets for all mountings for BEAM 4 LED luminaires are available for download at [www.axislighting.com](http://www.axislighting.com)

# Beam 4 | Recessed mount

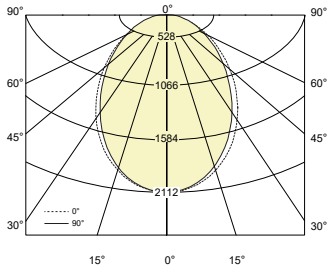
## ● PHOTOMETRIC DATA

**0.25G 0.25" Glo lens**

**1200 lm/ft**



### PHOTOMETRIC CURVE



**Lumen/ft: 1200 lm/ft**  
**Total Lumens: 4800 lm (for 4ft)**  
**Input Watts: 38.2 W**  
**Efficacy: 126 lm/W**

IES FILE: BBRLED-1200-80-35-0.25G-4.IES

TESTED ACCORDING TO IES LM-79-2008

### CANDELA DISTRIBUTION

Vertical Angle	Horizontal Angles				
	0	22.5	45	67.5	90
0	2112	2112	2112	2112	2112
5	2102	2102	2102	2101	2099
15	1996	1994	1982	1967	1958
25	1787	1779	1747	1710	1693
35	1497	1483	1436	1382	1357
45	1165	1152	1101	1045	1020
55	833	825	786	742	724
65	529	530	512	488	478
75	274	285	291	289	287
85	84	101	121	133	136
90	12	32	54	69	74

### ZONAL LUMENS

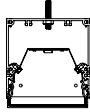
Zone	Lumens
0	
0-10	198
10-20	552
20-30	789
30-40	875
40-50	823
50-60	677
60-70	483
70-80	287
80-90	116
90	

### LUMINANCE DATA (cd/m<sup>2</sup>)

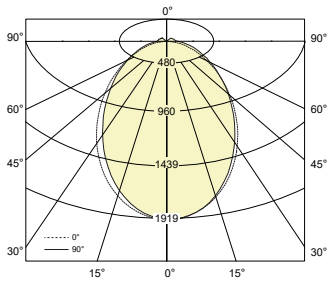
Vertical Angle	Horizontal Angles		
	0	45	90
45	13797	13039	12075
55	12164	11471	10562
65	10472	10139	9467
75	8862	9405	9281
85	8029	11617	13111

**0.5G 0.5" Glo lens**

**1200 lm/ft**



### PHOTOMETRIC CURVE



**Lumen/ft: 1200 lm/ft**  
**Total Lumens: 4799 lm (for 4ft)**  
**Input Watts: 38 W**  
**Efficacy: 126 lm/W**

IES FILE: BBRLED-1200-80-35-0.5G-4.IES

TESTED ACCORDING TO IES LM-79-2008

### CANDELA DISTRIBUTION

Vertical Angle	Horizontal Angles				
	0	22.5	45	67.5	90
0	1916	1916	1916	1916	1916
5	1908	1910	1910	1910	1911
15	1804	1809	1806	1799	1796
25	1606	1611	1600	1578	1568
35	1337	1344	1326	1300	1285
45	1037	1049	1036	1012	999
55	744	761	761	748	740
65	477	503	518	519	517
75	255	286	317	333	336
85	84	118	157	182	189
90	17	52	91	117	125

### ZONAL LUMENS

Zone	Lumens
0	
0-10	198
10-20	552
20-30	789
30-40	875
40-50	823
50-60	677
60-70	483
70-80	287
80-90	116
90	

### LUMINANCE DATA (cd/m<sup>2</sup>)

Vertical Angle	Horizontal Angles		
	0	45	90
45	12274	12268	11832
55	10855	11111	10796
65	9446	10252	10247
75	8246	10239	10868
85	8029	15113	18141

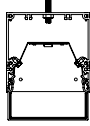
**i** All IES files are available for download at: [www.axislighting.com](http://www.axislighting.com)

# Beam 4 | Recessed mount

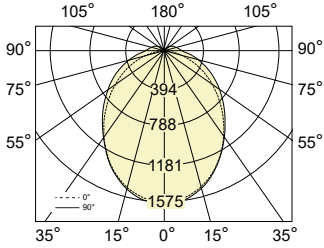
## ● PHOTOMETRIC DATA

**1.5M** 1.5" Step lens

**1200 lm/ft**



### PHOTOMETRIC CURVE



**Lumen/ft: 1200 lm/ft**  
**Total Lumens: 4800 lm (for 4ft)**  
**Input Watts: 37.1 W**  
**Efficacy: 129 lm/W**  
 IES FILE: BBRLED-1200-80-35-1.5M-4.IES

TESTED ACCORDING TO IES LM-79-2008

### CANDELA DISTRIBUTION

Vertical Angle	Horizontal Angles				
	0	22.5	45	67.5	90
0	1575	1575	1575	1575	1575
5	1567	1566	1567	1569	1570
15	1482	1487	1495	1498	1497
25	1320	1332	1345	1344	1343
35	1104	1129	1147	1155	1155
45	869	906	940	955	960
55	638	687	734	764	773
65	422	481	541	583	597
75	236	298	368	415	430
85	86	153	227	274	287
90	31	98	170	216	229

### ZONAL LUMENS

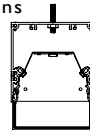
Zone	Lumens
0	
0-10	149
10-20	417
20-30	609
30-40	702
40-50	702
50-60	630
60-70	506
70-80	358
80-90	219
90	

### LUMINANCE DATA (cd/m<sup>2</sup>)

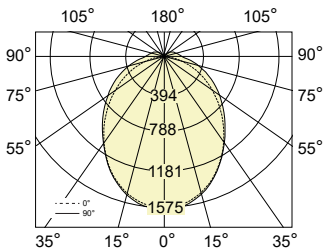
Vertical Angle	Horizontal Angles		
	0	45	90
45	10288	11130	11360
55	9312	10711	11286
65	8356	10716	11817
75	7628	11896	13893
85	8286	21778	27606

**1.5P** 1.5" Opaque Step lens

**1200 lm/ft**



### PHOTOMETRIC CURVE



**Lumen/ft: 1200 lm/ft**  
**Total Lumens: 4800 lm (for 4ft)**  
**Input Watts: 37.1 W**  
**Efficacy: 129 lm/W**  
 IES FILE: BBRLED-1200-80-35-1.5P-4.IES

TESTED ACCORDING TO IES LM-79-2008

### CANDELA DISTRIBUTION

Vertical Angle	Horizontal Angles				
	0	22.5	45	67.5	90
0	1575	1575	1575	1575	1575
5	1567	1566	1567	1569	1570
15	1482	1487	1495	1498	1497
25	1320	1332	1345	1344	1343
35	1104	1129	1147	1155	1155
45	869	906	940	955	960
55	638	687	734	764	773
65	422	481	541	583	597
75	236	298	368	415	430
85	86	153	227	274	287
90	31	98	170	216	229

### ZONAL LUMENS

Zone	Lumens
0	
0-10	149
10-20	417
20-30	609
30-40	702
40-50	702
50-60	630
60-70	506
70-80	358
80-90	219
90	

### LUMINANCE DATA (cd/m<sup>2</sup>)

Vertical Angle	Horizontal Angles		
	0	45	90
45	10288	11130	11360
55	9312	10711	11286
65	8356	10716	11817
75	7628	11896	13893
85	8286	21778	27606

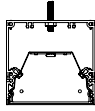
**i** All IES files are available for download at: [www.axislighting.com](http://www.axislighting.com)

# Beam 4 | Recessed mount

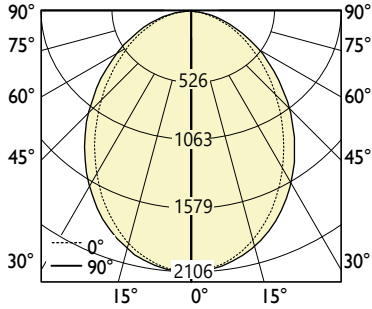
## ● PHOTOMETRIC DATA

**FL** Flush lens

**1200 lm/ft**



**PHOTOMETRIC CURVE**



**Lumen/ft: 1200 lm/ft**  
**Total Lumens: 4800 lm (for 4ft)**  
**Input Watts: 38.7 W**  
**Efficacy: 124 lm/W**

IES FILE: BBRLED-1200-80-35-FL-4.IES

TESTED ACCORDING TO IES LM-79-2008

**CANDELA DISTRIBUTION**

Vertical Angle	Horizontal Angles				
	0	22.5	45	67.5	90
0	2106	2106	2106	2106	2106
5	2096	2093	2091	2089	2088
15	1989	1983	1969	1953	1945
25	1781	1767	1737	1702	1686
35	1495	1478	1434	1386	1364
45	1171	1155	1108	1056	1033
55	845	833	793	748	730
65	542	536	509	478	465
75	283	283	272	258	252
85	84	85	84	80	79
90	6	7	7	7	7

**ZONAL LUMENS**

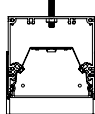
Zone	Lumens
0	
0-10	198
10-20	551
20-30	791
30-40	884
40-50	838
50-60	692
60-70	488
70-80	275
80-90	84
90	

**LUMINANCE DATA (cd/m<sup>2</sup>)**

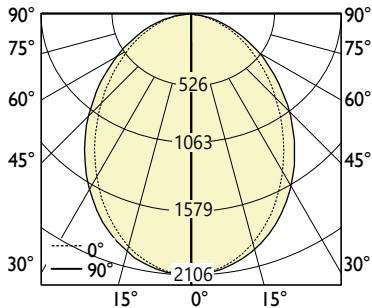
Vertical Angle	Horizontal Angles		
	0	45	90
45	13867	13117	12235
55	12338	11567	10649
65	10740	10085	9212
75	9146	8792	8142
85	8065	8042	7592

**RG** Regressed lens

**1200 lm/ft**



**PHOTOMETRIC CURVE**



**Lumen/ft: 1200 lm/ft**  
**Total Lumens: 4800 lm (for 4ft)**  
**Input Watts: 38.7 W**  
**Efficacy: 124 lm/W**

IES FILE: BBRLED-1200-80-35-RG-4.IES

TESTED ACCORDING TO IES LM-79-2008

**CANDELA DISTRIBUTION**

Vertical Angle	Horizontal Angles				
	0	22.5	45	67.5	90
0	2106	2106	2106	2106	2106
5	2096	2093	2091	2089	2088
15	1989	1983	1969	1953	1945
25	1781	1767	1737	1702	1686
35	1495	1478	1434	1386	1364
45	1171	1155	1108	1056	1033
55	845	833	793	748	730
65	542	536	509	478	465
75	283	283	272	258	252
85	84	85	84	80	79
90	6	7	7	7	7

**ZONAL LUMENS**

Zone	Lumens
0	
0-10	198
10-20	551
20-30	791
30-40	884
40-50	838
50-60	692
60-70	488
70-80	275
80-90	84
90	

**LUMINANCE DATA (cd/m<sup>2</sup>)**

Vertical Angle	Horizontal Angles		
	0	45	90
45	13867	13117	12235
55	12338	11567	10649
65	10740	10085	9212
75	9146	8792	8142
85	8065	8042	7592

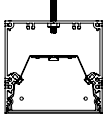
**i** All IES files are available for download at: [www.axislighting.com](http://www.axislighting.com)

# Beam 4 | Recessed mount

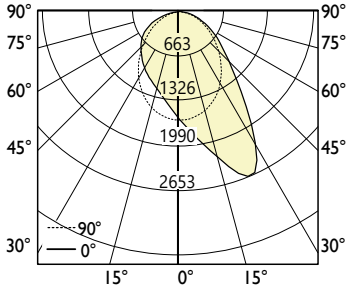
## ● PHOTOMETRIC DATA

**WW** Wallwash lens

1000 lm/ft



### PHOTOMETRIC CURVE



### CANDELA DISTRIBUTION

Vertical Angle	Horizontal Angles				
	0	22.5	45	67.5	90
0	1608	1608	1608	1608	1608
5	1599	1672	1738	1786	1783
15	1507	1737	1999	2212	2261
25	1324	1727	2250	2574	2638
35	1078	1582	2048	1830	1721
45	812	1256	1401	1089	1026
55	563	849	857	692	676
65	349	496	492	417	415
75	169	225	223	196	198
85	30	41	44	39	44
90	2	2	2	2	4

### ZONAL LUMENS

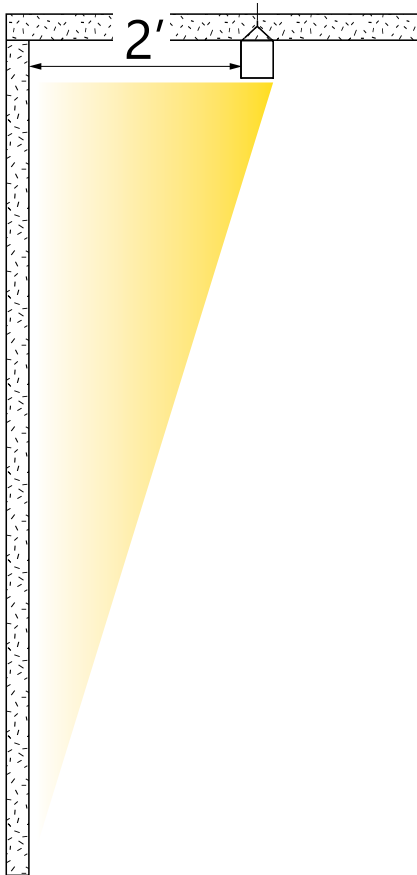
Zone	Lumens
0	
0-10	154
10-20	462
20-30	742
30-40	832
40-50	747
50-60	599
60-70	419
70-80	220
80-90	52
90	

### LUMINANCE DATA (cd/m²)

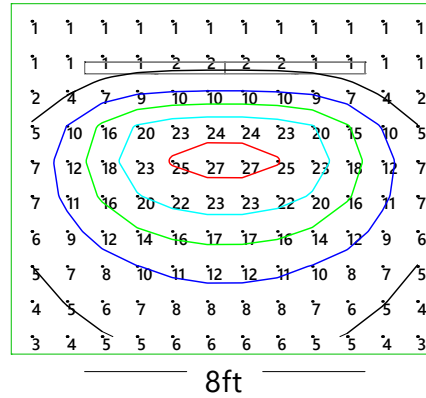
Vertical Angle	Horizontal Angles		
	0	45	90
45	9406	16231	11891
55	8037	12238	9662
65	6763	9532	8052
75	5338	7059	6258
85	2803	4134	4099

**Lumen/ft: 1000 lm/ft**  
**Total Lumens: 4227 lm (for 4ft)**  
**Input Watts: 38 W**  
**Efficacy: 111 lm/W**  
 IES FILE: BBRLED-1000-80-35-WW-4.IES

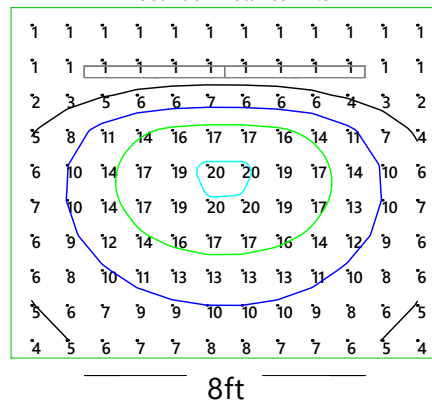
TESTED ACCORDING TO IES LM-79-2008



2ft Front View - Point by Point on Wall  
Set Back Distance - 2 FT



2.5ft Front View - Point by Point on Wall  
Set Back Distance - 2.5 FT



**i** All IES files are available for download at: [www.axislighting.com](http://www.axislighting.com)

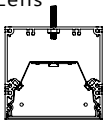


# Beam 4 | Recessed mount

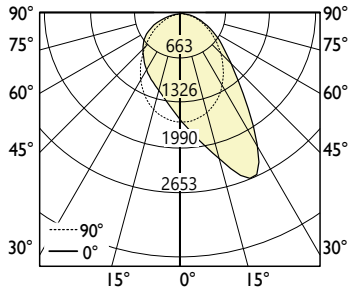
## ● PHOTOMETRIC DATA

### ASO Asymmetric Lens

1000 lm/ft



### PHOTOMETRIC CURVE



**Lumen/ft: 1000 lm/ft**  
**Total Lumens: 4227 lm (for 4ft)**  
**Input Watts: 38 W**  
**Efficacy: 111 lm/W**  
 IES FILE: BBRLED-1000-80-35-ASO-4.IES

TESTED ACCORDING TO IES LM-79-2008

### CANDELA DISTRIBUTION

Vertical Angle	Horizontal Angles				
	0	22.5	45	67.5	90
0	1608	1608	1608	1608	1608
5	1599	1672	1738	1786	1783
15	1507	1737	1999	2212	2261
25	1324	1727	2250	2574	2638
35	1078	1582	2048	1830	1721
45	812	1256	1401	1089	1026
55	563	849	857	692	676
65	349	496	492	417	415
75	169	225	223	196	198
85	30	41	44	39	44
90	2	2	2	2	4

### ZONAL LUMENS

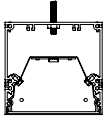
Zone	Lumens
0	
0-10	154
10-20	462
20-30	742
30-40	832
40-50	747
50-60	599
60-70	419
70-80	220
80-90	52
90	

### LUMINANCE DATA (cd/m<sup>2</sup>)

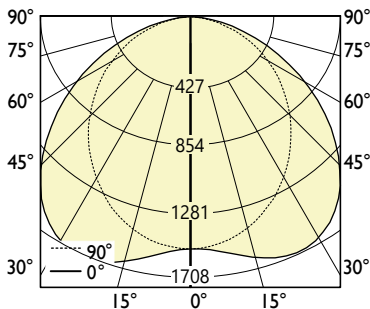
Vertical Angle	Horizontal Angles		
	0	45	90
45	9406	16231	11891
55	8037	12238	9662
65	6763	9532	8052
75	5338	7059	6258
85	2803	4134	4099

### BW Batwing lens

1200 lm/ft



### PHOTOMETRIC CURVE



**Lumen/ft: 1200 lm/ft**  
**Total Lumens: 4800 lm (for 4ft)**  
**Input Watts: 39.2 W**  
**Efficacy: 122 lm/W**  
 IES FILE: BBRLED-1200-80-35-BW-4.IES

TESTED ACCORDING TO IES LM-79-2008

### CANDELA DISTRIBUTION

Vertical Angle	Horizontal Angles				
	0	22.5	45	67.5	90
0	1395	1395	1395	1395	1395
5	1388	1383	1388	1395	1399
15	1317	1333	1413	1493	1525
25	1183	1246	1435	1590	1642
35	1011	1117	1386	1566	1614
45	823	945	1240	1400	1430
55	627	736	1005	1117	1123
65	425	504	705	762	747
75	226	270	379	396	382
85	49	66	99	103	98
90	4	7	11	12	12

### ZONAL LUMENS

Zone	Lumens
0	
0-10	135
10-20	410
20-30	667
30-40	848
40-50	903
50-60	817
60-70	606
70-80	330
80-90	83
90	

### LUMINANCE DATA (cd/m<sup>2</sup>)

Vertical Angle	Horizontal Angles		
	0	45	90
45	9742	14682	16931
55	9152	14668	16386
65	8413	13972	14806
75	7303	12259	12345
85	4741	9556	9394

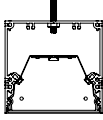
**i** All IES files are available for download at: [www.axislighting.com](http://www.axislighting.com)

# Beam 4 | Recessed mount

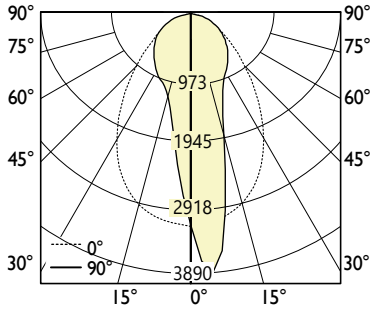
## ● PHOTOMETRIC DATA

### GZ Graze lens

1000 lm/ft



### PHOTOMETRIC CURVE



**Lumen/ft: 1000 lm/ft**  
**Total Lumens: 4286 lm (for 4ft)**  
**Input Watts: 37.6 W**  
**Efficacy: 114 lm/W**

IES FILE: BBRLED-1000-80-35-GZ-4.IES

TESTED ACCORDING TO IES LM-79-2008

### CANDELA DISTRIBUTION

Vertical Angle	Horizontal Angles				
	0	22.5	45	67.5	90
0	3198	3198	3198	3198	3198
5	3160	3529	3781	3876	3890
15	2981	3569	2861	2211	1935
25	2553	2656	1559	1223	1149
35	1895	1742	1046	964	952
45	1220	1133	790	785	780
55	719	709	575	595	601
65	404	412	372	403	418
75	185	193	184	212	225
85	35	39	40	51	48
90	2	2	2	2	2

### ZONAL LUMENS

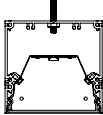
Zone	Lumens
0	
0-10	286
10-20	633
20-30	736
30-40	747
40-50	678
50-60	552
60-70	391
70-80	210
80-90	52
90	

### LUMINANCE DATA (cd/m<sup>2</sup>)

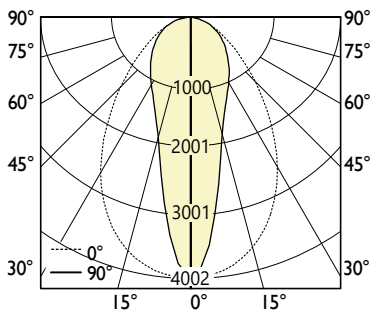
Vertical Angle	Horizontal Angles		
	0	45	90
45	14136	9150	9034
55	10274	8220	8582
65	7825	7207	8103
75	5871	5834	7129
85	3302	3798	4525

### NW Narrow lens

1000 lm/ft



### PHOTOMETRIC CURVE



**Lumen/ft: 1000 lm/ft**  
**Total Lumens: 4260 lm (for 4ft)**  
**Input Watts: 39.1 W**  
**Efficacy: 109 lm/W**

IES FILE: BBRLED-1000-80-35-NW-4.IES

TESTED ACCORDING TO IES LM-79-2008

### CANDELA DISTRIBUTION

Vertical Angle	Horizontal Angles				
	0	22.5	45	67.5	90
0	4002	4002	4002	4002	4002
5	3960	3903	3669	3459	3261
15	3606	2962	2108	1737	1600
25	2877	1986	1334	1199	1171
35	1971	1339	1004	988	982
45	1200	914	766	783	789
55	682	596	548	584	602
65	376	357	350	390	412
75	173	172	174	203	215
85	34	36	38	49	48
90	2	2	2	2	2

### ZONAL LUMENS

Zone	Lumens
0	
0-10	317
10-20	645
20-30	744
30-40	746
40-50	663
50-60	529
60-70	369
70-80	197
80-90	49
90	

### LUMINANCE DATA (cd/m<sup>2</sup>)

Vertical Angle	Horizontal Angles		
	0	45	90
45	13901	8881	9137
55	9736	7827	8605
65	7293	6782	7978
75	5491	5509	6797
85	3166	3617	4467

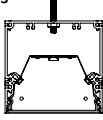
**i** All IES files are available for download at: [www.axislighting.com](http://www.axislighting.com)

# Beam 4 | Recessed mount

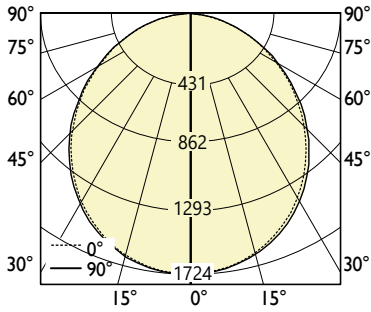
## ● PHOTOMETRIC DATA

**UB** Ultra blend lens

1200 lm/ft



### PHOTOMETRIC CURVE



**Lumen/ft: 1200 lm/ft**  
**Total Lumens: 4800 lm (for 4ft)**  
**Input Watts: 41.5 W**  
**Efficacy: 116 lm/W**

IES FILE: BBRLED-1200-80-35-UB-4.IES

TESTED ACCORDING TO IES LM-79-2008

### CANDELA DISTRIBUTION

Vertical Angle	Horizontal Angles				
	0	22.5	45	67.5	90
0	1724	1724	1724	1724	1724
5	1718	1719	1721	1721	1721
15	1651	1655	1659	1659	1659
25	1522	1528	1532	1532	1530
35	1338	1346	1350	1349	1347
45	1116	1125	1128	1125	1123
55	864	874	877	874	872
65	594	604	609	608	606
75	327	338	345	346	346
85	102	109	115	116	116
90	9	13	16	15	15

### ZONAL LUMENS

Zone	Lumens
0	
0-10	163
10-20	464
20-30	695
30-40	827
40-50	846
50-60	754
60-70	569
70-80	335
80-90	105
90	

### LUMINANCE DATA (cd/m<sup>2</sup>)

Vertical Angle	Horizontal Angles		
	0	45	90
45	13211	13360	13290
55	12607	12803	12720
65	11766	12064	12006
75	10583	11168	11183
85	9829	11021	11133

**i** All IES files are available for download at: [www.axislighting.com](http://www.axislighting.com)