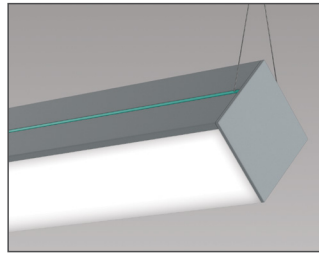


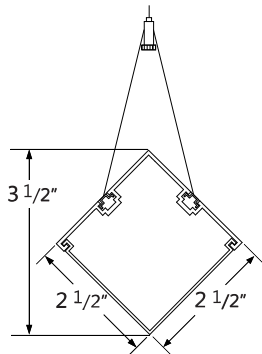
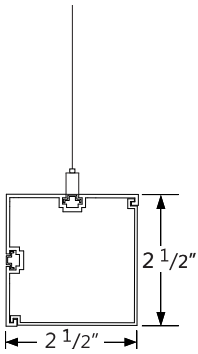
90 Deg



45 Deg



Shown with groove finish



Project _____

Type _____

Notes _____



CONTROL SENSORS

Ordering Guide

ED2			UB				
PRODUCT ID	NOM. LUMENS/FT	CRI	COLOR TEMP.	SHIELDING	LENGTH	FINISH	
ED2 Edge 2 Pendant Direct LED	400 400 lm/ft - Min	80 80 CRI	27 2700 K	UB Ultra Blend Lens	2 2'	AP aluminum paint W white BLK black C custom	
	1000 1000 lm/ft - Max	90 90 CRI	30 3000 K		3 3'		
			35 3500 K		4 4'		
			40 4000 K		5 5'		
					6 6'		
					7 7'		
					8 8'		
					12 12'		
					S# system run		
Outputs between listed min and max are available. Consult factory for outputs outside of the listed range.			For all other lengths and related outputs, please consult factory.				

GROOVE FINISH	VOLTAGE	DRIVER	CIRCUITS	MOUNTING POSITION
AP aluminum paint	120 120 V	DP dimming (0-10V) 1% - integral*	1 1 circuit	90D 90 deg
W white	277 277 V	LT Lutron-remote ⁽¹⁾ - remote**	2 2 circuits	45D 45 deg
BLK black	347 347 V*	BI bi-level dimming - remote**	+E(#) emergency circuit ⁽³⁾	
C custom	UNV universal	O other ⁽²⁾ - remote*		
See page 2 for more details	* Remote driver only.	* Not available with 347V ** Remote driver (1) Specify system. Remote only. (2) Please consult factory; see page 2	(3) Specify quantity	

MOUNTING/SUSPENSION	END CAP	BATTERY - REMOTE (OPTIONAL)	OTHER (OPTIONAL)	IC CONTROLS (OPTIONAL)	CUSTOM (OPTIONAL)
CA(#) drywall+cable length (36" std.)	FL flat standard	B# remote battery pack	F fuse	DS# daylight sensor	C custom
CT9(#) TB/TG 9/16+cable length (36" std.)				OS# occupancy sensor	
CT15(#) TB/TG15/16+cable length (36" std.)				DOS# daylight & occupancy sensor	
SA(#) drywall+stem length >48" (18" std.)				ENR# Enlighted remote ⁽⁴⁾	
White canopy standard		Remote only	Requires 120V or 277V	WC# wireless control dimming	Please specify
				(4) Please consult factory Specify quantity. Requires 8" blank See pages 5-6 for more details	

● SPECIFICATIONS

CONSTRUCTION

Housing	Extruded aluminum (0.075" nominal) Up to 70% recycled content
End Cap	Cast aluminum
Interior Brackets	Die formed sheet steel (20 gauge)
Reflectors	White powder coated sheet steel (22 gauge)
Lenses	Extruded acrylic (0.070" nominal)

● ELECTRICAL

Mini driver	EDGE 2 features integral mini driver technology. 0-10V dimming standard.
Emergency	Remote emergency battery pack or emergency circuit optional.
Input Voltage	120V, 277V, 347V, UNV.

i Incorporating these components may have limitations or effect the length of the luminaire, please contact factory for more details.

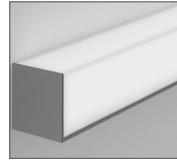
● LED SYSTEM

CRI	Minimum 80 or 90 color rendering index.
CCT	Choice of 2700K, 3000K, 3500K and 4000K color temperature with a great color consistency (within 3-step MacAdam ellipse). Both within fixture and fixture to fixture.
LED life	Minimum 50,000h with 85% of lumen maintenance in 25°C ambient temperature, in compliance with IES LM-80 testing measurements.
Thermal Management	Aluminum housing acting as the heat sink to maximize life.
Environment	Dry and damp rated in operating ambient temperatures of 0-40°C (32-104F).

● WEIGHT

Direct 4 ft	4.7 lbs / 2.1 kg
Direct 8 ft	9.2 lbs / 4.2 kg
Direct 12 ft	13.9 lbs / 6.3 kg

● OPTICS



UB Ultra Blend Lens

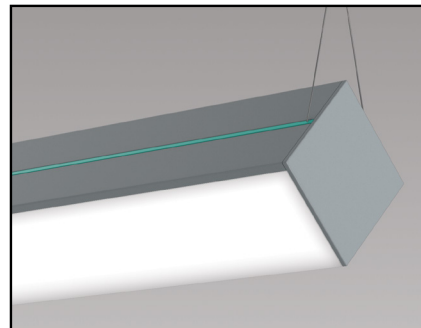
● SYSTEM (S#)

EDGE 2 linear systems, with the use of a strong profile, allow for a nearly hair thin connection system of continuous runs. Lengths of 2', 3', 4', 8', 12' as well as custom lengths are available. Runs of EDGE 2 that are greater than 12' in length are designated as systems (S#). This means that the run is comprised of a combination of 4', 8' and/or 12' sections to be assembled on site using our joining system. For more information on systems and joining, please refer to the EDGE 2 installation sheets available for download at www.axislighting.com.

● WARRANTY

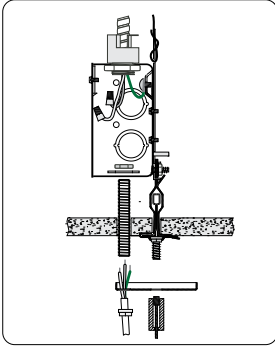
Axis Lighting will warrant defective LEDs, boards, and drivers for 5 years from date of purchase. Warranty is valid if luminaire is installed and used according to specifications. If defective, Axis will send replacement boards or drivers at no cost along with detailed replacement instructions and instructions on how to return defective components to Axis.

● GROOVE FINISH

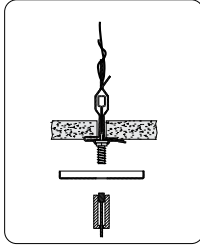


● MOUNTING OPTIONS

CT TILE CEILING - ON GRID

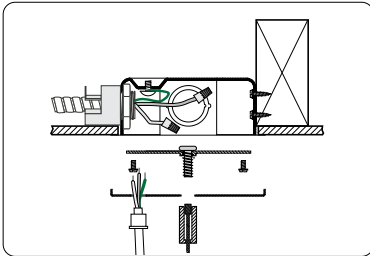


Power feed

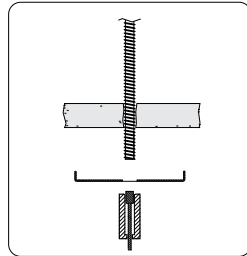


Non power feed

CA DRYWALL CEILING

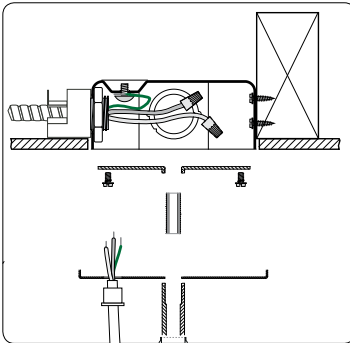


Power feed

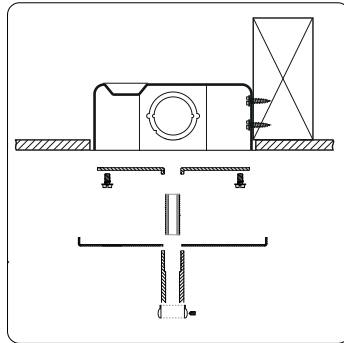


Non power feed

SA STEM MOUNT IN DRYWALL CEILING



Power feed



Non power feed

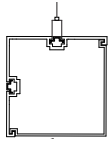
● OTHER MOUNTING OPTIONS

EDGE 2 is also available as Surface or Wall Mount.

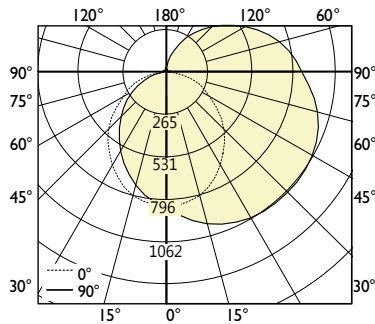
- i** Specification sheets and installation sheets for all mountings for EDGE 2 luminaires are available for download at www.axislighting.com.

PHOTOMETRIC DATA

90 Degrees - 1000 lm/ft



PHOTOMETRIC CURVE



Lumen/ft: 1000 lm/ft
Total Lumens: 4212 lm (for 4ft)
Input Watts: 32.7 W
Efficacy: 131 lm/W
 IES FILE: ED2-1000-80-35-UB-4-90D.IES

TESTED ACCORDING TO IES LM-79-2008
 80 CRI shown. To calculate watts and efficacy at 90 CRI, apply a multiplier of 0.8.

CANDELA DISTRIBUTION

Vertical Angle	Horizontal Angles				
	0	22.5	45	67.5	90
0	843	843	843	843	843
5	830	849	868	882	889
15	795	852	911	953	975
25	718	813	919	998	1029
35	614	749	900	1011	1056
45	510	660	855	1004	1062
55	380	566	789	979	1056
65	266	457	718	935	1029
75	164	353	626	869	975
85	55	269	542	780	889
90	2	242	510	741	843
95	18	221	483	709	813
105	29	195	440	642	730
115	17	174	382	554	624
125	14	149	318	453	510
135	18	112	254	356	399
145	7	82	187	263	297
155	13	59	118	168	196
165	20	36	66	91	105
175	28	30	32	34	36
180	32	32	32	32	32

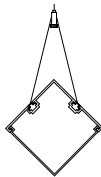
ZONAL LUMENS

Zone	Lumens
0	
0-10	80
10-20	232
20-30	359
30-40	444
40-50	487
50-60	486
60-70	449
70-80	382
80-90	306
90-100	257
100-110	224
110-120	180
120-130	135
130-140	92
140-150	55
150-160	29
160-170	12
180	3

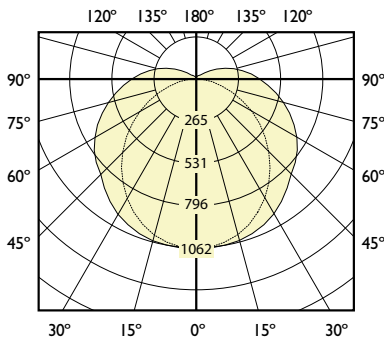
LUMINANCE DATA (cd/m²)

Vertical Angle	Horizontal Angles		
	0	45	90
45	9861	11208	12426
55	8921	11123	12940
65	8290	11302	13676
75	7939	11562	14633
85	6478	12587	15875

45 Degrees - 1000 lm/ft



PHOTOMETRIC CURVE



Lumen/ft: 1000 lm/ft
Total Lumens: 4206 lm (for 4ft)
Input Watts: 32.16 W
Efficacy: 131 lm/W
 IES FILE: ED2-1000-80-35-UB-4-45D.IES

TESTED ACCORDING TO IES LM-79-2008
 80 CRI shown. To calculate watts and efficacy at 90 CRI, apply a multiplier of 0.8.

CANDELA DISTRIBUTION

Vertical Angle	Horizontal Angles				
	0	22.5	45	67.5	90
0	1062	1062	1062	1062	1062
5	1055	1056	1057	1059	1061
15	1008	1014	1026	1039	1046
25	919	932	961	992	1006
35	795	815	863	913	936
45	647	671	737	807	843
55	485	517	608	730	775
65	321	367	518	636	678
75	170	259	421	530	567
85	50	173	324	421	454
90	2	133	276	369	399
95	2	95	229	318	347
105	2	31	133	220	247
115	3	3	57	118	145
125	4	4	7	47	69
135	4	4	4	18	32
145	3	3	3	14	25
155	2	2	2	10	18
165	1	1	1	6	11
175	0	0	0	2	4
180	0	0	0	0	0

ZONAL LUMENS

Zone	Lumens
0	
0-10	101
10-20	290
20-30	443
30-40	541
40-50	573
50-60	557
60-70	501
70-80	417
80-90	320
90-100	223
100-110	135
110-120	64
120-130	23
130-140	9
140-150	5
150-160	3
160-170	1
180	0

LUMINANCE DATA (cd/m²)

Vertical Angle	Horizontal Angles		
	0	45	90
45	12503	9661	9867
55	11395	8566	9501
65	10010	8152	9010
75	8230	7785	8505
85	5801	7508	8102