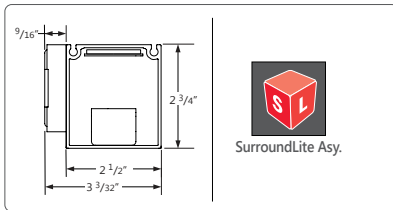


Spotless Lens



Project _____

Type _____

Notes _____

PERFORMANCE PER LINEAR FOOT AT 3500K

NOMINAL LUMEN OUTPUT	INPUT WATTS*	EFFICACY	SHIELDING
1100 lm/ft	9.3 W/ft	118 lm/W	SLA

Please consult factory for custom lumen output and wattage.



Ordering Guide

B2SQWILED		NOM. LUMENS/FT		CRI		COLOR TEMP. (choose one)		SHIELDING			
PRODUCT ID		NOM. LUMENS/FT		CRI		COLOR TEMP. (choose one)		SHIELDING			
B2SQWILED	Wall Indirect LED	300	300 lm/ft - Minimum	80	80 CRI	27	2700 K	TW2750	2700-5000 K - Tunable White	SLA	SurroundLite asymmetric
		1100	1100 lm/ft - Maximum	90	90 CRI*	30	3000 K	TW2765	2700-6500 K - Tunable White		
						35	3500 K	BTW3527	3500-2700 K - Tunable BIOS		
						40	4000 K	BTW4027	4000-2700 K - Tunable BIOS		
						B30	3000 K - BIOS*				
				B35	3500 K - BIOS*						
				B40	4000 K - BIOS*						
Outputs between listed min and max are available. Consult factory for outputs outside of the listed range. Consult factory for max output with BIOS.				* Not available with BIOS.		Consult Axitune technical sheet for more information of color technology. *Consult BIOS guide for more information on BIOS technology					

LENGTH		FINISH		VOLTAGE		DRIVER		CIRCUITS	
2	2'	AP	aluminum paint	120	120 V	DP	dimming (0-10V) 1%	1	1 circuit
3	3'	W	white	277	277 V	LT(#)	Lutron*	2	2 circuits
4	4'	BLK	black	347	347 V	BI	bi-level dimming	+E(#)	emergency circuit*
5	5'	C	custom	UNV	universal	O(#)	other**	+NL(#)	night light circuit*
6	6'			DC	low voltage*	DPB(STC)	dimming (0-10V) 1% with BIOS*	+GTD(#)	generator transfer device*
8	8'					DPB(DYN)	Bio-dimming™ 100%-81% with BIOS*	+M	MR
12	12'					TW(#)	tunable white drivers*		
S(L)	system run *					POE(#)	POE drivers*		
*SurroundLite available in 1' increments only				* Only available with POE drivers.		*See page 2 to specify system **Please consult factory; see page 2		*Specify quantity	

BATTERY (OPTIONAL)		OTHER (OPTIONAL)		IC CONTROLS (OPTIONAL)		CUSTOM (OPT.)	
B(#)	battery pack (integral)	F	fuse	DS(#)	daylight sensor	C	custom
				OS(#)	occupancy sensor		
				DOS(#)	daylight & occupancy sensor		
				EN(#)	Enlighted integral*		
				ENR(#)	Enlighted remote*		
				WC(#)	wireless control dimming		
Requires 120V or 277V Minimum 4ft; please consult factory		Requires 120V or 277V		*Please consult factory Specify quantity. Requires 8" blank See integrated controls guide for more details. Consult factory for Tunable White. Not available with DPB (DYN) driver for BIOS with Dynamic Spectrum.		Please specify	

● **SPECIFICATIONS**

CONSTRUCTION

Housing	Extruded aluminum (0.075" nominal) Up to 70% recycled content
End Cap	Cast aluminum
Interior Brackets	Die formed sheet steel (20 gauge)
Reflectors	White powder coated sheet steel (22 gauge)

● **ELECTRICAL**

Lutron driver*	LDE1 - Hi-lume 1% EcoSystem with Soft-on, Fade-to-Black LTEA - Hi-lume 1% 2-wire (120V forward phase only) *Consult factory
Other drivers**	DALI - Digital Addressable Lighting Interface DMX - Digital Multiplex Xitanium SR - For wireless sensor
BIOS DPB drivers*	STC - BIOS control 0-10V with static spectrum and BIOS SkyBlue enabled from 100% to 1%. DYN - BIOS control 0-10V with dynamic spectrum and BIOS SkyBlue® with Bio-Dimming™, which changes spectral qualities by removing the SkyBlue component when dimming from 100% to 81%, while light output remains relatively constant; bio-dimming reduces CCT to 2700K. Dimming from 80% to 1% will then reduce light output.
Tunable White TW drivers*	DALIDT6 - DALI Type 6 (Two DALI Addresses) DALIDT8 - DALI Type 8 (One DALI Address) LTTW - Lutron T-Series Tunable White
Power over Ethernet POE drivers* UL2108 certified for integral or remote driver	MOLEX IGOR SMARTENGINE O - Other (Consult factory)
Emergency	Integral emergency battery pack or emergency circuit optional.
Input Voltage	120V, 277V, 347V, UNV, DC.
Flex Whip	Shipped in a separate box for contractors to install

*Choose driver from available options.

i Incorporating these components may have limitations or affect the length of the luminaire. Please contact factory for more details.

● **SYSTEM (S#)**

BEAM2 SQUARE linear systems, with the use of a strong profile, allow for a nearly hair thin connection system of continuous runs. Lengths of 4', 8', 12' as well as custom lengths in 1' increments are available. Runs of BEAM2 SQUARE that are greater than 12' in length are designated as systems (S#). This means that the run is comprised of a combination of 4', 8' and/or 12' sections to be assembled on site using our joining system. For more information on systems and joining, please refer to the BEAM installation sheets available for download at www.axislighting.com.

● **WARRANTY**

Axis Lighting will warrant defective LEDs, boards, and drivers for 5 years from date of purchase. Warranty is valid if luminaire is installed and used according to specifications. If defective, Axis will send replacement boards or drivers at no cost along with detailed replacement instructions and instructions on how to return defective components to Axis.

● **LED SYSTEM**

CRI	Minimum 80 or 90 color rendering index.
CRI BIOS	Minimum 80 color rendering index with R9>75 for all CCTs.
CCT Single Color	Choice of 2700K, 3000K, 3500K and 4000K color temperature with a great color consistency (within 3-step MacAdam ellipse). Both within fixture and fixture to fixture.
CCT BIOS	BIOS Static (STC) Choice of 3000K, 3500K and 4000K. BIOS SkyBlue® Dynamic (DYN) Choice of 3000K, 3500K, and 4000K with Bio-Dimming™ BIOS Tunable White (BTW) Choice of 4000-2700K and 3500-2700K; does not use a bio-dimmer, it uses TW drivers, which allow independent control of CCT and intensity; e.g., BTW4027 provides combined SkyBlue + white light at 4000K, SkyBlue is removed at 2700K. Light output can be adjusted for each CCT. Consult BIOS guide for more information on BIOS technology.
CCT Axitune Systems	Consult Axitune technical sheet for more information on color technology.
LED life	Minimum 50,000h with 85% of lumen maintenance in 25°C ambient temperature, in compliance with IES LM-80 testing measurements.
Thermal Management	Aluminum housing acting as the heat sink to maximize life.
Environment	Dry and damp rated in operating ambient temperatures of 0-40°C (32-104F).

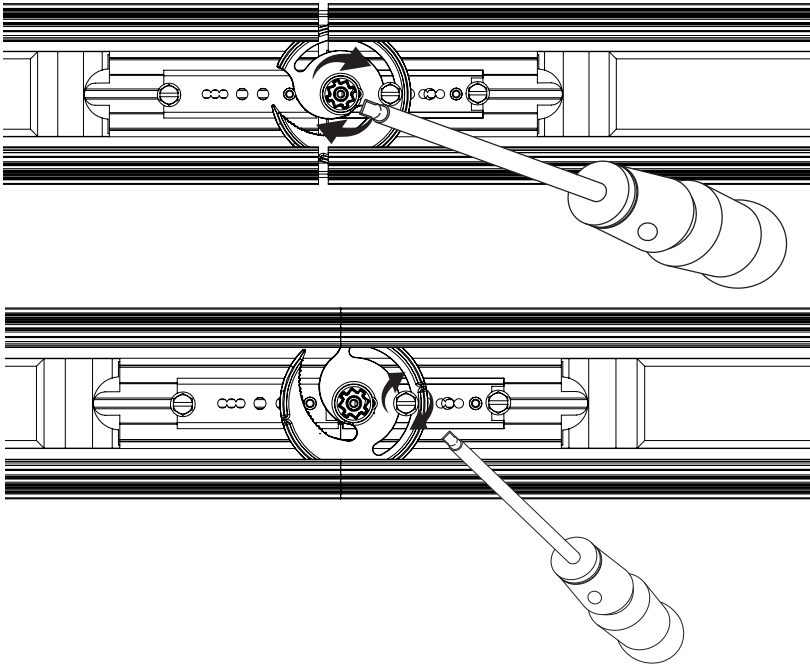
● InstaJoiner

BEAM2 SQUARE SurroundLite luminaires feature InstaJoiner, a unique, patent-pending joining system developed by Axis offering fast, single-screw tightening.

NOTE: Mount each system segment individually.

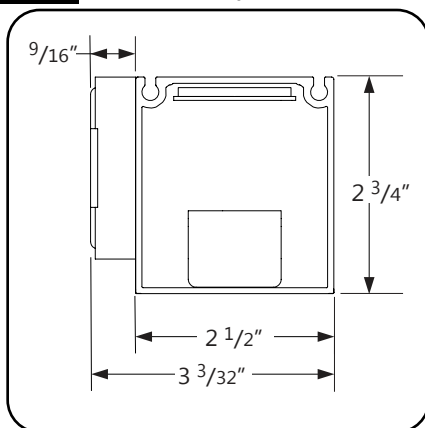
Do not assemble system prior to mounting

i Allow a minimum of 6" between end of long runs and wall.

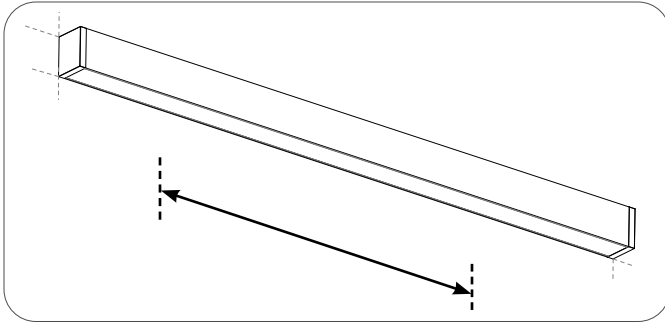


● SECTION VIEWS

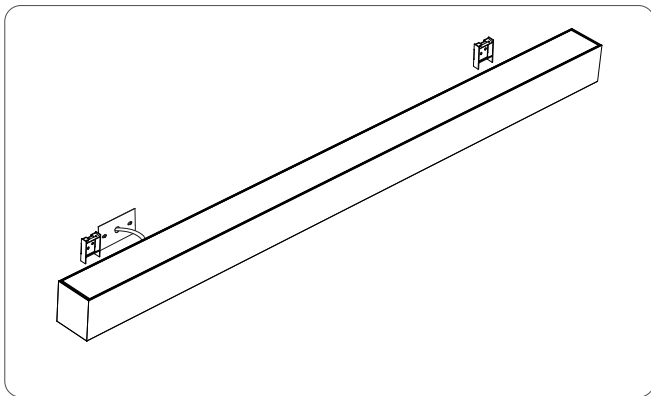
SLA SurroundLite Asymmetric



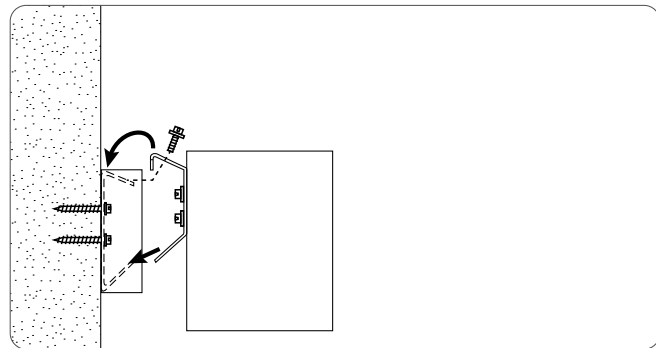
● MOUNTING SPACING



● HORIZONTAL MOUNTING DETAILS

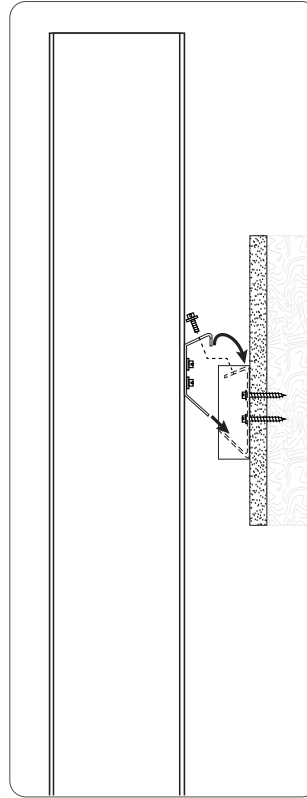


MOUNTING BRACKETS

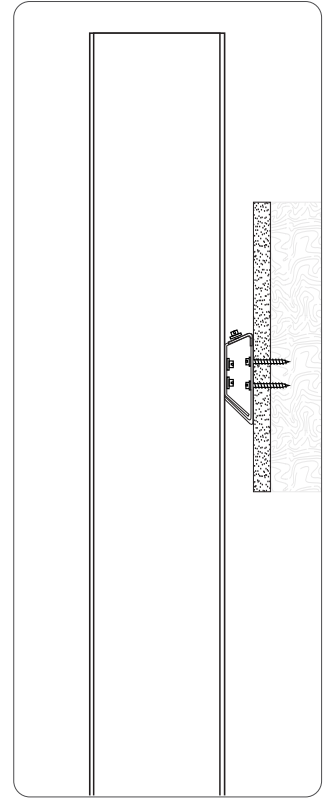


SIDE VIEW

● VERTICAL MOUNTING DETAILS



MOUNTING BRACKETS



SIDE VIEW

● OTHER MOUNTING OPTIONS

BEAM 2 SQUARE is also available with pendant, surface and recessed wall mounted options.

- ❗ Specification sheets and installation sheets for all mountings for BEAM 2 SQUARE LED luminaires are available for download at www.axislighting.com

● PHOTOMETRIC DATA

SLA SurroundLite Asymmetric - Up

Uplight
1100 lm/ft



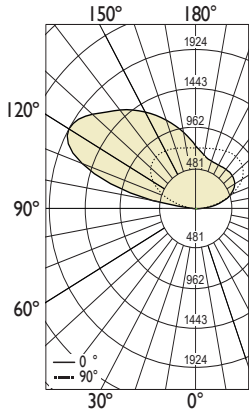
CANDELA DISTRIBUTION

Vertical Angle	Horizontal Angles								
	0	22.5	45	67.5	90	112.5	135	157.5	180
90	12	10	6	6	7	2	4	4	2
95	94	125	127	121	121	17	40	119	77
105	357	338	360	369	373	1072	729	507	350
115	600	526	514	529	539	1510	1077	810	612
125	751	645	602	601	607	1578	1242	984	782
135	812	693	636	620	620	1503	1266	1044	858
145	811	696	638	614	609	1355	1200	1019	866
155	782	686	634	608	602	1183	1080	949	839
165	750	687	647	625	620	998	942	867	805
175	733	713	699	692	692	836	821	797	783
180	747	747	747	747	747	775	775	775	775

ZONAL LUMENS

Zone	Lumens
90	
90-100	136
100-110	574
110-120	829
120-130	849
130-140	741
140-150	578
150-160	397
160-170	226
170-180	72
180	

PHOTOMETRIC CURVE



Lumen/ft: 1100 lm/ft
Total Lumens: 4400 lm (for 4ft)
Input Watts: 37.3 W
Efficacy: 118 lm/W

IES FILE: B2SQWILED-1100-80-35-SLA-4.IES

TESTED ACCORDING TO IES LM-79-2008