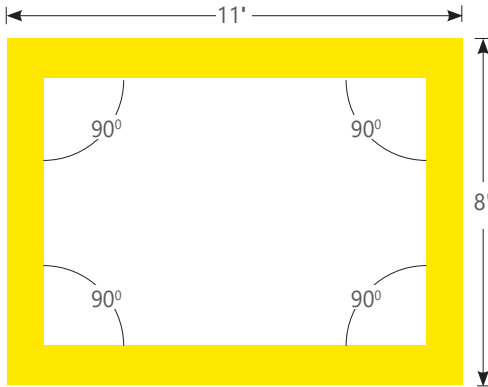




Project _____

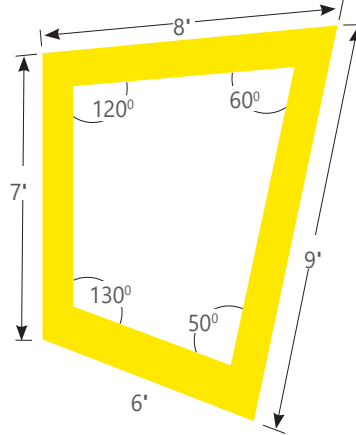
Type _____

Notes _____



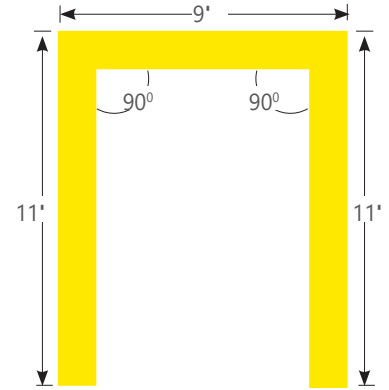
SCDPAT	REC	90+90+90+90	38'
PRODUCT ID	PATTERNS	CORNER ANGLE	LENGTH/FT

TOP VIEW - Rectangle Corner Pattern



SCDPAT	ASO	120+60+50+130	30'
PRODUCT ID	PATTERNS	CORNER ANGLE	LENGTH/FT

TOP VIEW - Corner Pattern



SCDPAT	OPR	90+90	31'
PRODUCT ID	PATTERNS	CORNER ANGLE	LENGTH/FT

TOP VIEW - Open Shape Corner Pattern

Ordering Guide

PRODUCT ID	PATTERNS	CORNER ANGLE	NOM. LUMENS/FT UP (OPT.)	NOM. LUMENS/FT DOWN (OPT.)	CRI
SCDPAT	Sculpt Pendant Direct Patterns	SQ square regular lit corners	90 90 degrees	300 300 lm/ft - Min.	80 80 CRI
SCIPAT	Sculpt Pendant Indirect Patterns	REC rectangle regular lit corners	# other angle	750 750 lm/ft - Max.	90 90 CRI
SCDIPAT	Sculpt Pendant Direct/Indirect Patterns	ASO other shape regular lit corners OPR open shape regular lit corners			

Outputs between listed min and max are available. Consult factory for outputs outside of the listed range.

COLOR TEMP.	SHIELDING UP	SHIELDING DOWN	LENGTH/FT	SPECIFY LENGTH	FINISH	VOLTAGE	DRIVER
27 2700 K	SO spotless lens	FL flush	(#) total pattern length	NL nominal	AP aluminum paint	120 120 V	DP dimming (0-10V) 1%
30 3000 K	BW batwing lens	0.5M 0.5" StepLens, lum. end cap		EX exact	W white	277 277 V	LT lutron *
35 3500 K	NO No shielding*	0.5P 0.5" StepLens, opaque end cap			BLK black	347 347 V	BI bi-level dimming
40 4000 K		2M 2" StepLens, lum. end cap			C custom	UNV universal	O other **
		2P 2" StepLens, opaque end cap				DC low voltage*	POE(#) POE drivers*
	For Direct only	All lens options use spotless lens				* Only available with POE drivers.	** Specify system ** Please consult factory; see page 2

CIRCUITS	MOUNTING	BATTERY - REMOTE (OPTIONAL)	OTHER (OPTIONAL)	IC CONTROL (OPTIONAL)	CUSTOM
1 1 circuit	CA(#) drywall+cable length (36" std.)	B(#) remote battery pack	F fuse *	DS(#) daylight sensor *	C custom
2 2 circuits	CT9(#) TB/TG 9/16+cable length (36" std.)		FW(#) flex whip (6' std)	OS(#) occupancy sensor *	
+E(#) emergency section *	CT15(#) TB/TG15/16+cable length (36" std.)		CP Chicago plenum	DOS(#) daylight & occupancy sensor *	
+NL(#) night light section *	CTS(#) ST+cable length (36" std.)			EN(#) Enlighted integral *	
+GTD(#) generator transfer device *	SA(#) drywall+stem length >48" (18" std.)			ENR(#) Enlighted remote **	
	+SM seismic option				
* Specify quantity	Specify length	Remote only; Please consult factory	* Requires 120V or 277V	* For flush option only; Please consult factory * Please consult factory For StepLens, please consult factory Specify quantity. Requires 7" blank See pages 4-5 for more details	Please specify

● LIT CORNER FEATURES

The Lit Corner system allows continuous illumination all the way through the corner section

To optimize corner illumination, lit corners are created as integral components of the linear sections. Linear sections have mitered ends that connect to corresponding mitered ends of neighboring linear sections.

Illuminated Corners are more complex. Because the corner is fully illuminated, the corner is not independent of the straight sections, but integrated into the straight segment's housing. The corner is mitered, allowing a seamless line of light.

There are three types of illuminated corner available:

Regular Illuminated Corner - This is a fully illuminated 90 degree corner that lies in the same plane, for example, the ceiling or wall.

TIP: Provide sketches illustrating corner types and locations required.

