

Beam 2

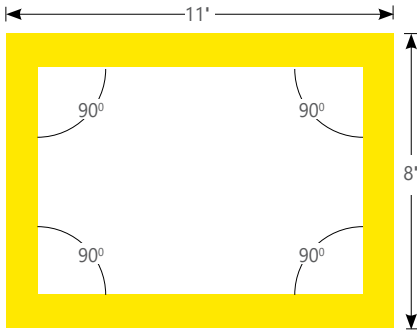
PENDANT MOUNT - DIRECT REGULAR LIT CORNER PATTERNS

Project _____

Type _____

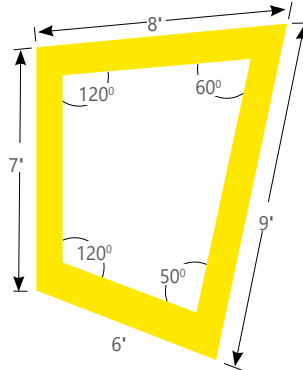
Notes _____

* Please see page 2 for example on how to specify various right angle patterns.



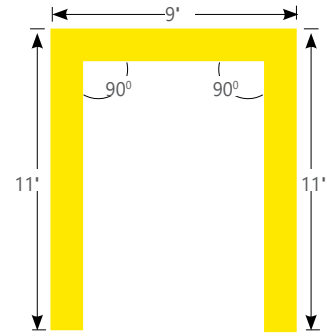
TB2DLEDPAT	R (11'X8')
PRODUCT ID	PATTERNS AND LENGTH

TOP VIEW - Rectangle Corner Pattern



TB2DLEDPAT	FF(30)	OPR(120+60+50+120)
PRODUCT ID	PATTERNS AND LENGTH	CORNER DEGREES

TOP VIEW - Corner Pattern



TB2DLEDPAT	U (9'X11'X11')
PRODUCT ID	PATTERNS AND LENGTH

TOP VIEW - Open Shape Corner Pattern

IMPORTANT! – all corner patterns must be submitted with drawings indicating dimensions and angles degree.

Ordering Guide



PRODUCT ID	PATTERNS AND LENGTH (SELECT ONE)	CORNER DEGREES (OPT.)	LUMENS/FT DIRECT	CRI
TB2DLEDPAT Beam 2 Direct	S(L)* square shape (length) R(LxL)* rectangular shape (length) U(LxLxL)* U shape (length) L(LxL)* L shape (length) T(LxLxL)* T shape (length) X(LxLxLxL)* X shape (length)	FF(L) total pattern length OPR(#) regular lit corner degrees	300 300 lm/ft - Min	80 80 CRI
			750 750 lm/ft - max for GZ, NW, WW, ASO*	90 90 CRI
			1000 1000 lm/ft - max	
	*Comes in 90 degree only.	FREE FORM for various angles. Minimum 2'.	Specify for FF option only. Please confirm corner degrees. Min 30°	Outputs between listed min and max are available. * 750 lm/ft max. only for GZ, NW, WW and ASO. Consult factory for outputs outside of the listed range.

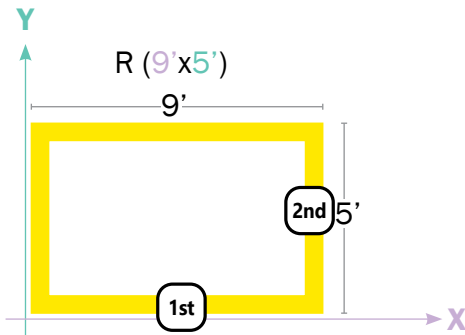
COLOUR TEMP.	SHIELDING DIRECT	SPECIFY LENGTH	FINISH	VOLTAGE	DRIVER
27 2700 K	SO spotless lens	NL nominal	AP aluminum paint	120 120V	DP dimming (0-10V) 1%
35 3500 K	L louver *	EX exact	W white	277 277V	LT(#) Lutron *
30 3000 K	0.25G 0.25" Glo lens		BLK black	347 347V	BI bi-level dimming
40 4000 K	UB ultra blend lens		C custom	UNV universal	O(#) other **
	1M StepLens, lum. end cap			DC low voltage*	POE(#) POE drivers*
	ASO asymmetric, flush only				
	BW batwing, flush only				
	NW narrow, flush only				
	GZ graze, flush only				
	WW wallwash, flush only				
	* Only available with 90° corners. Louver only available in 3" and 4" increment.			* Only available with POE drivers	* Specify system, see page 3. **Please consult factory; see page 3.

CIRCUITS	MOUNTING/SUSPENSION	BATTERY	IC CONTROLS (OPTIONAL)	CUSTOM (OPTIONAL)
1 1 circuit	CA(#) drywall+cable length (36"std)	B(#) battery pack	DS(#) daylight sensor	C custom
2 2 circuits	CT9(#) TB/TG 9/16+cable length (36" std.)	4' sections	OS(#) occupancy sensor	
+E(#) emergency circuit *	CT15(#) TB/TG15/16+cable length (36" std.)		DOS(#) daylight & occupancy sensor	
+NL(#) night light circuit *	CTS(#) screw slot+cable length (36" std.)		EN(#) Enlighted integral *	
+GTD(#) generator transfer device *	SA(#) drywall+stem length>48 (18"std)		ENR(#) Enlighted remote *	
	CASL(#) drywall cable sloped ceiling		WC(#) wireless control dimming	
	SASL(#) drywall stem sloped ceiling			
* Specify quantity	See Mounting kit guide for full specification code.	Requires 120V or 277V Please consult factory	* Please consult factory See integrated controls guide for more details.	Please specify

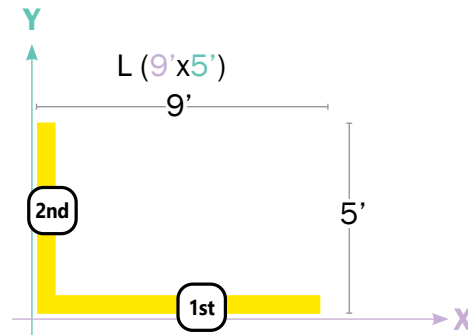
How to Specify 90 degree Corners and Patterns

Example

Defining R - Rectangular shape

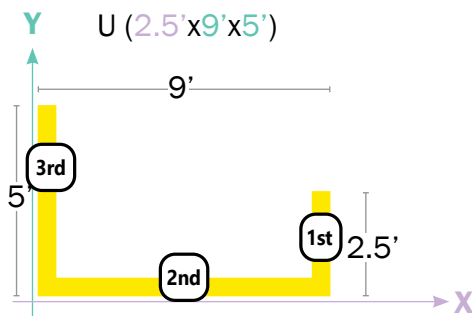


Defining L shape



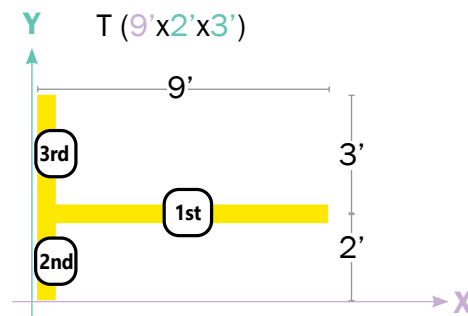
Note: The first number will always define the width, the second - the length.

Defining U shape



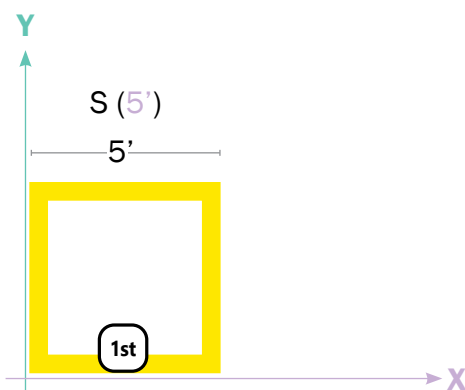
Note: The first number will always define the right arm length, the second - the width, and the third - the left arm length.

Defining T shape



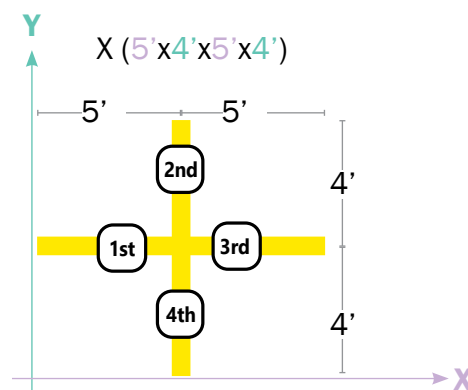
Note: The first number will always define the width, the second - the bottom arm length, and the third - the top arm length.

Defining S - Square shape



Note: The number will define the width. (All sides are the same length).

Defining X shape



Note: The first number will define length of the left arm, the second - the arm length to the right from the first, and so on until the 4th arm.

● LIT CORNER FEATURES

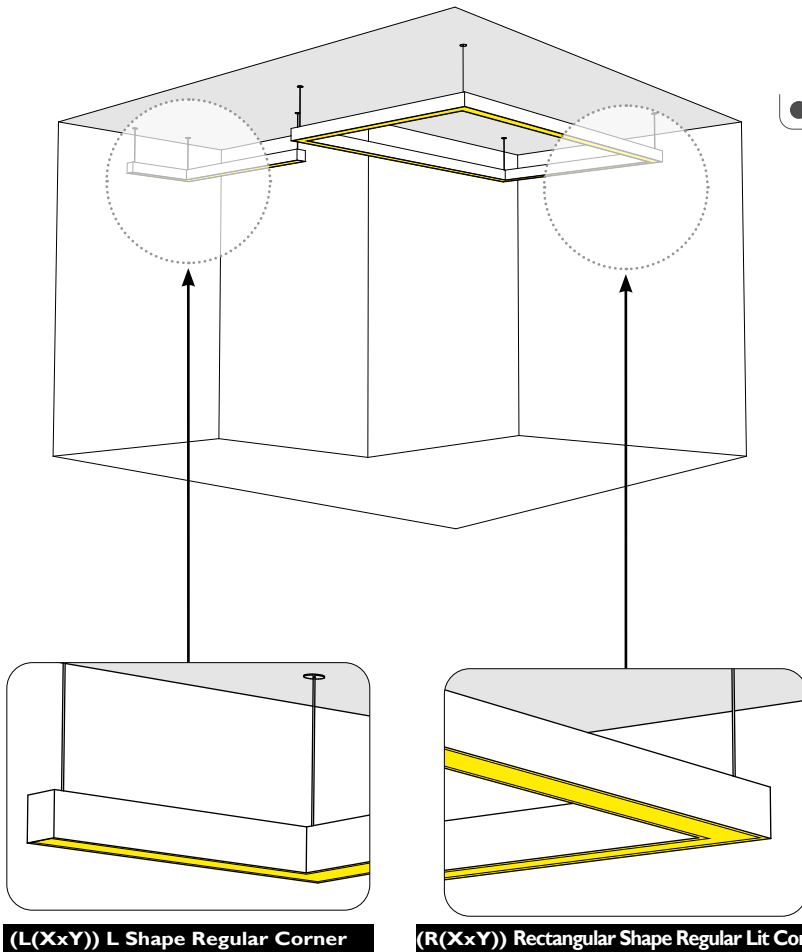
The Lit Corner system allows continuous illumination all the way through the corner section

To optimize corner illumination, lit corners are created as integral components of the linear sections. Linear sections have mitered ends that connect to corresponding mitered ends of neighboring linear sections.

Illuminated Corners are more complex. Because the corner is fully illuminated, the corner is not independent of the straight sections, but integrated into the straight segment's housing. The corner is mitered, allowing a seamless line of light.

Regular Illuminated Corner - A fully illuminated corner that lies on the same plane, for example, the ceiling. There are two corner options available for Regular Lit Corners: **Open Shape Corner** and **Closed Shape Corner**

TIP: Provide sketches illustrating corner types and locations required.



(L(XxY)) L Shape Regular Corner

(R(XxY)) Rectangular Shape Regular Lit Corner

● ELECTRICAL

Lutron driver*	LDE1 - Hi-lume 1% EcoSystem with Soft-on, Fade-to-Black LTEA - Hi-lume 1% 2-wire (120V forward phase only) *Consult factory
Other drivers	DALI - Digital Addressable Lighting Interface DMX - Digital Multiplex Xitanium SR - For wireless sensor
Power over Ethernet POE drivers* (consult factory for more information) UL2108 certified for integral or remote driver	MOLEX IGOR SMARTENGINE O - Other (Consult factory)
Emergency	Integral emergency battery pack or emergency circuit optional.
Input Voltage	120V, 277V, 347V, UNV.

i Incorporating these components may have limitations or affect the length of the luminaire. Please contact factory for more details.


● LED SYSTEM

CRI	Minimum 80 or 90 color rendering index.
CCT	Choice of 2700K, 3000K, 3500K and 4000K color temperature with a great color consistency (within 3-step MacAdam ellipse). Both within fixture and fixture to fixture.
LED life	Minimum 50,000h with 85% of lumen maintenance in 25°C ambient temperature, in compliance with IES LM-80 testing measurements.
Thermal Management	Aluminum housing acting as the heat sink to maximize life.
Environment	Dry and damp rated in operating ambient temperatures of 0-40°C (32-104F).
Louver LED	Individual LED cluster in each louver cell.

● WARRANTY

Axis Lighting will warrant defective LEDs, boards, and drivers for 5 years from date of purchase. Warranty is valid if luminaire is installed and used according to specifications. If defective, Axis will send replacement boards or drivers at no cost along with detailed replacement instructions and instructions on how to return defective components to Axis.

● APPROVALS

Certified to UL and CUL standards 
Meets NYC requirements
Meets ADA requirements.
Suitable for damp locations.

IMPORTANT – all corner patterns must be submitted with drawings indicating dimensions and angles degree.

