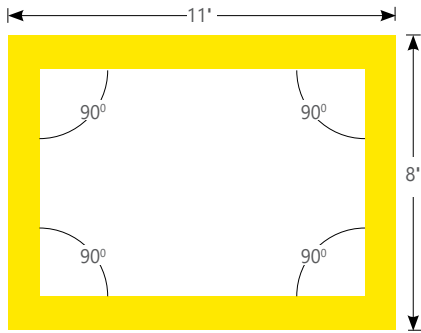


Project _____

Type _____

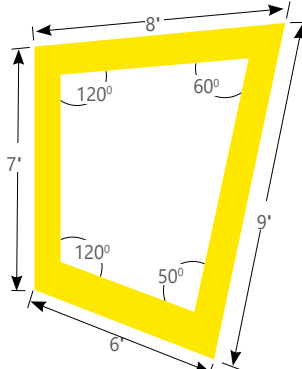
Notes _____

*** Please see page 2 for example on how to specify various right angle patterns.**



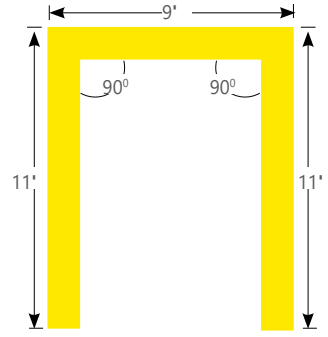
TB2WDILEDPAT	R (11'X8')
PRODUCT ID	PATTERNS AND LENGTH

TOP VIEW - Rectangle Corner Pattern



TB2WDILEDPAT	FF(30)	OPR(120+60+50+120)
PRODUCT ID	PATTERNS AND LENGTH	CORNER DEGREES

TOP VIEW - Corner Pattern



TB2WDILEDPAT	U (9'X11'X11')
PRODUCT ID	PATTERNS AND LENGTH

TOP VIEW - Open Shape Corner Pattern

IMPORTANT! – all corner patterns must be submitted with drawings indicating dimensions and angles degree.

Ordering Guide

PRODUCT ID	PATTERNS AND LENGTH (SELECT ONE)	CORNER DEGREES (OPT.)	LUMENS/FT INDIRECT	LUMENS/FT DIRECT
TB2WDILEDPAT	Beam 2 Wall Direct/Indirect S(L)* square shape (length) R(LxL)* rectangular shape (length) U(LxL)* U shape (length) L(LxL)* L shape (length) T(LxLxL)* T shape (length) X(LxLxLxL)* X shape (length)	FF(L) total pattern length FREE FORM for various angles. Minimum 2'. Specify for FF option only. Please confirm corner degrees. Min 30° *Only available with SO, 0.25G, 1M, and UB direct shielding options	OPR(#) regular lit corner degrees OPI(#)* inside lit corner degrees* OPO(#)* outside lit corner degrees*	300 300 lm/ft-Min 1100 1100 lm/ft-Max
			300 300 lm/ft - Min. 750 750 lm/ft - max for GZ, NW, ASO*	
			1000 1000 lm/ft - max	
			Outputs between listed min and max are available. Consult factory for outputs outside of the listed range.	

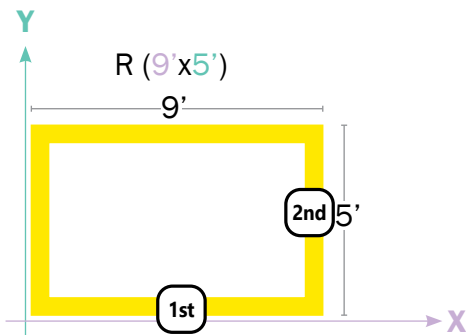
CRI	COLOUR TEMP.	SHIELDING INDIRECT	SHIELDING DIRECT	SPECIFY LENGTH	FINISH	VOLTAGE
80	80 CRI	27 2700 K	SO spotless lens	NL nominal	AP aluminum paint	120 120V
90	90 CRI	35 3500 K	L louver *	EX exact	W white	277 277V
		30 3000 K	0.25G 0.25" Glo lens		BLK black	347 347V
		40 4000 K	UB ultra blend lens		C custom	UNV universal
			1M StepLens, lum. end cap			DC low voltage*
			ASO asymmetric, flush only			
			NW narrow, flush only			
			GZ graze, flush only			
			* Only available with 90° corners. Louver only available in 3' and 4' increment.			* Only available with POE drivers.

DRIVER	CIRCUITS	BATTERY	OTHER	IC CONTROLS (OPTIONAL)	CUSTOM (OPTIONAL)
DP dimming (0-10V) 1% LT(#) Lutron * BI bi-level dimming O(#) other ** POE(#) POE drivers*	1 1 circuit 2 2 circuits +E(#) emergency circuit * +NL(#) night light circuit * +GTD(#) generator transfer device *	B(#) battery pack 4' sections	F fuse * D dust cover	DS(#) daylight sensor OS(#) occupancy sensor DOS(#) daylight & occupancy sensor EN(#) Enlighted integral * ENR(#) Enlighted remote * WC(#) wireless control dimming	C custom
* Specify system, see page 3. ** Please consult factory	* Specify quantity	Requires 120V or 277V Please consult factory	* Requires 120V or 277V	* Please consult factory See integrated controls guide for more details.	Please specify

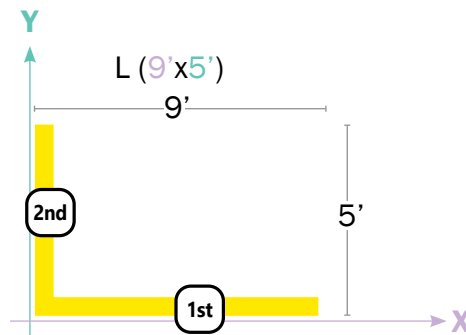
How to Specify 90 degree Corners and Patterns

Example

Defining R - Rectangular shape

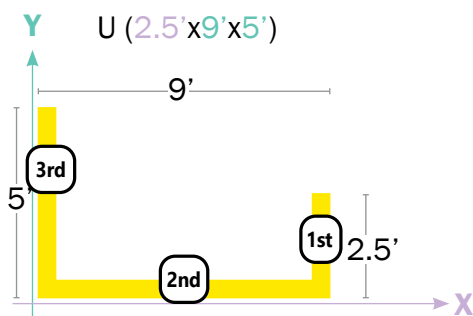


Defining L shape



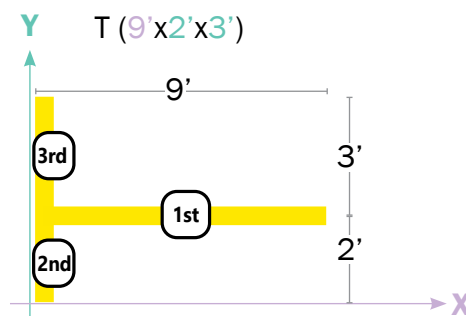
Note: The first number will always define the width, the second - the length.

Defining U shape



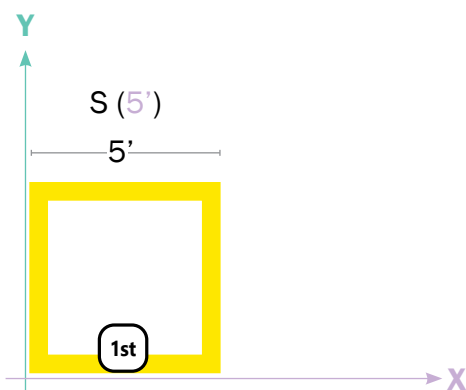
Note: The first number will always define the right arm length, the second - the width, and the third - the left arm length.

Defining T shape



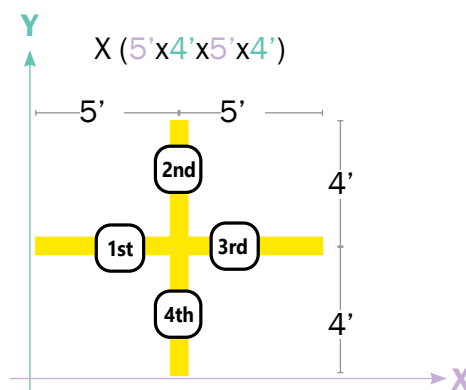
Note: The first number will always define the width, the second - the bottom arm length, and the third - the top arm length.

Defining S - Square shape



Note: The number will define the width. (All sides are the same length).

Defining X shape



Note: The first number will define length of the left arm, the second - the arm length to the right from the first, and so on until the 4th arm.

● LIT CORNER FEATURES

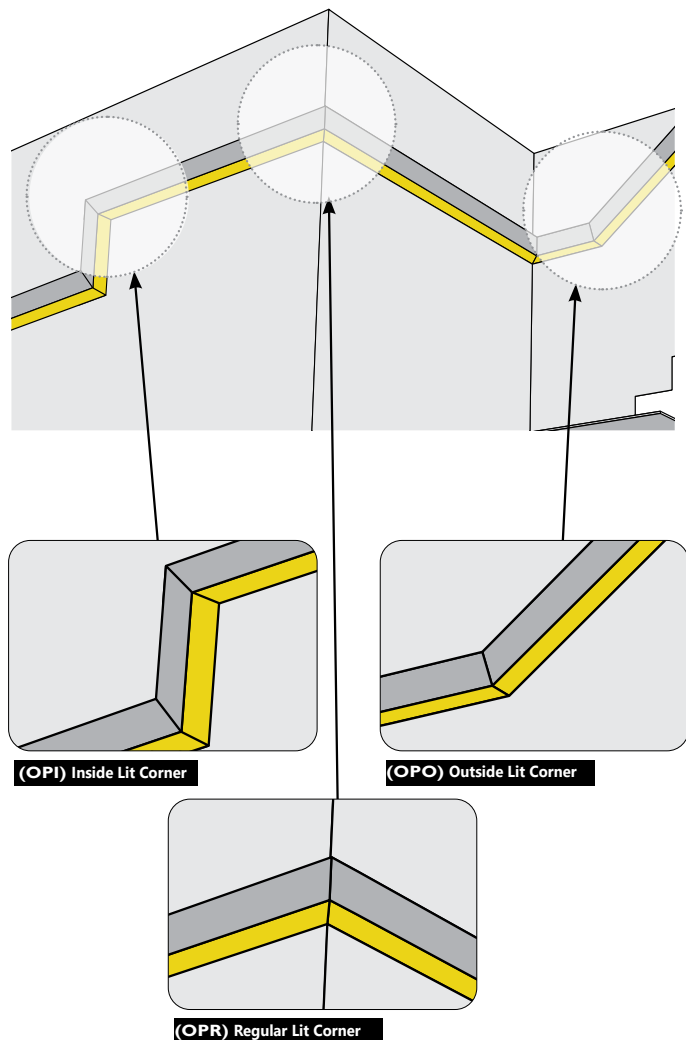
The Lit Corner system allows continuous illumination all the way through the corner section

To optimize corner illumination, lit corners are created as integral components of the linear sections. Linear sections have mitered ends that connect to corresponding mitered ends of neighboring linear sections.

Illuminated Corners are more complex. Because the corner is fully illuminated, the corner is not independent of the straight sections, but integrated into the straight segment's housing. The corner is mitered, allowing a seamless line of light.

Regular Illuminated Corner - A fully illuminated corner that lies on the same plane. There are two corner options available for Regular Lit Corners: **Open Shape Corner** and **Closed Shape Corner**

TIP: Provide sketches illustrating corner types and locations required.



● ELECTRICAL

Lutron driver* LDE1 - Hi-lume 1% EcoSystem with Soft-on, Fade-to-Black
LTEA - Hi-lume 1% 2-wire (120V forward phase only)
*Consult factory

Other drivers DALI - Digital Addressable Lighting Interface
DMX - Digital Multiplex
Xitanium SR - For wireless sensor

Power over Ethernet MOLEX
POE drivers* IGOR
(consult factory for more information) SMARTENGINE
O - Other (Consult factory)
UL2108 certified for integral or remote driver

Emergency Integral emergency battery pack or emergency circuit optional.

Input Voltage 120V, 277V, 347V, UNV.

i Incorporating these components may have limitations or affect the length of the luminaire. Please contact factory for more details.

● LED SYSTEM

CRI Minimum 80 or 90 color rendering index.

CCT Choice of 2700K, 3000K, 3500K and 4000K color temperature with a great color consistency (within 3-step MacAdam ellipse). Both within fixture and fixture to fixture.

LED life Minimum 50,000h with 85% of lumen maintenance in 25°C ambient temperature, in compliance with IES LM-80 testing measurements.

Thermal Management Aluminum housing acting as the heat sink to maximize life.

Environment Dry and damp rated in operating ambient temperatures of 0-40°C (32-104F).

Louver LED Individual LED cluster in each louver cell.

● WARRANTY

Axis Lighting will warrant defective LEDs, boards, and drivers for 5 years from date of purchase. Warranty is valid if luminaire is installed and used according to specifications. If defective, Axis will send replacement boards or drivers at no cost along with detailed replacement instructions and instructions on how to return defective components to Axis.

IMPORTANT – all corner patterns must be submitted with drawings indicating dimensions and angles degree.

