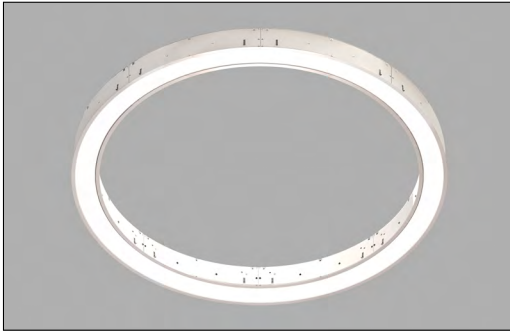


# Sketch | Recessed



Project \_\_\_\_\_  
 Type \_\_\_\_\_  
 Notes \_\_\_\_\_

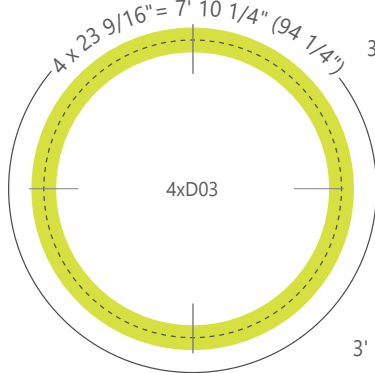
### PERFORMANCE AT 4000K

NOMINAL LUMEN OUTPUT	INPUT WATTS*	EFFICACY
400 lm/ft	4.9 W/ft	82 lm/W
700 lm/ft	8.5 W/ft	82 lm/W

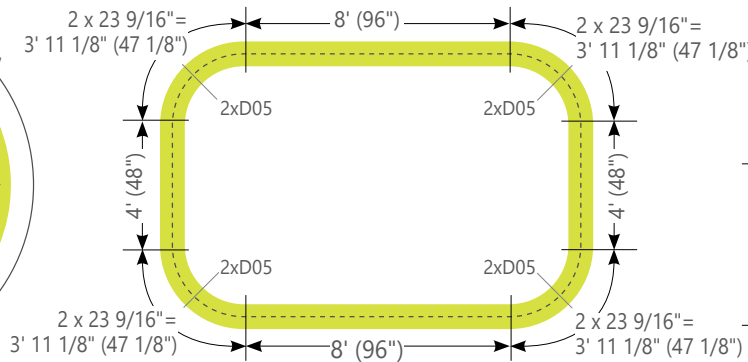
\*for a 30" diameter circle luminaire.



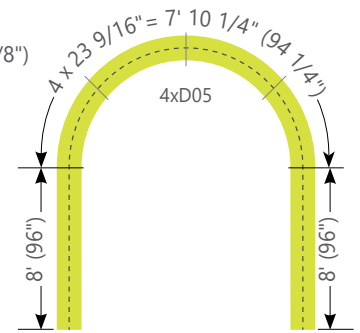
**i** Drawings are not to scale



SK-10003-CIR-AL7' 10 1/4"  
Circle Pattern



SK-#-REC-AL43' 8 1/4"  
Rectangle Pattern



SK-#-ASO-AL23' 10 1/4"  
Other Shape Pattern

### ALL ORDERS MUST BE SUBMITTED WITH DRAWINGS INDICATING DIMENSIONS, ANGLES AND DIAMETER

SK	PRODUCT ID	PROJECT REFERENCE #	PATTERNS	LENGTH	NOM. LUMENS/FT	CRI
SK	sketch recessed	<b>10003</b> D03-30" diameter circle <b>10005</b> D05-60" diameter circle <b>10008</b> D08-90" diameter circle <b>10013</b> D13-150" diameter circle <b>10018</b> D18-210" diameter circle <b>10023</b> D23-270" diameter circle # for all other shapes*	<b>REC</b> rectangle <b>CIR</b> circle <b>ARC</b> arc section <b>ASO</b> other shape <b>LIN</b> linear run	<b>AL(L)</b> pattern length*	<b>400</b> 400 lm/ft <b>700</b> 700 lm/ft	<b>80</b> 80 CRI <b>90</b> 90 CRI*
*For different radius consult factory.			* nominal length		Consult factory for max output with BIOS	* Not available with BIOS.

COLOR TEMP. (choose one)	SHIELDING	FINISH	VOLTAGE	DRIVER	CIRCUITS
<b>27</b> 2700 K <b>30</b> 3000 K <b>35</b> 3500 K <b>40</b> 4000 K <b>B30</b> 3000 K - BIOS* <b>B35</b> 3500 K - BIOS* <b>B40</b> 4000 K - BIOS*	<b>SO</b> spotless lens	<b>W</b> white <b>BLK</b> black <b>C</b> custom	<b>120</b> 120 V <b>277</b> 277 V <b>347</b> 347 V <b>UNV</b> universal <b>DC</b> low voltage*	<b>DP</b> dimming (0-10V) 1% <b>LT(#)</b> Lutron* <b>BI</b> bi-level dimming <b>O(#)</b> other** <b>DPB(#)</b> dimming (0-10V) 1% with BIOS* <b>TW(#)</b> tunable white drivers* <b>POE(#)</b> POE drivers*	<b>1</b> 1 circuit <b>2</b> 2 circuits <b>+E(#)</b> emergency circuit* <b>+NL(#)</b> night light circuit* <b>+GTD(#)</b> generator transfer device*
<a href="#">Consult Axitune technical sheet for more information of color technology.</a> <a href="#">*Consult BIOS guide for more information on BIOS technology</a>			* Only available with POE drivers.	*See page 4 to specify system **Please consult factory, see page 4	* Specify system

MOUNTING/SUSPENSION	BATTERY (OPT.)	OTHER (OPTIONAL)	CUSTOM (OPTIONAL)
<b>DF</b> drywall flange <b>DS</b> drywall spackle flange	<b>B(#)</b> battery pack  Consult factory for battery selection	<b>CP</b> chicago plenum	<b>C</b> custom  Please specify

**i** Patent pending

**ALL ORDERS MUST BE SUBMITTED WITH DRAWINGS INDICATING DIMENSIONS, ANGLES AND DIAMETER**

## ● LUMINAIRE SECTIONS

The center line indicates the diameter at the center of the curve. Regardless to the mounting style, the centre line remains the same. This is the dimension that should be used when planning a layout.



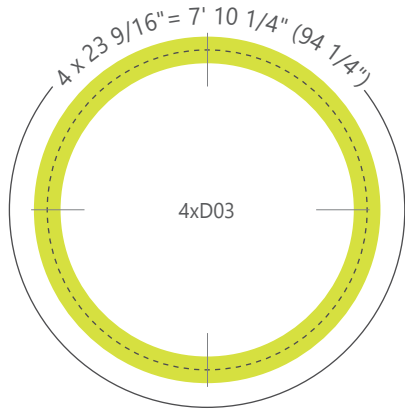
**i** Patent pending

ALL ORDERS MUST BE SUBMITTED WITH DRAWINGS INDICATING DIMENSIONS, ANGLES AND DIAMETER

● HOW TO ORDER?

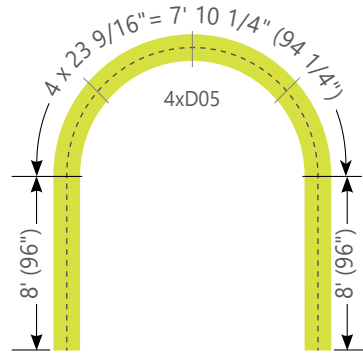
**i** Drawings are not to scale

EXAMPLE 1 - Circle Pattern



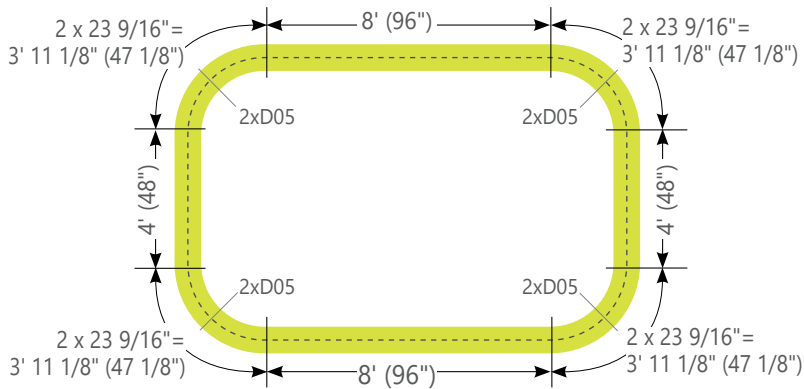
CODE: SK-10003-CIR-AL7'10 1/4"

EXAMPLE 2 - Custom Shape Pattern



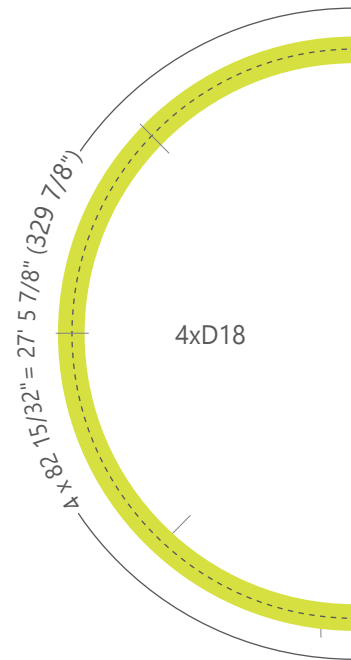
CODE: SK-#-ASO-AL23'10 1/4"

EXAMPLE 3 - Rectangle Pattern



SK-#-REC-AL43'8 1/4"

EXAMPLE 4 - Arc Section Pattern



SK-#-ARC-AL27'5 7/8"

**i** Patent pending

## ● ELECTRICAL

<b>Lutron driver*</b>	LDE1 - Hi-lume 1% EcoSystem with Soft-on, Fade-to-Black LTEA - Hi-lume 1% 2-wire (120V forward phase only) <small>*Consult factory</small>
<b>Other drivers**</b>	DALI - Digital Addressable Lighting Interface DMX - Digital Multiplex Xitanium SR - For wireless sensor
<b>BIOS DPB drivers*</b>	STC - BIOS control 0-10V with static spectrum and BIOS SkyBlue enabled from 100% to 1%. DYN- BIOS control 0-10V with dynamic spectrum and BIOS SkyBlue® with Bio-Dimming™ enabled 100% to 50%, light output dimming from 49% to 1%.
<b>Tunable White TW drivers*</b>	DALIDT6 - DALI Type 6 (Two DALI Addresses) DALIDT8 - DALI Type 8 ( One DALI Address) LTTW - Lutron T-Series Tunable White
<b>Power over Ethernet POE drivers*</b> <small>UL2108 certified for integral or remote driver</small>	MOLEX IGOR SMARTENGINE O - Other (Consult factory)
<b>Emergency</b>	Integral emergency battery pack or emergency circuit optional.
<b>Input Voltage</b>	120V, 277V, 347V, UNV, DC.
<b>Flex Whip</b>	Shipped in a separate box for contractors to install

\*Choose driver from available options.

**i** Incorporating these components may have limitations or affect the length of the luminaire. Please contact factory for more details.

## ● LED SYSTEM

<b>CRI</b>	Minimum 80 or 90 color rendering index.
<b>CRI BIOS</b>	Minimum 80 color rendering index with R9>75 for all CCTs.
<b>CCT Single Color</b>	Choice of 2700K, 3000K, 3500K and 4000K color temperature with a great color consistency (within 3-step MacAdam ellipse). Both within fixture and fixture to fixture.
<b>CCT BIOS</b>	BIOS Static (STC) Choice of 3000K, 3500K and 4000K. BIOS SkyBlue® Dynamic (DYN) Choice of 3000K, 3500K, and 4000K with Bio-Dimming™
	<a href="#">Consult BIOS guide for more information on BIOS technology.</a>
<b>CCT Axitune Systems</b>	<a href="#">Consult Axitune technical sheet for more information on color technology.</a>
<b>LED life</b>	Minimum 50,000h with 85% of lumen maintenance in 25°C ambient temperature, in compliance with IES LM-80 testing measurements.
<b>Thermal Management</b>	Aluminum housing acting as the heat sink to maximize life.
<b>Environment</b>	Dry and damp rated in operating ambient temperatures of 0-40°C (32-104F).

# Sketch | Recessed

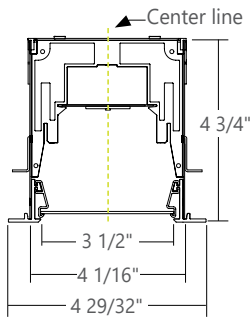
## ● PRODUCT DESCRIPTION

Sketch allows freedom to create shapes of continuous light. Its modules offer a wide range of options making possible to build partial and complete circles with 3', 5', 8', 13', 8', and 23' nominal diameters. These can be combined with straight sections.

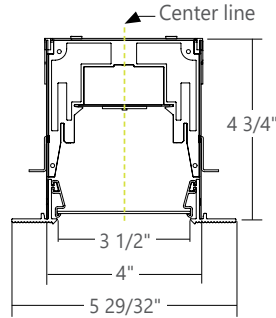
- i** Consult your Axis Representative to coordinate specification. A detailed drawing of the intended installation must be provided with each order.

## ● CEILING SYSTEM

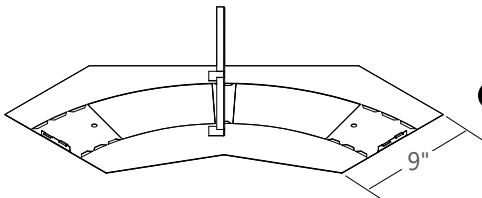
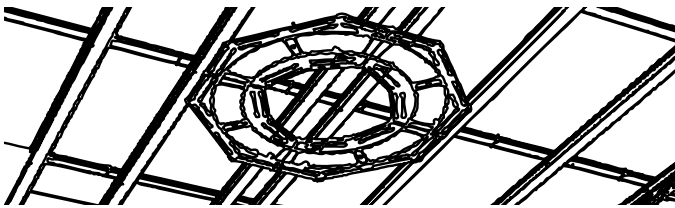
### ● DRYWALL WITH FLANGE



### ● DRYWALL SPACKLE FLANGE



### ● EASY INSTALLATION WITH MOUNTING PLATES



**i** Patent pending

Mounting plates are installed behind the sheetrock to guide the cutting for installation of the luminaire housing using a rotary saw. The plates also allow for the layout of the luminaires to be confirmed before the final cuts are made.

- i** Installation sheets for all mounting options will be available shortly at: [www.axislighting.com](http://www.axislighting.com)

## ● WEIGHT

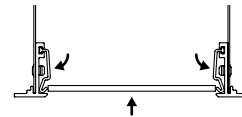
Approximately 5.4lbs/ft = 2.4kg/ft (linear)

## ● CONSTRUCTION

<b>Housing Walls</b>	Die formed cold rolled sheet steel (20 gauge)
<b>Housing Top</b>	Die formed cold rolled sheet steel (18 gauge)
<b>Interior Brackets</b>	Die formed cold rolled sheet steel (16 gauge)
<b>Mounting Plates</b>	Die formed cold rolled sheet steel (22 gauge)
<b>Mounting brkts.</b>	Die formed cold rolled sheet steel (16 gauge)
<b>Joining brackets.</b>	Die formed cold rolled sheet steel (16 gauge)
<b>Incap &amp; Cross Brkt.</b>	Die cast aluminum
<b>Flanges</b>	Extruded aluminum

## ● LENS

**Spotless Lens** Highly transmissive laser cut polycarbonate 0.060" thick with easy snap installation.




**i** Patent pending

## ● FINISH

Highly reflective, white powder coat finish paint for high efficiency. Matte texture to diffuse glare and lamp image on the surface within the optical chamber exterior. Custom finishes are also available.

## ● APPROVALS

Certified to CSA standards   
Chicago Plenum Certified (CCEA) on request  
Meets NYC requirements  
Suitable for damp locations.  
IC Rated (Insulated ceiling)

## ● RECOGNITIONS

**IES 2013**- Recognized as a unique and significant advancement to the art and science of Lighting.

**NGL 2013**- Winner in the "Recognized" category.

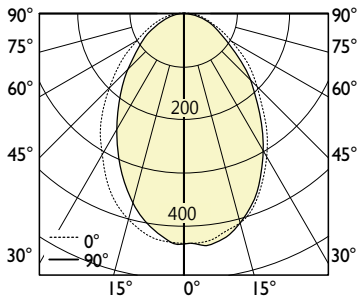
## ● WARRANTY

Axis Lighting will warrant defective LEDs, boards, and drivers for 5 years from date of purchase. Warranty is valid if luminaire is installed and used according to specifications.

If defective, Axis will send replacement boards or drivers at no cost along with detailed replacement instructions and instructions on how to return defective components to Axis.

## ● PHOTOMETRIC DATA

### PHOTOMETRIC CURVE



**Luminaire Lumens: 2483 lm**  
**Input Watts: 30.24 W**  
**Efficacy: 82.1 lm/W**

IES FILE:  
 (D08 ARC Section)  
 SK-10008-ARC-AL1'-11 9/16"-400-80-40-SO-AL-UNV.ies

TESTED ACCORDING TO IES LM-79-2008

### CANDELA DISTRIBUTION

Vertical Angle	Horizontal Angles				
	0	22.5	45	67.5	90
0	432	432	432	432	432
5	437	436	434	432	430
15	407	408	409	408	401
25	341	344	350	353	345
35	256	261	271	279	272
45	178	181	192	202	197
55	115	118	125	134	131
65	70	71	76	81	80
75	34	35	38	42	41
85	5	5	7	9	10
90	0	0	0	0	0

### ZONAL LUMENS

Zone	Lumens
0	
0-10	40
10-20	110
20-30	151
30-40	158
40-50	138
50-60	106
60-70	71
70-80	37
80-90	8
90	

### LUMINANCE DATA (CD/M<sup>2</sup>)

Vertical Angle	Horizontal Angles		
	0	45	90
45	4933	5321	5459
55	3929	4270	4475
65	3246	3524	3709
75	2574	2877	3104
85	1124	1574	2248

**i** All IES files are available for download at: [www.axislighting.com](http://www.axislighting.com)

**i** Patent pending