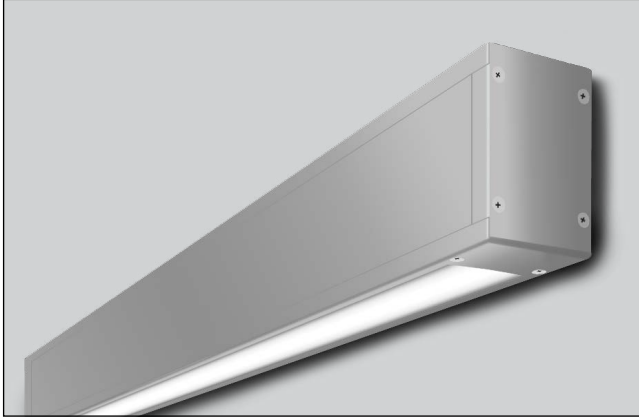


Wet Beam DI LED | Wall mount



Project _____

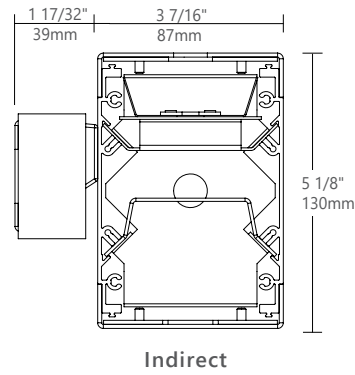
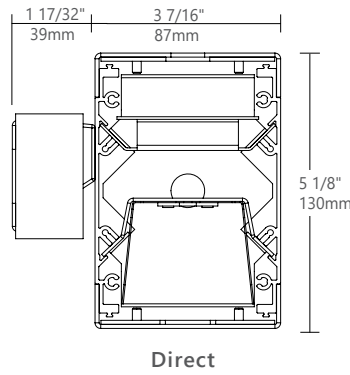
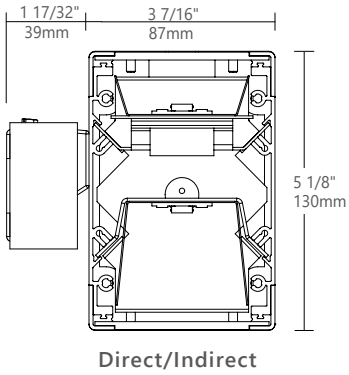
Type _____

Notes _____

PERFORMANCE PER LINEAR FOOT AT 3500K

NOMINAL LUMEN OUTPUT		INPUT WATTS*	EFFICACY
UPLIGHT	DOWNLIGHT		
1000 lm/ft	1000 lm/ft	22.5 W/ft	89 lm/W
	1000 lm/ft	13.4 W/ft	81 lm/W
1000 lm/ft		10.2 W/ft	98 lm/W

Please consult factory for custom lumen output and wattage.



Ordering Guide

PRODUCT ID	NOM.LUMENS/FT UP	NOM.LUMENS/FT DOWN	CRI	COLOR TEMP.	SO SHIELDING UP
WBDIWLED Wall Direct/Indirect LED	400 400 lm/ft up - Minimum	400 400 lm/ft up - Minimum	80 80 CRI	27 2700 K	SO spotless lens
WBDWLED Wall Direct LED	1000 1000 lm/ft down - Maximum	1000 1000 lm/ft down - Maximum	90 90 CRI	30 3000 K	
WBIWLED Wall Indirect LED				35 3500 K 40 4000 K	
Outputs between listed min and max are available. Consult factory for outputs outside of the listed range.		Outputs between listed min and max are available. Consult factory for outputs outside of the listed range.			Extruded Polycarbonate

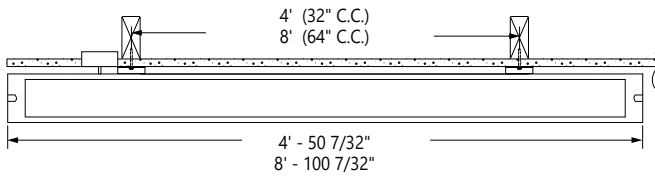
SO SHIELDING DOWN	LENGTH (FT)	FINISH	VOLTAGE	DRIVER	CIRCUITS
SO spotless lens	2 2' 3 3' 4 4' 6 6' 8 8' 12 12'	AP aluminum paint W white BLK black C custom	120 120 V 277 277 V 347 347 V UNV universal DC low voltage*	DP dimming (0-10V) 1% LT(#) Lutron * BI bi-level dimming O(#) other ** POE(#) POE drivers*	1 1 circuit 2 2 circuits 2A/B 2 alternating +E(#) emergency section * +NL(#) night light section * +GTD(#) generator transfer device *
Extruded Polycarbonate	Minimum Length is 2ft Only available in full foot increments		* Only available with POE drivers.	* Operating up to -20°C; Specify system ** Please consult factory; see page 2	* Specify quantity

BATTERY (OPTIONAL)	OTHER (OPTIONAL)	IC CONTROLS (OPTIONAL)	CUSTOM (OPTIONAL)
B(#) battery pack	+BF Back feed* +N natatorium finish	OS(#) occupancy sensor EN(#) Enlighted integral WC(#) wireless control dimming	C custom
Minimum 5ft; Not available with 347V Please consult factory	*See page 3 for more details.	See integrated controls guide for more details. Please consult factory	Please specify

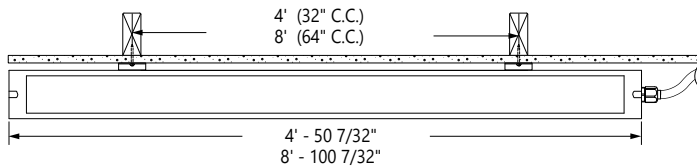
Wet Beam DI LED | Wall mount

● MOUNTING OPTIONS

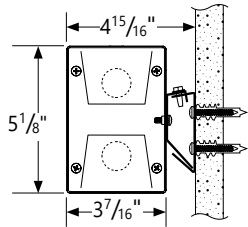
TOP VIEW



TOP VIEW - END FEED STANDARD (EF)



END VIEW



i Row configuration, specification sheets and mounting spacing guides are available for download at: www.axislighting.com

● OTHER MOUNTING OPTIONS

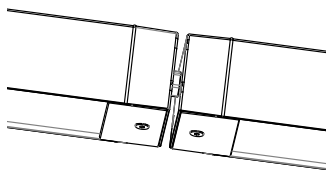
WET BEAM DI LED is also available in a pendant mount.

● WEIGHT

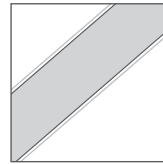
Wall LED 4 ft	15 lbs / 6.8 Kg
Wall LED 8 ft	30 lbs / 13.6 Kg

● GASKETTED FIXTURE

With its gasketed end cap and lens the WET BEAM DI LED is made for wet locations, and is ideal for exterior soffits and canopies of malls, hospitals and other institutions.



● OPTICS



S satin lens

SATIN LENS

Extruded Polycarbonate

● CONSTRUCTION

Housing	Extruded aluminum (0.062" nominal) Up to 70% recycled content
End Cap	Die cast zinc (0.070" nominal)
Interior Brackets	Die formed sheet steel (16 gauge)
Gaskets	Moulded elastomer (0.100" nominal)
Lens Gaskets	Extruded elastomer (0.045" nominal)
Lens	Extruded polycarbonate (0.125" nominal)
Fasteners	All external fasteners are tamper proof TORX T15H

● ELECTRICAL

Lutron driver	LDE1 - Hi-lume 1% EcoSystem with Soft-on, Fade-to-Black
Other drivers**	DALI - Digital Addressable Lighting Interface DMX - Digital Multiplex Xitanium SR - For wireless sensor
Power over Ethernet POE drivers*	MOLEX IGOR SMARTENGINE O - Other (Consult factory)
Emergency	Integral emergency battery pack or emergency circuit optional.
Input Voltage	120V, 277V, 347V, UNV.

i Incorporating these components may have limitations or affect the length of the luminaire. Please contact factory for more details.

● LED SYSTEM

CRI	Minimum 80 or 90 color rendering index.
CCT	Choice of 2700K, 3000K, 3500K and 4000K color temperature with a great color consistency (within 3-step MacAdam ellipse). Both within fixture and fixture to fixture.
LED life	Minimum 50,000h with 85% of lumen maintenance in 25°C ambient temperature, in compliance with IES LM-80 testing measurements.
Thermal Management	Aluminum housing acting as the heat sink to maximize life.

Wet Beam DI LED | Wall mount

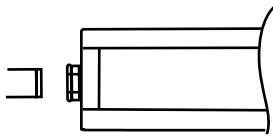
● WARRANTY

Axis Lighting will warrant defective LEDs, boards, and drivers for 5 years from date of purchase. Warranty is valid if luminaire is installed and used according to specifications. If defective, Axis will send replacement boards or drivers at no cost along with detailed replacement instructions and instructions on how to return defective components to Axis.

● FINISH

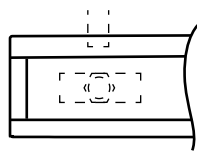
Powder coated and custom finishes are also available.

● POWER FEED



EF END FEED

STANDARD

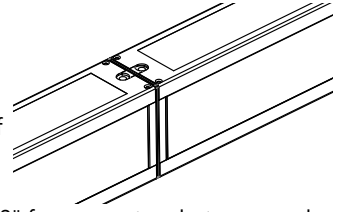


BF BACK FEED

OPTIONAL

● JOINER SYSTEM

WET BEAM DI LED modular system consists of smaller modules joined and gasketed together allowing for system runs in lengths of 4' and 8' as well as custom lengths up to 12'.



* For continuous rows allow 2" for connectors between each fixture.

● APPROVALS

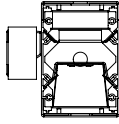
Certified wet locations to UL and CSA standards 

Wet Beam DI LED | Wall mount

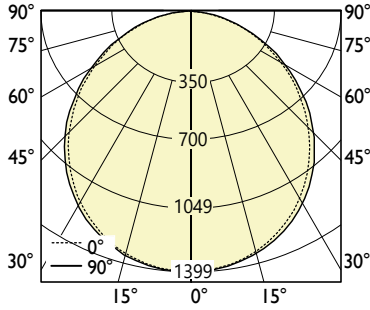
● PHOTOMETRIC DATA

SO Spotless lens - Down

1000 lm/ft



PHOTOMETRIC CURVE



Lumen/ft: 1000 lm/ft
Total Lumens: 4000 lm (for 4ft)
Input Watts: 49.4 W
Efficacy: 81 lm/W

IES FILE: WBDWLED-0-1000-80-35-SO-4IES

TESTED ACCORDING TO IES LM-79-2008

CANDELA DISTRIBUTION

Vertical Angle	Horizontal Angles				
	0	22.5	45	67.5	90
0	1399	1399	1399	1399	1399
5	1395	1394	1392	1392	1391
15	1348	1344	1341	1338	1337
25	1254	1249	1242	1238	1238
35	1117	1110	1104	1097	1096
45	945	937	927	920	918
55	741	730	720	712	709
65	510	499	490	481	479
75	276	266	257	249	248
85	72	66	60	56	56
90	6	3	3	3	3

ZONAL LUMENS

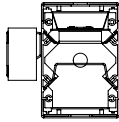
Zone	Lumens
0	
0-10	132
10-20	379
20-30	575
30-40	693
40-50	720
50-60	650
60-70	492
70-80	281
80-90	78
90	

LUMINANCE DATA (cd/m²)

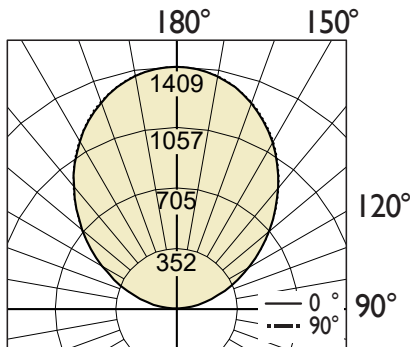
Vertical Angle	Horizontal Angles		
	0	45	90
45	12340	12103	11979
55	11921	11592	11413
65	11132	10692	10455
75	9834	9160	8839
85	7642	6397	5878

SO Spotless lens - Up

1000 lm/ft



PHOTOMETRIC CURVE



Lumen/ft up: 1000 lm/ft
Total Lumens: 4000 lm (for 4ft)
Input Watts: 40.7 W
Efficacy: 98 lm/W

IES FILE: WBIWLED-0-1000-80-35-SO-4.IES

TESTED ACCORDING TO IES LM-79-2008

CANDELA DISTRIBUTION

Vertical Angle	Horizontal Angles				
	0	22.5	45	67.5	90
90	10	4	3	3	3
95	80	72	64	56	53
105	285	272	260	248	242
115	520	506	492	479	471
125	750	736	723	710	703
135	954	943	929	918	912
145	1128	1118	1107	1097	1092
155	1265	1257	1249	1241	1238
165	1358	1354	1349	1345	1343
175	1405	1403	1402	1401	1400
180	1409	1409	1409	1409	1409

ZONAL LUMENS

Zone	Lumens
90	
90-100	77
100-110	278
110-120	490
120-130	648
130-140	720
140-150	695
150-160	577
160-170	381
170-180	133
180	

i All IES files are available for download at: www.axislighting.com

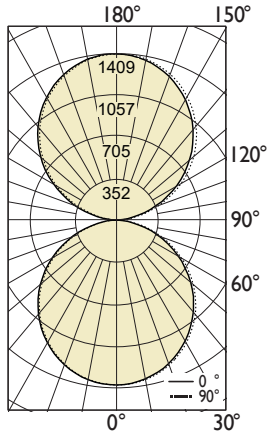
Wet Beam DI LED | Wall mount

● PHOTOMETRIC DATA

Uplight
1000 lm/ft
Downlight
1000 lm/ft



PHOTOMETRIC CURVE



Lumen/ft up: 1000 lm/ft
Lumen/ft down: 1000 lm/ft
Total Lumens: 7999 lm (for 4ft)
Input Watts: 90.1 W
Efficacy: 89 lm/W

IES FILE: WBDIWLED-1000-1000-80-35-SO-4.IES

TESTED ACCORDING TO IES LM-79-2008

CANDELA DISTRIBUTION

Vertical Angle	Horizontal Angles				
	0	22.5	45	67.5	90
0	1399	1399	1399	1399	1399
5	1395	1394	1392	1392	1391
15	1348	1344	1341	1338	1337
25	1254	1249	1242	1238	1238
35	1117	1110	1104	1097	1096
45	945	937	927	920	918
55	741	730	720	712	709
65	510	499	490	481	479
75	276	266	257	249	248
85	72	66	60	56	56
90	10	4	3	3	3
95	80	72	64	56	53
105	285	272	260	248	242
115	520	506	492	479	471
125	750	736	723	710	703
135	954	943	929	918	912
145	1128	1118	1107	1097	1092
155	1265	1257	1249	1241	1238
165	1358	1354	1349	1345	1343
175	1405	1403	1402	1401	1400
180	1409	1409	1409	1409	1409

ZONAL LUMENS

Zone	Lumens
0	
0-10	132
10-20	379
20-30	575
30-40	693
40-50	720
50-60	650
60-70	492
70-80	281
80-90	78
90	
90-100	77
100-110	278
110-120	490
120-130	648
130-140	720
140-150	695
150-160	577
160-170	381
170-180	133
180	

LUMINANCE DATA (cd/m²)

Vertical Angle	Horizontal Angles		
	0	45	90
45	12340	12103	11979
55	11921	11592	11413
65	11132	10692	10455
75	9834	9160	8839
85	7642	6397	5878

i All IES files are available for download at: www.axislighting.com