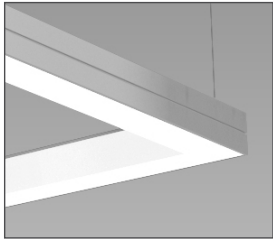


EDGE 2 | PENDANT MOUNT -DIRECT REGULAR LIT CORNER PATTERNS

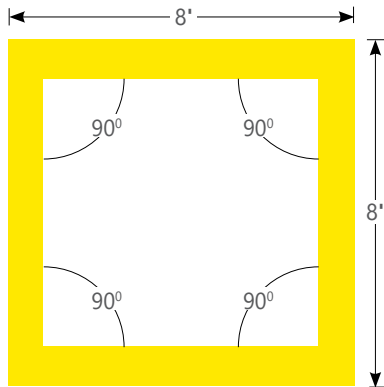


90 Deg

Project _____

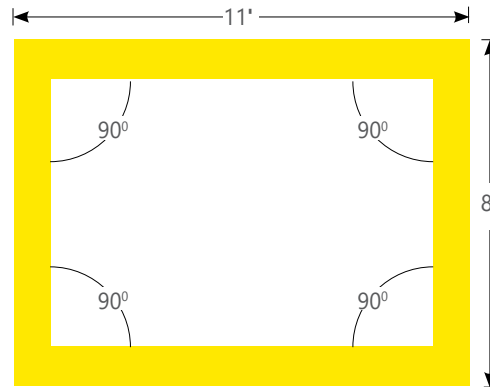
Type _____

Notes _____



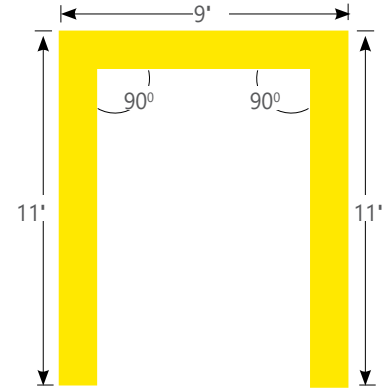
ED2PAT	SQ	90+90+90+90	32'
PRODUCT ID	PATTERNS	CORNER DEGREES	LENGTH/FT

TOP VIEW - Square Corner Pattern



ED2PAT	REC	90+90+90+90	38'
PRODUCT ID	PATTERNS	CORNER DEGREES	LENGTH/FT

TOP VIEW - Rectangle Corner Pattern



ED2PAT	OPR	90+90	31'
PRODUCT ID	PATTERNS	CORNER DEGREES	LENGTH/FT

TOP VIEW - Open Shape Corner Pattern

IMPORTANT – all corner patterns must be submitted with drawings indicating dimensions and angles degree.

Ordering Guide

PRODUCT ID	PATTERNS	CORNER DEGREES	LUMENS/FT DIRECT	CRI	COLOUR TEMP.	SHIELDING
ED2PAT	SQ square regular lit corners REC rectangle regular lit corners OPRI open shape regular interior lit corners	90 90 degrees	400 400 lm/ft - Min 1000 1000 lm/ft - Max	80 80 CRI 90 90 CRI	27 2700 K 35 3500 K 30 3000 K 40 4000 K	UB Ultra Blend Lens
			Outputs between listed min and max are available. Consult factory for outputs outside of the listed range.			

LENGTH/FT	SPECIFY LENGTH	FINISH	GROOVE FINISH	VOLTAGE	DRIVER	CIRCUITS
(L) total pattern length	NL nominal EX exact	AP aluminum paint W white BLK black C custom	AP aluminum paint W white BLK black C custom	120 120 V 277 277 V 347 347 V* UNV universal DC low voltage*	DP dimming (0-10V) 1% - integral* LT Lutron-remote (1) - remote** BI bi-level dimming - remote** O other (2) - remote* POE(#) POE drivers (1)	1 1 circuit 2 2 circuits +E(#) emergency circuit *
Please consult factory				* Remote driver only.	* Not available with 347V ** Remote driver (1) Specify system. Remote only. (2) Please consult factory	* Specify quantity

MOUNTING/SUSPENSION	END CAP	BATTERY - REMOTE (OPTIONAL)	OTHER	IC CONTROLS (OPT.)	CUSTOM (OPT.)
CA(L) drywall+cable length (36" std.) CT9(L) TB/TG 9/16+cable length (36" std.) CT15(L) TB/TG15/16+cable length (36" std.) SA(L) drywall+stem length >48" (18" std.)	FL flat standard	B(#) remote battery pack	F fuse *	DS(#) daylight sensor OS(#) occupancy sensor DOS(#) daylight & occupancy sensor EN(#) Enlighted integral * ENR(#) Enlighted remote * WC(#) wireless control dimming	C custom
White canopy standard	For close end cap only	Remote only	* Requires 120V or 277V	* Please consult factory See integrated controls guide for more details.	Please specify

EDGE 2 | PENDANT MOUNT -DIRECT REGULAR LIT CORNER PATTERNS

● LIT CORNER FEATURES

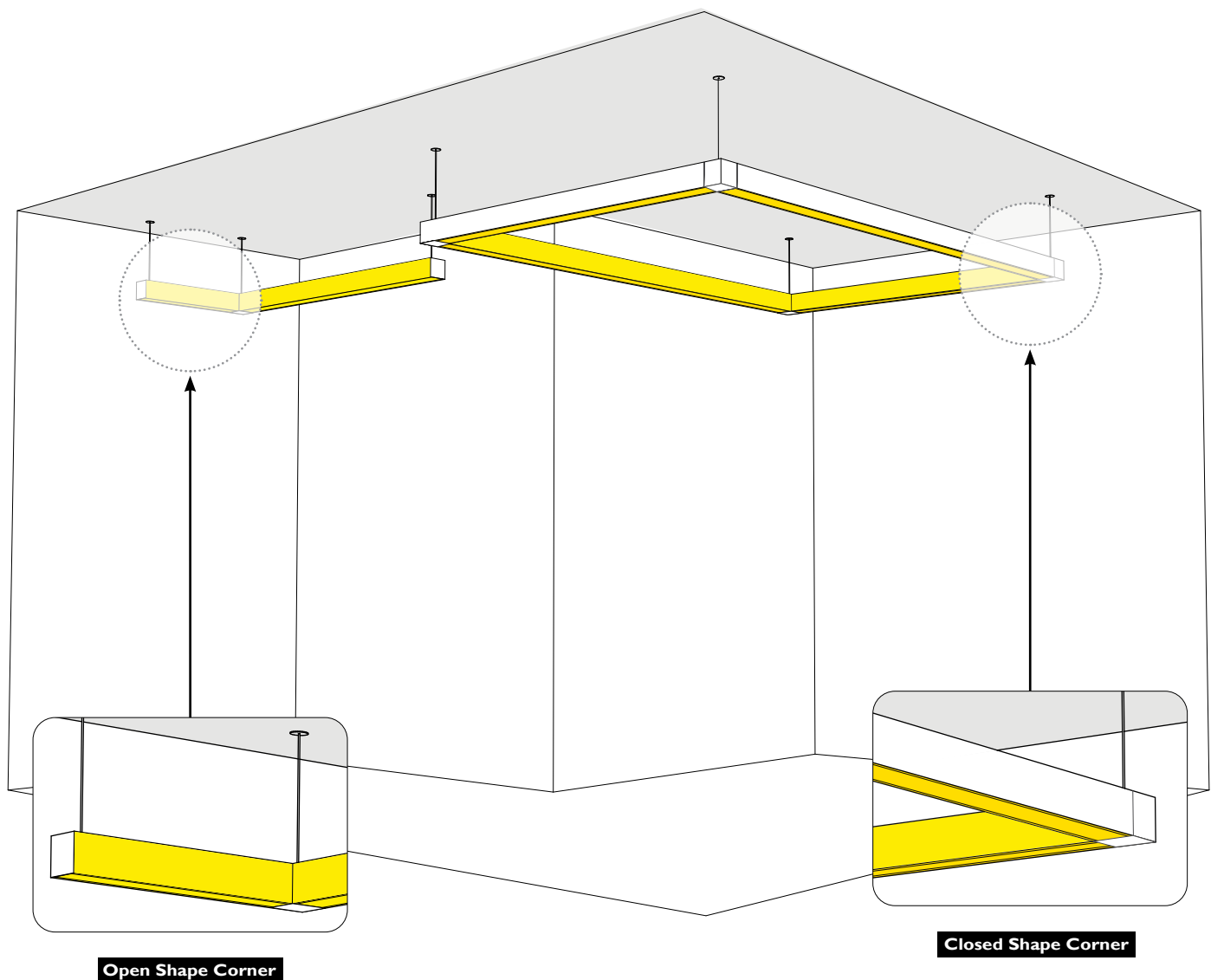
The Lit Corner system allows continuous illumination all the way through the corner section

To optimize corner illumination, lit corners are created as integral components of the linear sections. Linear sections have mitered ends that connect to corresponding mitered ends of neighboring linear sections.

Illuminated Corners are more complex. Because the corner is fully illuminated, the corner is not independent of the straight sections, but integrated into the straight segment's housing. The corner is mitered, allowing a seamless line of light.

Regular Illuminated Corner - A fully illuminated corner that lies on the same plane, for example, the ceiling. There are two corner options available for Regular Lit Corners: **Open Shape Corner** and **Closed Shape Corner**

TIP: Provide sketches illustrating corner types and locations required.



IMPORTANT – all corner patterns must be submitted with drawings indicating dimensions and angles degree.

