

# Beam 2 Square

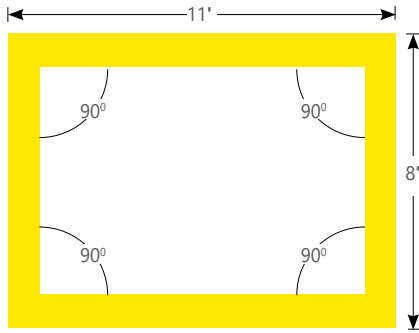
# WALL MOUNT - DIRECT REGULAR LIT CORNER PATTERNS

Project \_\_\_\_\_

Type \_\_\_\_\_

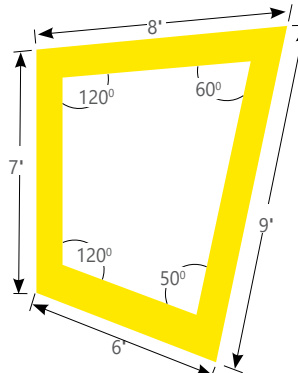
Notes \_\_\_\_\_

**\* Please see page 2 for example on how to specify various right angle patterns.**



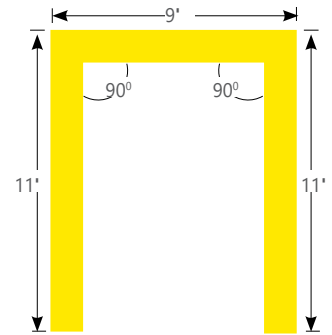
B2SQWLEDPAT	R (11'X8')
PRODUCT ID	PATTERNS AND LENGTH

TOP VIEW - Rectangle Corner Pattern



B2SQWLEDPAT	FF(30)	OPR(120+60+50+120)
PRODUCT ID	PATTERNS AND LENGTH	CORNER DEGREES

TOP VIEW - Corner Pattern



B2SQWLEDPAT	U (9'X11'X11')
PRODUCT ID	PATTERNS AND LENGTH

TOP VIEW - Open Shape Corner Pattern

**IMPORTANT! – all corner patterns must be submitted with drawings indicating dimensions and angles degree.**

## Ordering Guide

PRODUCT ID	PATTERNS AND LENGTH (SELECT ONE)	CORNER DEGREES (OPT.)	LUMENS/FT
B2SQWLEDPAT Beam 2 Square Wall Direct	<b>S(L)*</b> square shape (length) <b>R(LxL)*</b> rectangular shape (length) <b>U(LxLxL)*</b> U shape (length) <b>L(LxL)*</b> L shape (length) <b>T(LxLxL)*</b> T shape (length) <b>X(LxLxLxL)*</b> X shape (length)	<b>FF(L)</b> total pattern length  FREE FORM for various angles. Minimum 2'.	<b>OPR(#)</b> regular lit corner degrees <b>OPI(#)*</b> inside lit corner degrees* <b>OPO(#)*</b> outside lit corner degrees*
	*Comes in 90 degree only.		<b>300</b> 300 lm/ft - Minimum <b>750</b> 750 lm/ft - max for GZ, NW, WW, ASO* <b>1000</b> 1000 lm/ft - max
		Specify for FF option only. Please confirm corner degrees. Min 30° *Only available with SO, 0.25G, 1M, and UB direct shielding options	Outputs between listed min and max are available. * 750 lm/ft max. only for GZ, NW, WW and ASO. Consult factory for outputs outside of the listed range.

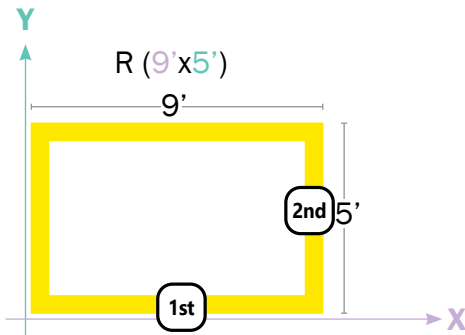
CRI	COLOUR TEMP.	SHIELDING DIRECT	SPECIFY LENGTH	FINISH	VOLTAGE
80 80 CRI	27 2700 K	SO spotless lens	NL nominal	AP aluminum paint	120 120V
90 90 CRI	35 3500 K	L louver *	EX exact	W white	277 277V
	30 3000 K	0.25G 0.25" Glo lens		BLK black	347 347V
	40 4000 K	UB ultra blend lens		C custom	UNV universal
		1M StepLens , lum. end cap			DC low voltage*
		ASO asymmetric, flush only			
		NW narrow, flush only			
		GZ graze, flush only			
		* Only available with 90° corners. Louver only available in 3' and 4' increment.			* Only available with POE drivers.

DRIVER	CIRCUITS	BATTERY	OTHER	IC CONTROLS (OPTIONAL)	CUSTOM (OPTIONAL)
DP dimming (0-10V) 1%	1 1 circuit	B(#) battery pack	F fuse *	DS(#) daylight sensor	C custom
LT(#) Lutron *	2 2 circuits	4' sections	D dust cover	OS(#) occupancy sensor	
BI bi-level dimming	+E(#) emergency circuit *			DOS(#) daylight & occupancy sensor	
O(#) other **	+NL(#) night light circuit *			EN(#) Enlited integral *	
POE(#) POE drivers*	+GTD(#) generator transfer device *			ENR(#) Enlited remote *	
				WC(#) wireless control dimming	
* Specify system	* Specify quantity	Requires 120V or 277V	* Requires 120V or 277V	* Please consult factory	Please specify
** Please consult factory		Please consult factory		See <a href="#">integrated controls guide for more details.</a>	

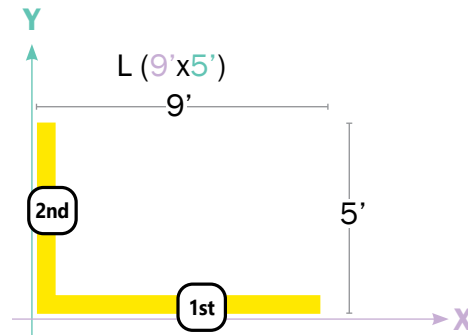
## How to Specify 90 degree Corners and Patterns

### Example

#### Defining R - Rectangular shape

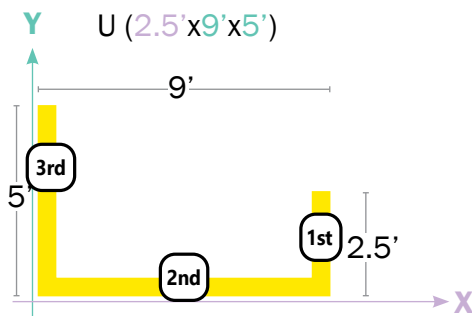


#### Defining L shape



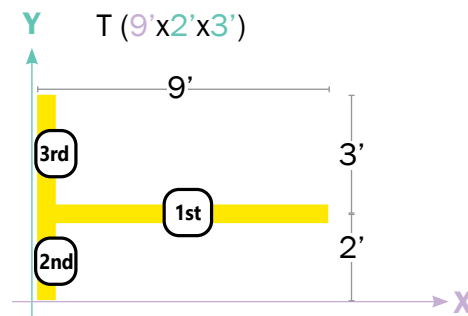
**Note:** The first number will always define the width, the second - the length.

#### Defining U shape



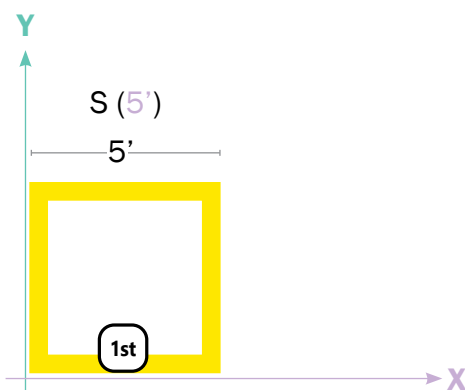
**Note:** The first number will always define the right arm length, the second - the width, and the third - the left arm length.

#### Defining T shape



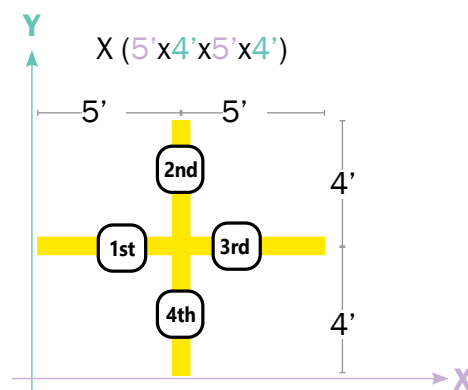
**Note:** The first number will always define the width, the second - the bottom arm length, and the third - the top arm length.

#### Defining S - Square shape



**Note:** The number will define the width. (All sides are the same length).

#### Defining X shape



**Note:** The first number will define length of the left arm, the second - the arm length to the right from the first, and so on until the 4th arm.

### ● LIT CORNER FEATURES

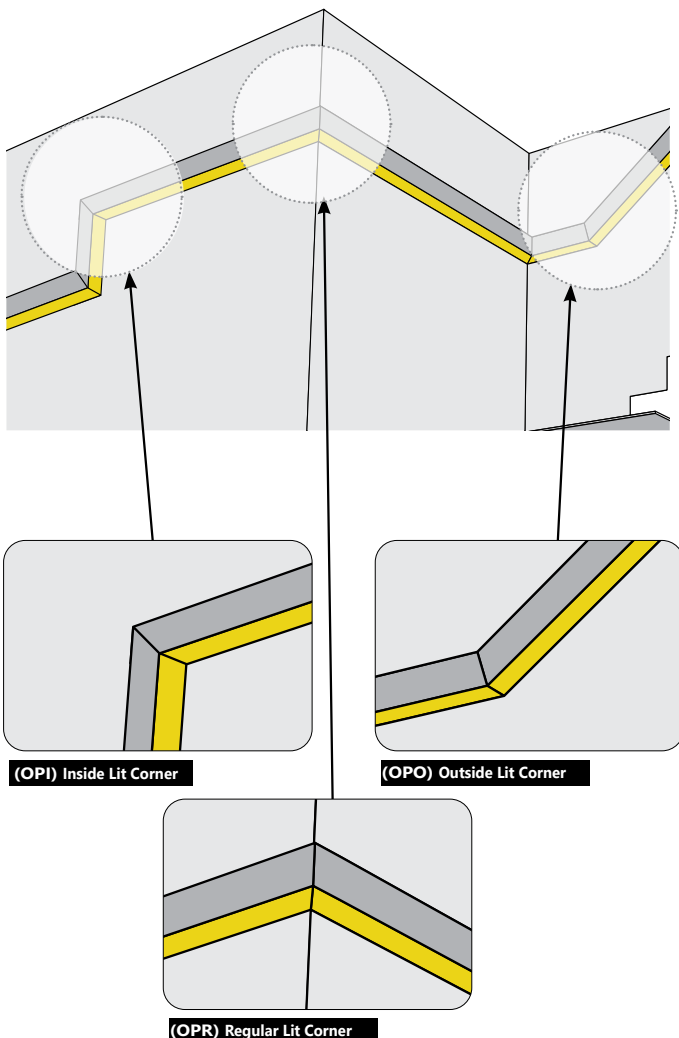
The Lit Corner system allows continuous illumination all the way through the corner section

To optimize corner illumination, lit corners are created as integral components of the linear sections. Linear sections have mitered ends that connect to corresponding mitered ends of neighboring linear sections.

Illuminated Corners are more complex. Because the corner is fully illuminated, the corner is not independent of the straight sections, but integrated into the straight segment's housing. The corner is mitered, allowing a seamless line of light.

**Regular Illuminated Corner** - A fully illuminated corner that lies on the same plane. There are two corner options available for Regular Lit Corners: **Open Shape Corner** and **Closed Shape Corner**

**TIP: Provide sketches illustrating corner types and locations required.**



### ● ELECTRICAL

**Lutron driver\*** LDE1 - Hi-lume 1% EcoSystem with Soft-on, Fade-to-Black  
LTEA - Hi-lume 1% 2-wire (120V forward phase only)  
\*Consult factory

**Other drivers** DALI - Digital Addressable Lighting Interface  
DMX - Digital Multiplex  
Xitanium SR - For wireless sensor

**Power over Ethernet MOLEX**  
**POE drivers\*** IGOR  
(consult factory for more information) SMARTENGINE  
O - Other (Consult factory)  
UL2108 certified for integral or remote driver

**Emergency** Integral emergency battery pack or emergency circuit optional.

**Input Voltage** 120V, 277V, 347V, UNV.

**i** Incorporating these components may have limitations or affect the length of the luminaire. Please contact factory for more details.

### ● LED SYSTEM

**CRI** Minimum 80 or 90 color rendering index.

**CCT** Choice of 2700K, 3000K, 3500K and 4000K color temperature with a great color consistency (within 3-step MacAdam ellipse). Both within fixture and fixture to fixture.

**LED life** Minimum 50,000h with 85% of lumen maintenance in 25°C ambient temperature, in compliance with IES LM-80 testing measurements.

**Thermal Management** Aluminum housing acting as the heat sink to maximize life.

**Environment** Dry and damp rated in operating ambient temperatures of 0-40°C (32-104F).

**Louver LED** Individual LED cluster in each louver cell.

### ● WARRANTY

Axis Lighting will warrant defective LEDs, boards, and drivers for 5 years from date of purchase. Warranty is valid if luminaire is installed and used according to specifications. If defective, Axis will send replacement boards or drivers at no cost along with detailed replacement instructions and instructions on how to return defective components to Axis.

**IMPORTANT – all corner patterns must be submitted with drawings indicating dimensions and angles degree.**

