



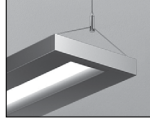
Shown with VL optic



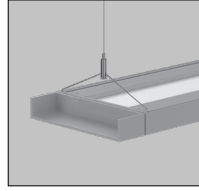
Shown with SM lens



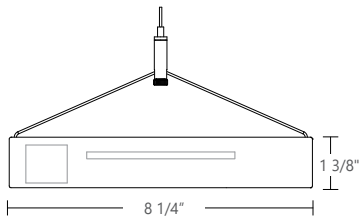
Shown with louver



Shown regressed



Shown with SLE end cap



* Check the latest update on the DLC website for complete information. Not all versions may be DLC qualified.



Project _____

Type _____

Notes _____

PERFORMANCE PER LINEAR FOOT AT 3500K (VL)

DISTRIBUTION	NOMINAL LUMEN OUTPUT		INPUT WATTS FOR 4 FT	EFFICACY
	UP	DOWN		
25up/75down at 1000 lm/ft	250 lm/ft	750 lm/ft	49 W	78 lm/W
25up/75down at 800 lm/ft	200 lm/ft	600 lm/ft	42 W	79 lm/W
35up/65down at 1000 lm/ft	350 lm/ft	650 lm/ft	49 W	82 lm/W
35up/65 down at 800 lm/ft	280 lm/ft	520 lm/ft	42 W	82 lm/W
80up/20down at 1000 lm/ft	800 lm/ft	200 lm/ft	42 W	98 lm/W
80up/20down at 800 lm/ft	640 lm/ft	160 lm/ft	33 W	98 lm/W

REFER TO PHOTOMETRIC DATA SECTION FOR EXACT VALUES

Ordering Guide

SLLED		LIGHT ENGINE		NOMINAL LUMENS/FT		CRI		COLOR TEMP. (choose one)			
PRODUCT ID											
SLLED	Pendant LED	SL 25/75	surroundlite 25%up/75%down semi-direct	600	600 lm/ft	80	80 CRI	30	3000 K	TW2750	2700-5000 K - Tunable White
		SL 35/65	surroundlite 35%up/65%down semi-direct	800	800 lm/ft	90	90 CRI*	35	3500 K	TW2765	2700-6500 K - Tunable White
		SL 80/20	surroundlite 80%up/20%down semi-indirect	1000	1000 lm/ft			40	4000 K	DW3020	3000-2000 K - Dim to Warm
								B30	3000 K - Bios*		
								B35	3500 K - Bios*		
								B40	4000 K - Bios*		
				Applies to both UP & DOWN. Consult factory for outputs outside of the listed range. Consult factory for max output with BIOS. Consult factory for max output with 90 CRI.		Applies to both UP & DOWN. * Not available with Bios.		Consult Axitune technical sheet for more information of color technology. *Consult BIOS guide for more information on BIOS technology. Applies to both UP & DOWN.			

SHIELDING	FIXTURE LENGTH	FINISH	VOLTAGE	DRIVER	CIRCUITS
VL VL optic	4 4'	AP aluminum paint	120 120 V	DP dimming (0-10V) 1%	1 1 circuit*
RE regressed*	5 5'	W white	277 277 V	LT(#) Lutron*	2 2 circuits
SM smooth lens**	8 8'	BLK black	347 347 V*	BI bi-level dimming	2A/B 2 circuit alternating/4ft
PL flat-blade louvers***	12 12'	C custom	UNV universal	O(#) other**	+E(#) emergency section
	S(L) system run		DC low voltage**	DPB(#) dimming (0-10V) 1% with Bios*	+NL(#) night light section
				TW(#) tunable white drivers*	+GTD(#) generator transfer device
				POE(#) POE drivers*	
* Only available with SL80/20 light engine		Applies to both UP & DOWN. *Consult factory ** Only available with POE drivers.		Applies to both UP & DOWN. *See page 4 to specify system **Please consult factory; see page 2	
**Default lens for Color Tuning, Tunable white and BIOS. Consult factory for other lens.				*Control UP & DOWN lights together	
*** Available for 800 lm/ft max.					

MOUNTING/SUSPENSION	BATTERY (OPTIONAL)	END CAP (OPTIONAL)	OTHER	IC CONTROLS	CUSTOM
CA(L) drywall+cable length (36" std.)	B(#) battery pack (integral)	SLE slim end cap	F fuse	DS(#) daylight sensor	C custom
CT9(L) TB/TG 9/16+cable length (36" std.)				OS(#) occupancy sensor	
CT15(L) TB/TG 15/16+cable length (36" std.)				DOS(#) daylight & occupancy sensor	
CTS(L) ST+cable length (36" std.)				EN(#) Enlighted integral	
SA(L) drywall+stem length >48" (18" std.)				ENR(#) Enlighted remote	
+SM seismic option				WC(#) wireless control dimming	
See Ceiling Mount Guide for further details	For minimum 36" long fixture only Not available with 347V Please consult factory	See page 5 for more details.	Requires 120V or 277V	Applies to both UP & DOWN. Specify quantity. Requires 8" blank. See integrated controls guide for more details. Consult factory for Tunable White. Not available with DPB (DYN) driver for BIOS with Dynamic Spectrum.	Please specify



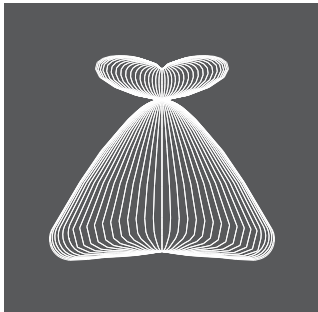
● SURROUNDLITE TECHNOLOGY

SLIM with SurroundLite provides the flexibility of high efficacy spherical three dimensional wide batwing distributions and shielding options that all result in true lighting effectiveness. Slim is only 1.375" depth with integral driver and a light guide with proper cutoff and no view of bugs or dust particles.

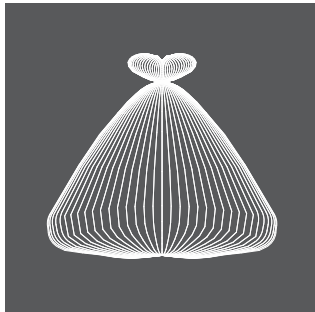
An innovative technology to get much more out of LEDs: Axis SurroundLite is based on the fundamental physics of how light interacts with matter. The specially engineered lightguide is made of precisely coded and aligned molecules that shape LED output in all three dimensions.

With SurroundLite extra-wide, multidimensional light distribution, light is directed in all three planes and sent in every corner of the room. SurroundLite brings the promise of balanced brightness, facilitating lighting design.

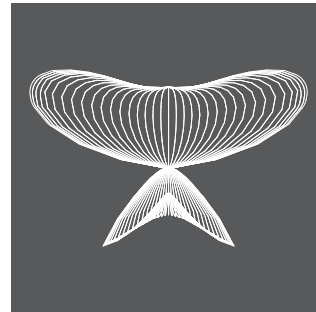
3D Polar Curve (SL 35/65)



3D Polar Curve (SL 25/75)



3D Polar Curve (SL 80/20)



● SURROUNDLITE BENEFITS



Glare Mitigation

VL Optic, louvers and lenses yield lower luminance on the luminaire's light-emitting area.

Reduced 'Cave Effect', Increased Perceived Brightness

Wide 3D batwing uplight distribution lights up corners. Lighting at seam between ceiling and wall. 3D light distribution from luminaire extremities lights up adjacent spaces and vertical planes.

Use of Fewer Luminaires

The 3D nature of light distribution is well suited to checkerboard patterns, reducing the need for continuous rows.

Better Facial Modeling / Facial Recognition

Reflected light from illuminated surfaces within the space results in soft fill light on the vertical plane.

No Streaks or Hot Spots of Light

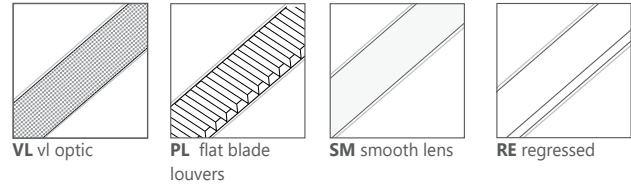
Axis SurroundLite technology spreads out light uniformly versus Lambertian distributions that put an intensity of light directly above and below the luminaire.



● LIGHT GUIDE

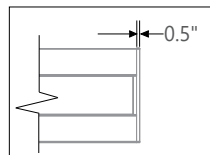
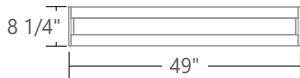
High precision light guide made of PMMA material, allows distribution of controlled light in all 3-dimensions to put light on both vertical and horizontal planes within the space. Patented lightguide design featuring molecular optics and precision-coupled optic components yield a high efficiency luminaire. In-plane mixing maximizes color uniformity while light emitting area is uniform and diffuse without 'head lighting' from the LED's.

● OPTICS



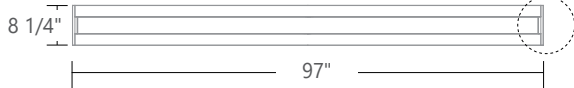
● LENGTHS

SLIM SurroundLite 4ft (4)

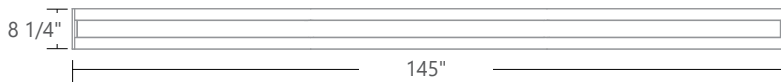


Joining detail for all system run

SLIM SurroundLite 8ft Continuous (with 8' shielding)



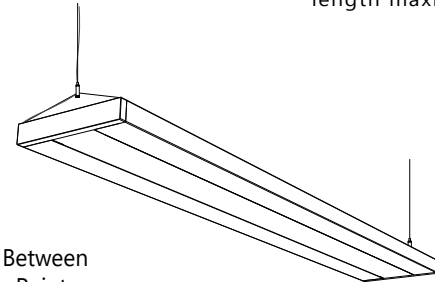
SLIM SurroundLite 12ft (with 12' shielding)



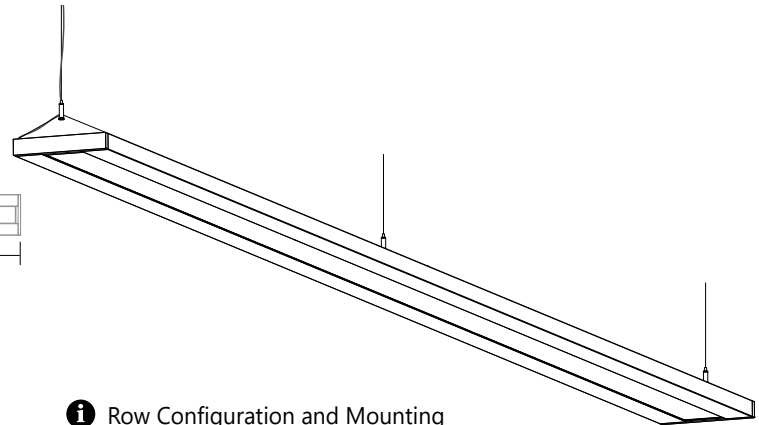
● SUSPENSION / MOUNTING SPACING

Distance Between Mounting Points:
SLIM SL 4ft 48"
SLIM SL 8ft 96"

Standard Suspension Length (Adjustable):
CABLE: 36"
STEM: 18" (For 8' length maximum)



Distance Between Mounting Points:
SLIM SL 12ft 72"



i Row Configuration and Mounting Spacing file is available at: www.axislighting.com under 'Downloads' tab.

● SYSTEMS (S#)

Runs of SLIM SurroundLite that are greater than 12ft in length are designated as systems (S#). This means that the run is comprised of a combination 4ft and/or 8ft sections to be assembled on site using our joining system. For more information on systems and joining, please refer to the SLIM SurroundLite installation sheets available at: www.axislighting.com under 'Downloads' tab.

● WEIGHT

SLIM SurroundLite 4 ft	12 lbs / 5.4 kg
SLIM SurroundLite 8 ft	24 lbs / 10.9 kg
SLIM SurroundLite 12 ft	36 lbs / 16.3 kg

● FINISH

Aluminum paint, powder coated and custom finishes are also available.

● APPROVALS

Certified to UL and CSA standards
 Suitable for damp locations.





CONSTRUCTION

Housing	Extruded aluminum (0.075" nominal)
End Cap	Die cast aluminum (0.10" nominal)
Joiners	Die cast aluminum (0.10" nominal)
Interior Bracket	Die formed zintec (22 gauge)
Top Covers	Cold rolled sheet steel painted (24 gauge)
VL^{opti}	PMMA Precision formed microconical structure; 92 percent transmission that cuts off glare above 55 degrees
Smooth Lens	Uniform frosted acrylic lens
Flat blade louvers	Semispecular aluminum material (electronically anodized) for added visual comfort

ELECTRICAL

Lutron driver*	LDE1 - Hi-lume 1% EcoSystem with Soft-on, Fade-to-Black LTEA - Hi-lume 1% 2-wire (120V forward phase only) <small>*Consult factory</small>
Other drivers**	DALI - Digital Addressable Lighting Interface DMX - Digital Multiplex LV - line voltage - Advance Mark 10 Xitanium SR - For wireless sensor
BIOS DPB drivers*	STC - BIOS control 0-10V with static spectrum and BIOS SkyBlue enabled from 100% to 1%. DYN- BIOS control 0-10V with dynamic spectrum and BIOS SkyBlue® with Bio-Dimming™ enabled 100% to 50%, light output dimming from 49% to 1%.
Tunable White TW drivers*	DALIDT6 - DALI Type 6 (Two DALI Addresses) DALIDT8 - DALI Type 8 (One DALI Address) LTTW - Lutron T-Series Tunable White
Power over Ethernet POE drivers*	MOLEX IGOR O - Other (Consult factory) <small>UL2108 certified for integral or remote driver</small>
Emergency	Integral emergency battery pack or emergency circuit optional.
Input Voltage	120V, 277V, 347V, UNV, DC.

*Choose driver from available options.

i Incorporating these components may have limitations or affect the length of the luminaire. Please contact factory for more details.

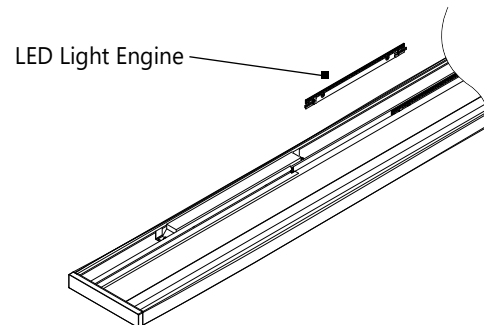
LED SYSTEM

CRI	Minimum 80 or 90 color rendering index.
CRI BIOS	Minimum 80 color rendering index with R9>75 for all CCTs.
CCT Single Color	Choice of 2700K, 3000K, 3500K and 4000K color temperature with a great color consistency (within 3-step MacAdam ellipse). Both within fixture and fixture to fixture.
CCT BIOS	BIOS Static (STC) Choice of 3000K, 3500K and 4000K. BIOS SkyBlue® Dynamic (DYN) Choice of 3000K, 3500K, and 4000K with Bio-Dimming™
	Consult BIOS guide for more information on BIOS technology.
CCT Axitune Systems	Consult Axitune technical sheet for more information on color technology.
LED life	Minimum 50,000h with 85% of lumen maintenance in 25°C ambient temperature, in compliance with IES LM-80 testing measurements.
Thermal Management	Aluminum housing acting as the heat sink to maximize life.
Environment	Dry and damp rated in operating ambient temperatures of 0-40°C (32-104F).

LED UPGRADE / REPLACEMENT

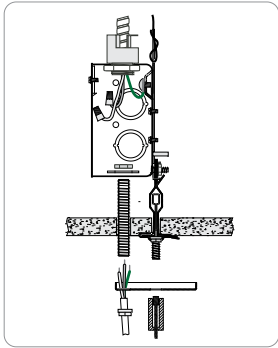
All LED light engines used are field replaceable and upgradable to ensure the lighting system will last for years. Future-proof design comes with easy access to LED light engines from above using quick connectors (included in luminaire) and a screwdriver.

i For more information on LED light engine upgrade and replacement, please refer to the SLIM LED Light Engine Replacement sheet available at: www.axislighting.com under 'Downloads' tab.





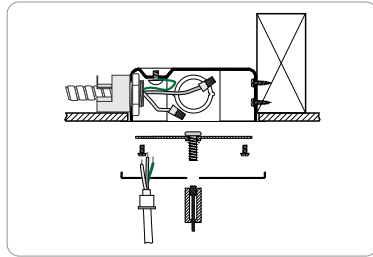
● MOUNTING OPTIONS



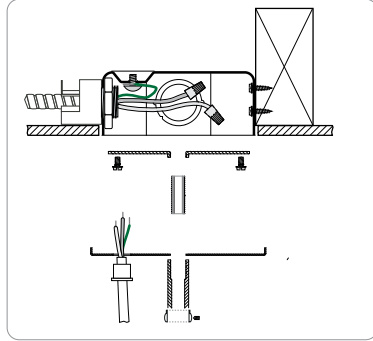
GT TILE CEILING - ON GRID

Mounting options are also available for slope ceiling and seismic bracing.

- i** Installation sheets for all mounting options are available at: www.axislighting.com under 'Downloads' tab.

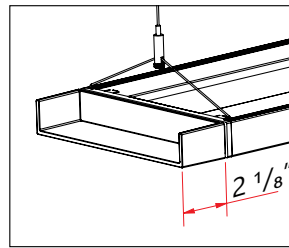


CA DRYWALL CEILING

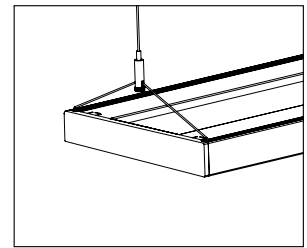


SA STEM MOUNT IN DRYWALL CEILING

● END CAP OPTIONS



SLE Slim end cap Optional



Flat end cap Standard

● OTHER MOUNTING OPTIONS

SLIM SurroundLite is also available as a wall mount.

- i** Specification sheets for pendant mounted SLIM luminaires are available at: www.axislighting.com under 'Downloads' tab.

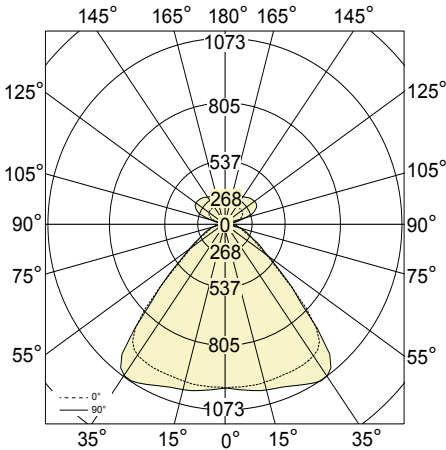


● PHOTOMETRIC DATA

VL LENS (VL)

SLLED-B3-SL-25/75-800-80-35-VL-4-4
25% up / 75% down at 800 lm/ft

PHOTOMETRIC CURVE



Lumen/ft up: 201 lm/ft
Lumen/ft down: 627 lm/ft
Total lumens: 3314 lm (for 4ft)
Input Watts: 42 W
Efficacy: 79 lm/W

CANDELA DISTRIBUTION

Vertical Angle	Horizontal Angles				
	0	22.5	45	67.5	90
0	946	946	946	946	946
5	944	949	949	957	960
15	944	954	968	984	990
25	939	957	988	1017	1029
35	928	959	1000	1044	1072
45	690	671	656	653	642
55	278	299	305	300	293
65	150	161	155	153	161
75	90	94	89	84	89
85	35	30	31	30	23
90	0	0	0	0	0
95	23	22	24	23	24
105	75	93	110	105	106
115	109	133	164	190	201
125	121	148	182	208	217
135	123	147	178	200	207
145	123	142	167	184	189
155	125	143	153	165	167
165	124	131	145	146	146
175	121	122	123	125	125
180	120	120	120	120	120

ZONAL LUMENS

Zone	Lumens
0	
0-10	91
10-20	275
20-30	457
30-40	620
40-50	514
50-60	272
60-70	157
70-80	94
80-90	32
90	
90-100	28
100-110	105
110-120	158
120-130	158
130-140	133
140-150	102
150-160	70
160-170	40
170-180	12
180	

LUMINANCE DATA (cd/m²)

Vertical Angle	Horizontal Angles		
	0	45	90
45	9585	9113	8918
55	4761	5223	5018
65	3486	3603	3742
75	3416	3378	3378
85	3945	3494	2592

CRI:80 shown (for CRI:90 use 0.8 multiplier on watts and efficacy)

IES FILE: SLLED-B3-SL-25-75-800-80-35-VL-4-4-W-120-D-1.IES
 TESTED ACCORDING TO IES LM-79-2008

i All IES files are available for download at: www.axislighting.com

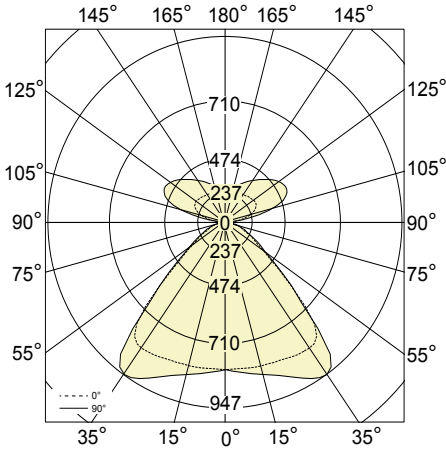


● PHOTOMETRIC DATA

VL LENS (VL)

SLLED-B3-SL-35/65-800-80-35-VL-4-4
35% up / 65% down at 800 lm/ft

PHOTOMETRIC CURVE



Lumen/ft up: 318 lm/ft
Lumen/ft down: 538 lm/ft
Total lumens: 3424 lm (for 4ft)
Input Watts: 42 W
Efficacy: 82 lm/W

CRI:80 shown (for CRI:90 use 0.8 multiplier on watts and efficacy)
IES FILE: SLLED-B3-SL-35-65-800-80-35-VL-4-4-W-120-D-1.IES
TESTED ACCORDING TO IES LM-79-2008

CANDELA DISTRIBUTION

Vertical Angle	Horizontal Angles				
	0	22.5	45	67.5	90
0	752	752	752	752	752
5	750	755	756	762	766
15	757	767	781	797	805
25	767	785	824	860	873
35	783	821	870	919	947
45	605	590	582	583	574
55	245	263	269	265	260
65	131	140	136	134	141
75	78	81	76	73	76
85	30	25	27	26	19
90	0	0	0	0	0
95	40	48	40	35	26
105	128	160	206	234	243
115	180	218	281	341	364
125	190	227	287	339	358
135	181	212	258	297	310
145	172	195	228	254	263
155	167	187	203	218	222
165	161	170	186	190	190
175	153	154	157	159	158
180	152	152	152	152	152

ZONAL LUMENS

Zone	Lumens
0	86
0-10	262
10-20	451
20-30	635
30-40	537
40-50	284
50-60	161
60-70	95
70-80	32
80-90	59
90-100	238
100-110	322
110-120	297
120-130	232
130-140	166
140-150	110
150-160	61
160-170	18
170-180	180

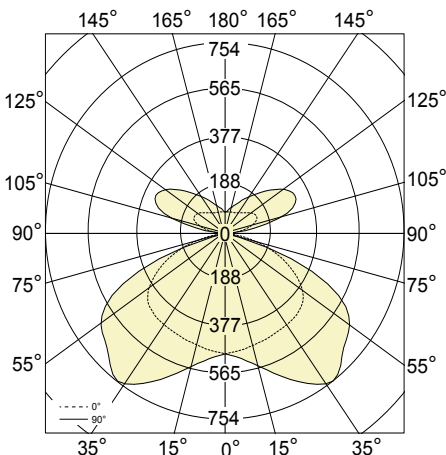
LUMINANCE DATA (cd/m²)

Vertical Angle	Horizontal Angles		
	0	45	90
45	8404	8085	7974
55	4196	4607	4453
65	3045	3161	3277
75	2960	2884	2884
85	3381	3043	2141

FLAT-BLADE LOUVER (PL)

SLLED-B3-SL-35/65-800-80-35-PL-4-4
35% up / 65% down at 800 lm/ft

PHOTOMETRIC CURVE



Lumen/ft up: 254 lm/ft
Lumen/ft down: 548 lm/ft
Total lumens: 3209 lm (for 4ft)
Input Watts: 41.5 W
Efficacy: 77.3 lm/W

CRI:80 shown (for CRI:90 use 0.8 multiplier on watts and efficacy)
IES FILE: SLLED-B3-SL-35-65-800-80-35-PL-4-4-W-120-D-1.IES
TESTED ACCORDING TO IES LM-79-2008

CANDELA DISTRIBUTION

Vertical Angle	Horizontal Angles				
	0	22.5	45	67.5	90
0	487	487	487	487	487
5	481	485	487	497	501
15	468	482	507	543	557
25	458	485	543	613	651
35	452	493	579	678	744
45	443	495	586	654	702
55	401	450	511	567	645
65	293	313	334	391	480
75	147	138	109	71	57
85	21	10	1	0	0
90	0	0	0	0	0
95	36	45	40	33	25
105	111	144	188	221	233
115	148	186	248	308	331
125	141	177	235	290	309
135	119	148	192	230	244
145	102	122	152	176	185
155	93	108	124	137	141
165	90	96	105	110	111
175	88	89	91	91	91
180	88	88	88	88	88

ZONAL LUMENS

Zone	Lumens
0	47
0-10	146
10-20	255
20-30	368
30-40	445
40-50	455
50-60	347
60-70	123
70-80	10
80-90	48
90-100	186
100-110	240
110-120	207
120-130	146
130-140	94
140-150	57
150-160	30
160-170	9
170-180	180

LUMINANCE DATA (cd/m²)

Vertical Angle	Horizontal Angles		
	0	45	90
45	6154	8142	9754
55	6861	8747	11053
65	6811	7756	11162
75	5561	4147	2154
85	2386	95	0

i All IES files are available for download at: www.axislighting.com

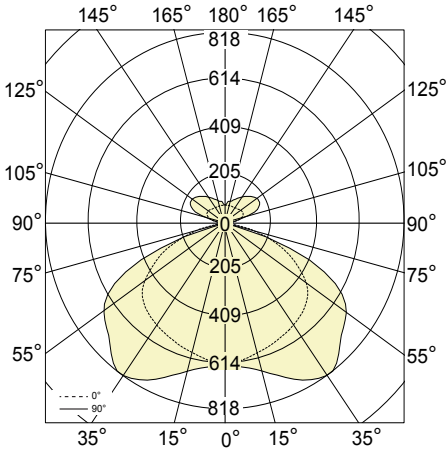


● PHOTOMETRIC DATA

FLAT-BLADE LOUVER (PL)

SLLED-B3-SL-25/75-800-80-35-PL-4-4
25% up / 75% down at 800 lm/ft

PHOTOMETRIC CURVE



Lumen/ft up: 158 lm/ft
Lumen/ft down: 615 lm/ft
Total lumens: 3092 lm (for 4ft)
Input Watts: 41.5 W
Efficacy: 74.5 lm/W

CRI:80 shown (for CRI:90 use 0.8 multiplier on watts and efficacy)
IES FILE: SLLED-B3-SL-25-75-800-80-35-PL-4-4-W-120-D-1.IES
TESTED ACCORDING TO IES LM-79-2008

CANDELA DISTRIBUTION

Vertical Angle	Horizontal Angles				
	0	22.5	45	67.5	90
0	619	619	619	619	619
5	610	614	619	626	630
15	588	601	625	656	673
25	567	588	645	714	755
35	547	581	667	755	817
45	521	566	648	700	751
55	458	501	551	602	684
65	328	339	360	415	507
75	162	151	119	75	58
85	25	13	3	1	0
90	0	0	0	0	0
95	21	15	12	10	9
105	67	80	94	80	76
115	92	113	140	164	173
125	94	118	149	176	185
135	88	109	136	160	168
145	83	99	120	137	142
155	80	97	106	116	119
165	80	90	99	100	100
175	80	81	82	85	86
180	80	80	80	80	80

ZONAL LUMENS

Zone	Lumens
0	
0-10	59
10-20	178
20-30	302
30-40	420
40-50	492
50-60	494
60-70	373
70-80	134
80-90	12
90	
90-100	18
100-110	86
110-120	134
120-130	130
130-140	103
140-150	74
150-160	49
160-170	27
170-180	8
180	

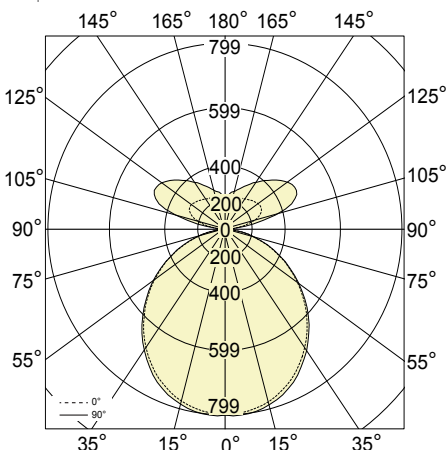
LUMINANCE DATA (cd/m²)

Vertical Angle	Horizontal Angles		
	0	45	90
45	7236	9001	10436
55	7847	9443	11706
65	7619	8367	11772
75	6140	4532	2218
85	2768	286	0

SMOOTH LENS (SM)

SLLED-B3-SL-35/65-800-80-35-SM-4-4
35% up / 65% down at 800 lm/ft

PHOTOMETRIC CURVE



Lumen/ft up: 304 lm/ft
Lumen/ft down: 553 lm/ft
Total lumens: 3428 lm (for 4ft)
Input Watts: 42 W
Efficacy: 82 lm/W

CRI:80 shown (for CRI:90 use 0.8 multiplier on watts and efficacy)
IES FILE: SLLED-B3-SL-35-65-800-80-35-SM-4-4-W-120-D-1.IES
TESTED ACCORDING TO IES LM-79-2008

CANDELA DISTRIBUTION

Vertical Angle	Horizontal Angles				
	796	796	796	796	796
0	789	793	792	797	799
5	762	767	768	773	776
15	705	710	713	719	723
25	621	624	629	632	635
35	515	518	521	525	526
45	395	397	399	401	401
55	266	266	268	269	269
65	136	138	138	139	138
75	25	25	23	22	22
85	0	0	0	0	0
90	40	45	41	42	37
95	127	156	200	225	232
105	178	214	274	332	353
115	184	221	278	329	347
125	171	201	247	284	297
135	157	180	211	237	245
145	148	166	182	197	201
155	142	150	163	168	168
165	139	141	142	144	144
175	139	139	139	139	139
180	164	164	164	164	164

ZONAL LUMENS

Zone	Lumens
0	
0-10	76
10-20	217
20-30	329
30-40	393
40-50	402
50-60	356
60-70	265
70-80	146
80-90	31
90	
90-100	50
100-110	196
110-120	266
120-130	244
130-140	187
140-150	131
150-160	84
160-170	45
170-180	14
180	

LUMINANCE DATA (cd/m²)

Vertical Angle	Horizontal Angles		
	0	45	90
45	7154	7237	7307
55	6764	6833	6867
65	6182	6229	6252
75	5161	5237	5237
85	2818	2592	2479

i All IES files are available for download at: www.axislighting.com

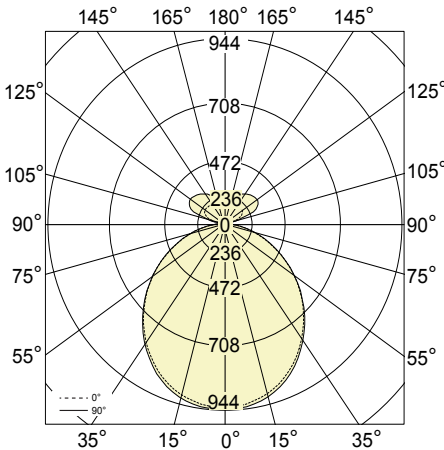


PHOTOMETRIC DATA

SMOOTH LENS (SM)

SLLED-B3-SL-25/75-800-80-35-SM-4-4
25% up / 75% down at 800 lm/ft

PHOTOMETRIC CURVE



Lumen/ft up: 194 lm/ft
Lumen/ft down: 642 lm/ft
Total lumens: 3345 lm (for 4ft)
Input Watts: 42 W
Efficacy: 80 lm/W

CRI:80 shown (for CRI:90 use 0.8 multiplier on watts and efficacy)
IES FILE: SLLED-B3-SL-25-75-800-80-35-SM-4-4-W-120-D-1.IES
TESTED ACCORDING TO IES LM-79-2008

CANDELA DISTRIBUTION

Vertical Angle	Horizontal Angles				
	0	22.5	45	67.5	90
0	940	940	940	940	940
5	932	936	935	940	944
15	897	904	904	908	913
25	827	832	835	839	843
35	724	728	732	733	736
45	599	601	603	605	606
55	458	459	460	460	460
65	307	308	308	308	308
75	158	159	160	159	158
85	31	31	29	28	27
90	0	0	0	0	0
95	23	21	23	25	24
105	75	90	108	100	100
115	109	131	161	188	199
125	119	143	177	204	215
135	117	140	170	194	202
145	115	132	157	176	181
155	113	129	141	154	157
165	112	120	130	135	134
175	112	113	114	117	117
180	112	112	112	112	112

ZONAL LUMENS

Zone	Lumens
0	89
0-10	255
10-20	385
20-30	457
30-40	465
40-50	410
50-60	305
60-70	169
70-80	38
80-90	27
90	103
90-100	155
100-110	154
110-120	128
120-130	96
130-140	65
140-150	36
150-160	11
160-170	
170-180	
180	

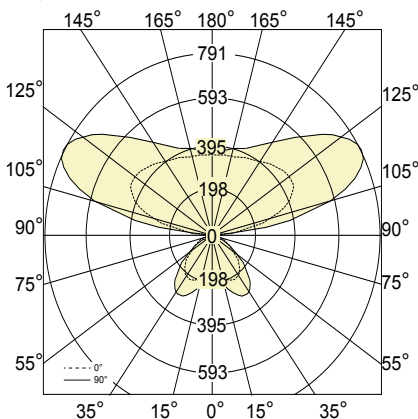
LUMINANCE DATA (cd/m²)

Vertical Angle	Horizontal Angles		
	0	45	90
45	8321	8376	8418
55	7843	7878	7878
65	7135	7159	7159
75	5996	6072	5996
85	3494	3268	3043

REGRESSED (RE)

SLLED-B3-SL-80/20-800-80-35-RE-4-4
80% up / 20% down at 800 lm/ft

PHOTOMETRIC CURVE



Lumen/ft up: 657 lm/ft
Lumen/ft down: 177 lm/ft
Total lumens: 3335 lm (for 4ft)
Input Watts: 33 W
Efficacy: 101 lm/W

CRI:80 shown (for CRI:90 use 0.8 multiplier on watts and efficacy)
IES FILE: SLLED-B3-SL-80-20-800-80-35-RE-4-4-W-120-D-1.IES
TESTED ACCORDING TO IES LM-79-2008

CANDELA DISTRIBUTION

Vertical Angle	Horizontal Angles				
	0	22.5	45	67.5	90
0	169	169	169	169	169
5	171	172	173	177	178
15	190	197	207	220	224
25	214	226	251	278	285
35	215	230	261	289	300
45	175	189	205	227	236
55	115	119	123	133	137
65	67	61	59	60	59
75	31	23	18	12	9
85	2	0	0	0	0
90	0	0	0	0	0
95	90	87	98	106	107
105	289	310	389	509	571
115	415	453	559	706	782
125	441	478	571	686	742
135	418	447	507	576	606
145	389	414	443	477	491
155	366	389	402	413	417
165	353	358	381	385	386
175	346	348	351	352	352
180	347	347	347	347	347

ZONAL LUMENS

Zone	Lumens
0	17
0-10	60
10-20	116
20-30	160
30-40	158
40-50	113
50-60	61
60-70	20
70-80	1
80-90	118
90	426
90-100	566
100-110	519
110-120	396
120-130	280
130-140	186
140-150	106
150-160	34
160-170	
170-180	
180	

LUMINANCE DATA (cd/m²)

Vertical Angle	Horizontal Angles		
	0	45	90
45	2427	2850	3283
55	1977	2111	2351
65	1559	1378	1378
75	1184	681	326
85	264	0	0

i All IES files are available for download at: www.axislighting.com