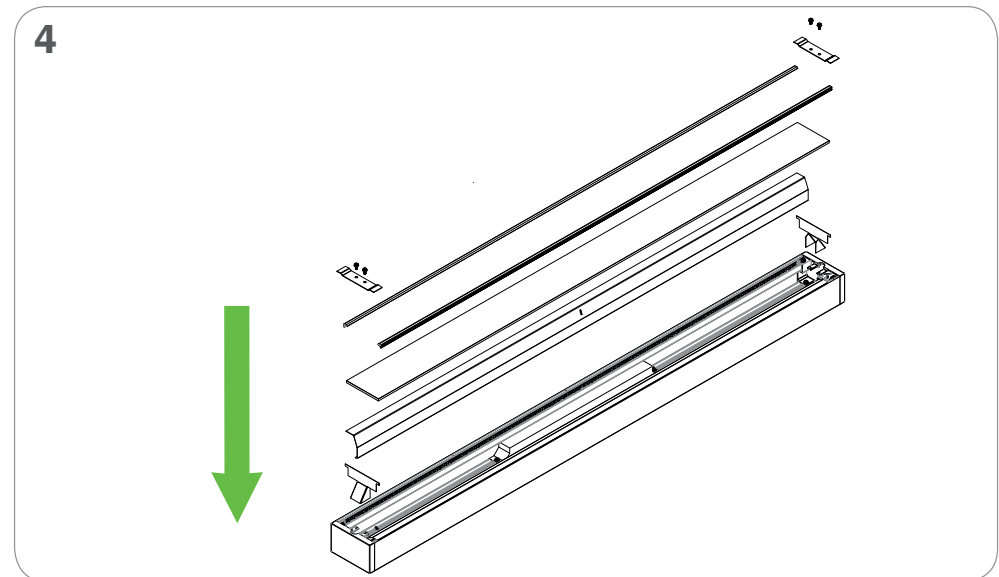
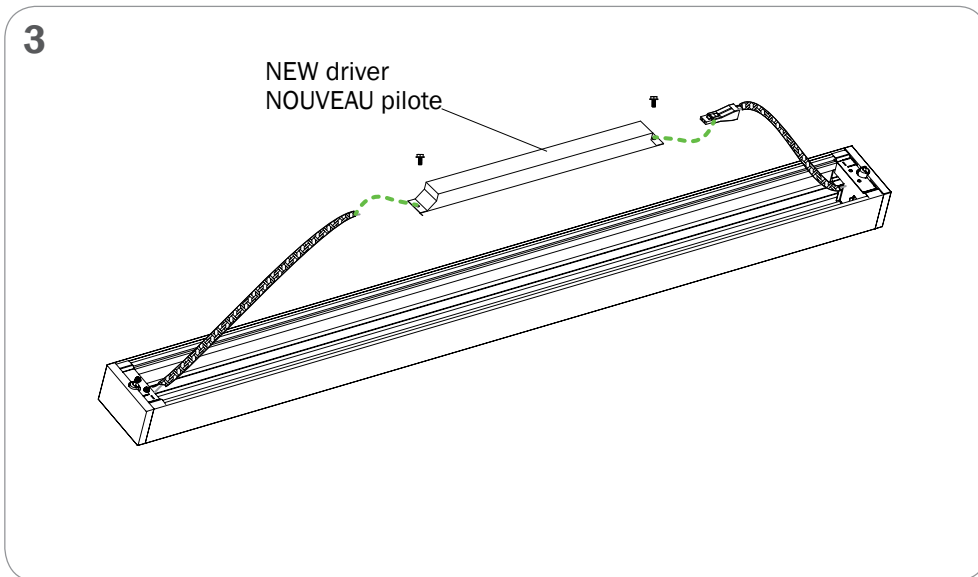
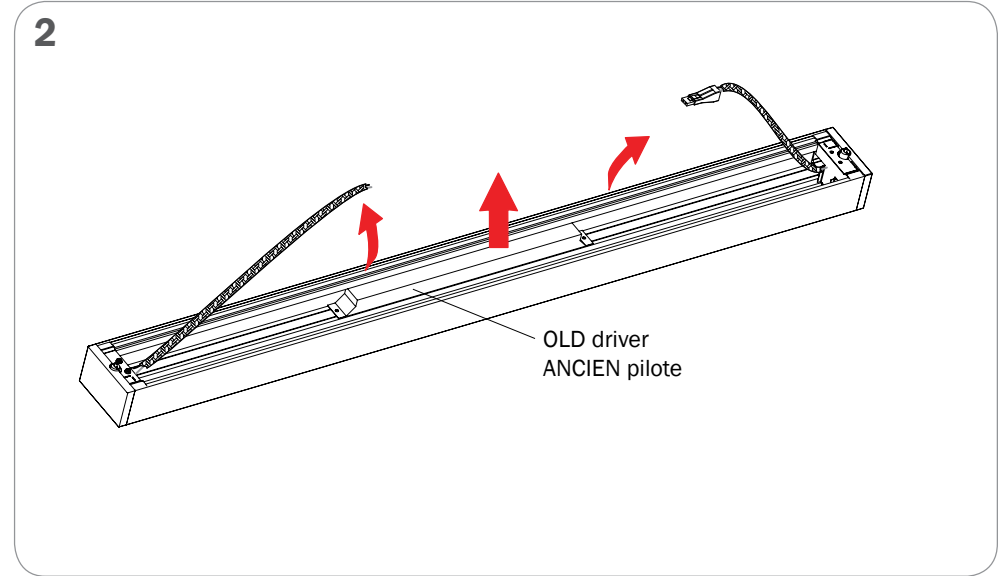
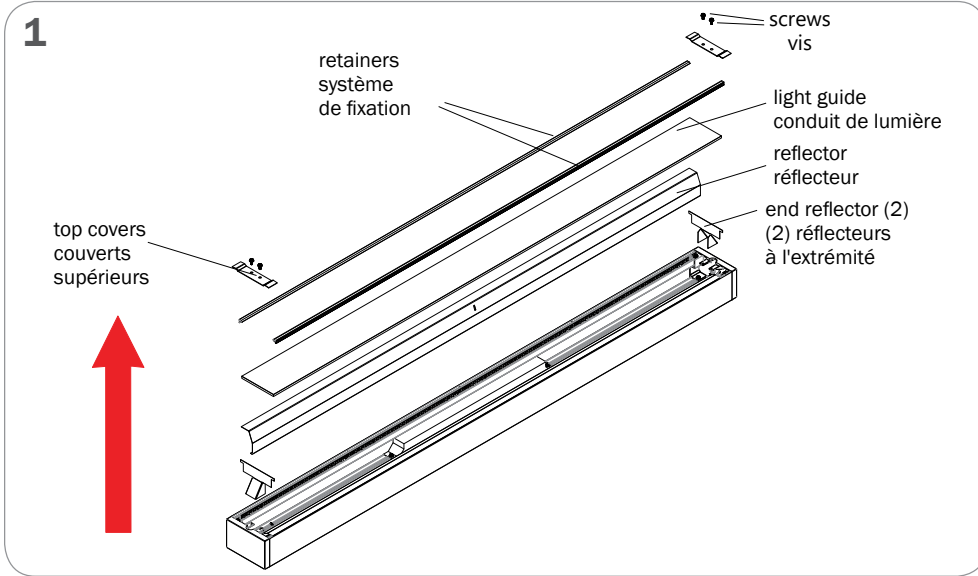


TWIG SurroundLite™

DRIVER REPLACEMENT INSTRUCTIONS DIRECTIVES DE REMPLACEMENT DE PILOTE

NOTE: ENSURE THAT THE POWER TO THE FIXTURE'S CIRCUIT IS TURNED OFF.

NOTE: VOUS ASSUREZ QUE L'ALIMENTATION DU CIRCUIT AU LUMINAIRE EST COUPÉE.



La conception et le développement font partie d'un processus d'évolution continu chez Éclairage Axis. Nous nous réservons le droit de changer les spécifications. Pour obtenir l'information la plus récente sur le produit, veuillez contacter Axis.

Product design and development is an ongoing process at Axis Lighting. We reserve the right to change specifications. Contact Axis for the latest product information. © 2016 Axis Lighting Inc. 1.800.263.2947 [T]514.948.6272

NOM DE FILIÈRE / FILE NAME: TW.DRIVER.INST
RÉVISION 001 / REVISION 001

24 / 01 / 2019



AVERTISSEMENT : LOCALISER TOUS LES CIRCUITS ET CABLES. RISK OF FIRE AND ELECTRICAL SHOCK. FIXTURE MUST BE INSTALLED BY A QUALIFIED ELECTRICIAN ONLY IN ACCORDANCE WITH NATIONAL, LOCAL BUILDING AND ELECTRICAL CODES. DISCONNECT POWER AT ELECTRICAL PANEL BEFORE SERVICING.

WARNING : LOCATE ALL POWER CONDUITS AND CABLES. RISK OF FIRE AND ELECTRICAL SHOCK. FIXTURE MUST BE INSTALLED BY A QUALIFIED ELECTRICIAN ONLY IN ACCORDANCE WITH NATIONAL, LOCAL BUILDING AND ELECTRICAL CODES. DISCONNECT POWER AT ELECTRICAL PANEL BEFORE SERVICING.