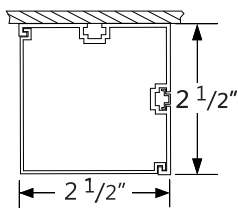
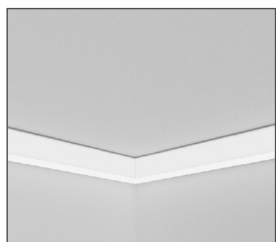


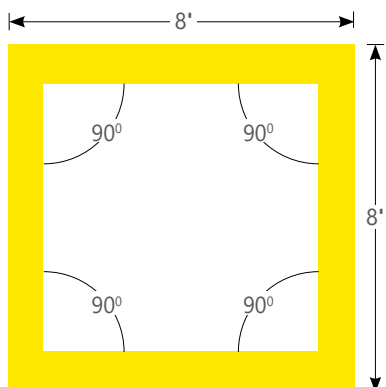
EDGE 2 | SURFACE MOUNT REGULAR LIT CORNER PATTERNS



Project _____

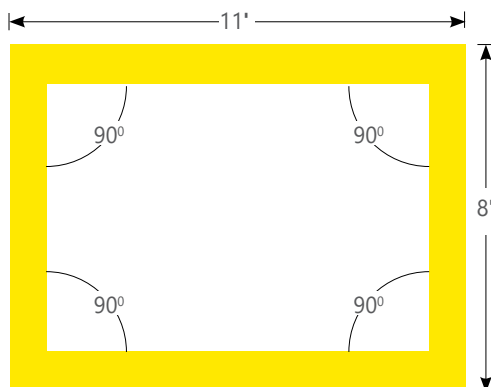
Type _____

Notes _____



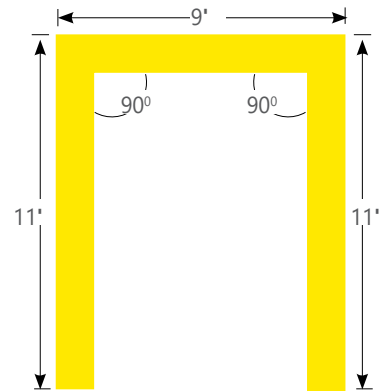
ED2SPAT	SQ	90+90+90+90	32'
PRODUCT ID	PATTERNS	CORNER DEGREES	LENGTH/FT

TOP VIEW - Square Corner Pattern



ED2SPAT	REC	90+90+90+90	38'
PRODUCT ID	PATTERNS	CORNER DEGREES	LENGTH/FT

TOP VIEW - Rectangle Corner Pattern



ED2SPAT	OPR	90+90	31'
PRODUCT ID	PATTERNS	CORNER DEGREES	LENGTH/FT

TOP VIEW - Open Shape Corner Pattern

IMPORTANT – all corner patterns must be submitted with drawings indicating dimensions and angles degree.

Ordering Guide

PRODUCT ID	PATTERNS	CORNER DEGREES	LUMENS/FT DIRECT	CRI	COLOUR TEMP.	SHIELDING
ED2SPAT ED2SPAT Surface Mount LED	SQ square regular lit corners	90 90 degrees	400 400 lm/ft - Min	80 80 CRI	27 2700 K	UB Ultra Blend Lens
	REC rectangle regular lit corners		1000 1000 lm/ft - Max	90 90 CRI	35 3500 K	
	OPRI open shape regular interior lit corners				30 3000 K 40 4000 K	
			Outputs between listed min and max are available. Consult factory for outputs outside of the listed range.			

MOUNTING POSITION	GROOVE FINISH (OPTIONAL)	LENGTH/FT	SPECIFY LENGTH	FINISH	VOLTAGE	DRIVER
SCE Surface ceiling	AP aluminum paint	(L) total pattern length	NL nominal	AP aluminum paint	120 120 V	DP dimming (0-10V) 1% - integral*
SCO Surface corner*	W white BLK black C custom		EX exact	W white BLK black C custom	277 277 V 347 347 V* UNV universal DC low voltage**	LT Lutron-remote ⁽¹⁾ - remote** BI bi-level dimming - remote** O other ⁽²⁾ - remote*
*Not available with groove finish	Not applicable for surface corner mounting position (SCO) See page 2 for more details	Please consult factory			* Remote driver only. ** Only available with POE drivers.	* Not available with 347V ** Remote driver ⁽¹⁾ Specify system. Remote only. ⁽²⁾ Please consult factory

CIRCUITS	MOUNTING/SUSPENSION	END CAP	BATTERY - REMOTE (OPTIONAL)	OTHER	IC CONTROLS (OPT.)	CUSTOM (OPT.)
1 1 circuit 2 2 circuits +E(#) emergency circuit	SB9 surface TB/TG 9/16 SB15 surface TB/TG 15/16 SBS surface screw slot t-bar S surface drywall ceiling SC surface solid ceiling	FL flat standard	B(#) remote battery pack	F fuse *	DS(#) daylight sensor OS(#) occupancy sensor DOS(#) daylight & occupancy sensor EN(#) Enlighted integral * ENR(#) Enlighted remote * WC(#) wireless control dimming	C custom
		For close end cap only	Remote only	* Requires 120V or 277V	* Please consult factory See integrated controls guide for more details.	Please specify

EDGE 2 | SURFACE MOUNT REGULAR LIT CORNER PATTERNS

● LIT CORNER FEATURES

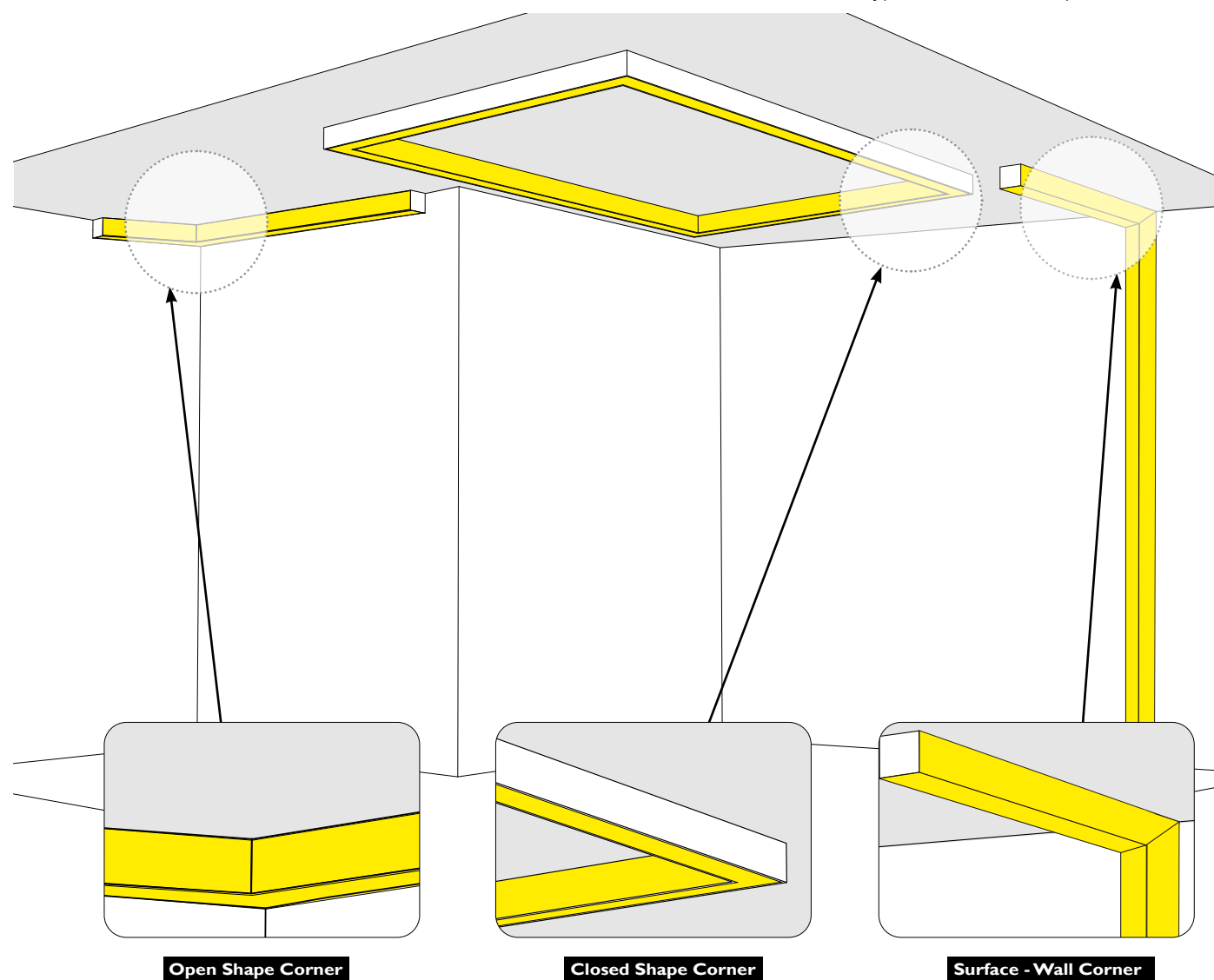
The Lit Corner system allows continuous illumination all the way through the corner section

To optimize corner illumination, lit corners are created as integral components of the linear sections. Linear sections have mitered ends that connect to corresponding mitered ends of neighboring linear sections.

Illuminated Corners are more complex. Because the corner is fully illuminated, the corner is not independent of the straight sections, but integrated into the straight segment's housing. The corner is mitered, allowing a seamless line of light.

Regular Illuminated Corner - A fully illuminated corner that lies on the same plane, for example, the ceiling. There are two corner options available for Regular Lit Corners: **Open Shape Corner** and **Closed Shape Corner**

TIP: Provide sketches illustrating corner types and locations required.



IMPORTANT – all corner patterns must be submitted with drawings indicating dimensions and angles degree.

