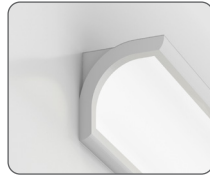


# ELLE 90°

## Wall Mount



Flat end cap shown



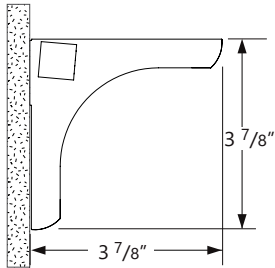
Step end cap shown

Project \_\_\_\_\_

Type \_\_\_\_\_

Notes \_\_\_\_\_

\_\_\_\_\_



Section view - 90° Wall Mount.

- Curved illuminated surface enabled by patent-pending CLS lightguide technology
- Tunable white or static CCT options
- Hairline joiner for continuously illuminated runs
- Integral Axis mini constant current driver, 0-10V dimming standard
- Individual lengths up to 8 ft
- Drywall flange rail for wall mounting embeds in 5/8" (min.) drywall without stud modification



### Ordering Guide

| EL90                     |                  | AR   |           |   |                 | CLS             |   |                 |                   |
|--------------------------|------------------|--|-----------|---|-----------------|-----------------|---|-----------------|-------------------|
| PRODUCT ID               | LINE             | NOM. LUMENS/FT   | CRI       | COLOR TEMP.   |                 | SHIELDING       | LENGTH  | FINISH          |                   |
| EL90 Elle Wall 90° Mount | AR architectural | 350 350 lm/ft - Min  | 80 80 CRI | 27 2700 K   | CLS Curved Lens | 1.5 1.5' - min* | 8 8' - max*   | S(L) system run | AP aluminum paint |
|                          |                  | 1000 1000 lm/ft - Max  | 90 90 CRI | 30 3000 K   |                 |                 |   |                 | W white           |
|                          |                  |  |           | 35 3500 K   |                 |                 |   |                 | BLK black         |
|                          |                  |  |           | 40 4000 K   |                 |                 |   |                 | C custom          |
|                          |                  |  |           | TW2750 2700-5000 K - Tunable White  |                 |                 |   |                 |                   |
|                          |                  |  |           | TW2765 2700-6500 K - Tunable White  |                 |                 |   |                 |                   |
|                          |                  | Outputs between listed min and max are available. Consult factory for outputs outside of the listed range. |           | * Consult Axitune technical sheet for more information of color technology.<br>* Remote driver only; 2ft minimum luminaire length |                 |                 | * Specify length. 0.5 ft increments available. 1.5 ft minimum and up to 8 ft for stand alone. For all other lengths and related outputs, please consult factory; 2 ft minimum with tunable white. |                 |                   |

| VOLTAGE  | DRIVER   | CIRCUITS                  | MOUNTING/SUSPENSION                             |
|--|--|---------------------------|---|
| 120 120 V  | DP dimming (0-10V) 1% - integral*  | 1 1 circuit               | MT mounting rail for drywall and solid surfaces |
| 277 277 V  | LT Lutron - remote **  | +E(##) emergency circuit* | DF drywall flange rail*                         |
| 347 347 V*   | O other - remote***  |                           | DS drywall spackle flange rail                  |
| UNV universal  | TW(#) tunable white - remote**   |                           |   |
| DC low voltage**   | POE(#) POE drivers - remote**  |                           |   |
| * Remote driver only.<br>** Only available with POE drivers. | * Not available with 347V<br>** Specify system, see page 2. Remote only.<br>*** Please consult factory; see page 2 | * Specify quantity        | * 5/8" minimum drywall thickness required.      |

| END CAP | BATTERY - REMOTE (OPTIONAL) | OTHER (OPTIONAL)   | CUSTOM (OPTIONAL) |
|---------|-----------------------------|--|-------------------|
| FL flat | B(#) remote battery pack    | F fuse*  | C custom          |
| ST step |                             | EF end feed**  |                   |
|         | Remote only                 | *Requires 120V or 277V<br>** Not available with flex whip wiring. Cord is included (3 ft cord length standard; consult factory for other lengths.) | Please specify    |

### ● SPECIFICATIONS

#### CONSTRUCTION

|                          |   |
|--------------------------|---|
| <b>Housing</b>           | Extruded aluminum (0.075" nominal)<br>Up to 70% recycled content                                    |
| <b>End Cap</b>           | Cast aluminum   |
| <b>Interior Brackets</b> | Die formed sheet steel (24 gauge)   |
| <b>Lenses</b>            | Dual optical system with curved PMMA light guide and polycarbonate lens for added impact protection |

### ● ELECTRICAL

|   |  |
|---|--|
| <b>Mini driver</b>  | ELLE features integral mini driver technology. 0-10V dimming standard.   |
| <b>Lutron driver*</b>   | LDE1 - EcoSystem H-Series (1%)<br>LDE5 - EcoSystem 5-Series (5%)<br>LTE - Hi-Lume® A-series 2Wires Forward Phase (1%)<br>*Consult factory                                |
| <b>Other drivers*</b>   | DALI - Digital Addressable Lighting Interface<br>DMX - Digital Multiplex<br>LV - line voltage - Advance Mark 10<br>Xitanium SR - For wireless sensor<br>*Consult factory |
| <b>Tunable White TW driver options (remote only)</b>  | DALIDT6 - DALI Type 6 (Two DALI Addresses)<br>DALIDT8 - DALI Type 8 (One DALI Address)<br>LTTW - Lutron T-Series Tunable White   |
| <b>Power over Ethernet POE drivers* (consult factory for more information) UL2108 certified for integral or remote driver</b> | MOLEX<br>IGOR<br>O - Other (Consult factory)   |
| <b>Emergency*</b>   | Integral emergency battery pack or emergency circuit optional.<br>*Consult factory   |
| <b>Input Voltage</b>  | 120V, 277V, UNV.   |

**i** Incorporating these components may have limitations or affect the length of the luminaire, please contact factory for more details.

### ● LED SYSTEM

|                            |   |
|----------------------------|---|
| <b>CRI</b>                 | Minimum 80 or 90 color rendering index.   |
| <b>CCT</b>                 | Choice of 2700K, 3000K, 3500K and 4000K color temperature with a great color consistency (within 2.5-step MacAdam ellipse). Both within fixture and fixture to fixture. |
| <b>CCT Axitune Systems</b> | <a href="#">Consult Axitune technical sheet for more information on color technology.</a>   |
| <b>LED life</b>            | Minimum 50,000h with 85% of lumen maintenance in 25°C ambient temperature, in compliance with IES LM-80 testing measurements.   |
| <b>Thermal Management</b>  | Aluminum housing acting as the heat sink to maximize life.  |

### ● WEIGHT

|             |                   |
|-------------|-------------------|
| <b>4 ft</b> | 9.7 lbs / 4.4 kg  |
| <b>8 ft</b> | 19.4 lbs / 8.8 kg |

### ● OPTICS

#### CLS (Curved Luminous Surface)

Patent pending Curved Luminous Surface optic (CLS) allows for visual comfort through controlled luminance while offering superior lens uniformity.

### ● SYSTEM S(L)

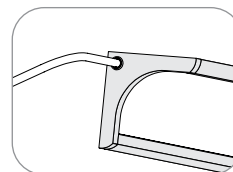
ELLE linear systems, with the use of a strong profile, allow for a nearly hair thin connection system of continuous runs. Lengths of 2', 3', 4', 8' as well as custom lengths are available. Runs of ELLE that are greater than 8' in length are designated as systems (S(L)). This means that the run is comprised of a combination of 4' to 8' sections to be assembled on site using our joining system. For more information on systems and joining, please refer to the ELLE installation sheets available for download at [www.axislighting.com](http://www.axislighting.com).

### ● WARRANTY

Axis Lighting will warrant defective LEDs, boards, and drivers for 5 years from date of purchase. Warranty is valid if luminaire is installed and used according to specifications. If defective, Axis will send replacement boards or drivers at no cost along with detailed replacement instructions and instructions on how to return defective components to Axis.

**i** Specification sheets and installation sheets for all mountings for ELLE luminaires are available for download at [www.axislighting.com](http://www.axislighting.com).

### ● END FEED (OPTIONAL)

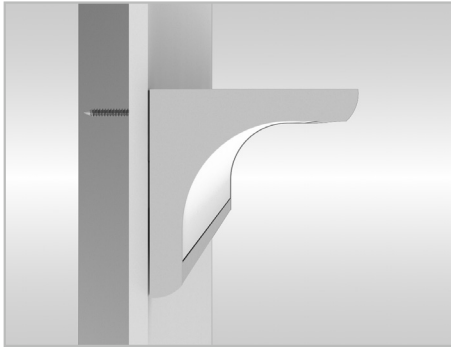


End feed power supply wiring is available for installations without back-feed wiring access.

### Mounting flexibility, multiple application solutions

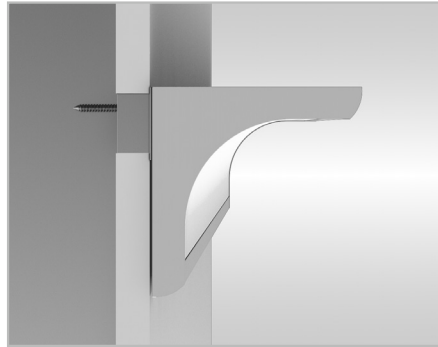
Choose from surface mount (MT) or recessed mount (DF) or spackle mount (DS) rails.

**SURFACE MOUNT  
RAIL (MT)**



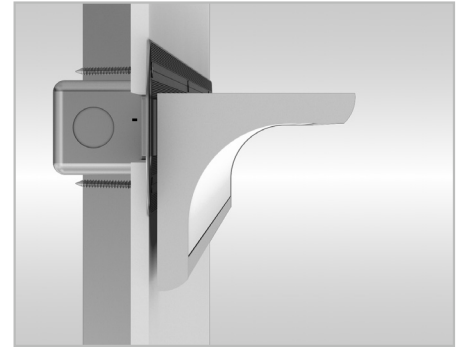
**DRYWALL FLANGE  
(DF)\***

Flush with wall



**DRYWALL SPACKLE  
(DS)**

Flush with wall



\*min 5/8 thick drywall

### PERFORMANCE AT 3500K FOR 4 FOOT LUMINAIRE

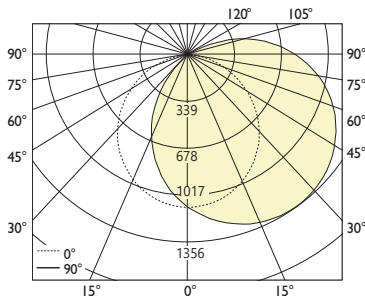
| NOMINAL LUMEN OUTPUT | LUMINAIRE LUMENS | INPUT WATTS* | EFFICACY | Estd. L85 LED Life (hrs.) |
|----------------------|------------------|--------------|----------|---------------------------|
| 350 lm/ft            | 1405 lm          | 14.20 W      | 99 lm/W  | 50000, min                |
| 750 lm/ft            | 3011 lm          | 30.42 W      | 99 lm/W  | 50000, min                |
| 1000 lm/ft           | 4000 lm          | 40.55W       | 99 lm/W  | 50000, min                |

Please consult factory for custom lumen output and wattage.

### PHOTOMETRIC DATA

#### PHOTOMETRIC CURVE

1000 lm/ft



**Luminaire Lumens: 4014 lm**  
**Input Watts: 40.55 W**  
**Efficacy: 99 lm/W**  
 IES FILE: EL90-AR-1000-80-35-CLS-4.IES

TESTED ACCORDING TO IES LM-79-2008

#### CANDELA DISTRIBUTION

| Vertical Angle | Horizontal Angles |      |      |      |      |
|----------------|-------------------|------|------|------|------|
|                | 0                 | 22.5 | 45   | 67.5 | 90   |
| 0              | 973               | 973  | 973  | 973  | 973  |
| 5              | 962               | 995  | 1024 | 1045 | 1054 |
| 15             | 919               | 1014 | 1097 | 1156 | 1185 |
| 25             | 848               | 1005 | 1142 | 1231 | 1280 |
| 35             | 750               | 964  | 1152 | 1280 | 1338 |
| 45             | 625               | 891  | 1120 | 1291 | 1356 |
| 55             | 485               | 786  | 1059 | 1255 | 1334 |
| 65             | 335               | 657  | 969  | 1190 | 1273 |
| 75             | 185               | 514  | 846  | 1086 | 1173 |
| 85             | 50                | 364  | 697  | 943  | 1036 |
| 90             | 3                 | 289  | 612  | 859  | 951  |
| 95             | 0                 | 215  | 523  | 764  | 852  |
| 105            | 0                 | 84   | 345  | 558  | 637  |
| 115            | 0                 | 0    | 150  | 333  | 396  |
| 125            | 0                 | 0    | 35   | 95   | 139  |
| 135            | 0                 | 0    | 0    | 0    | 2    |

#### ZONAL LUMENS

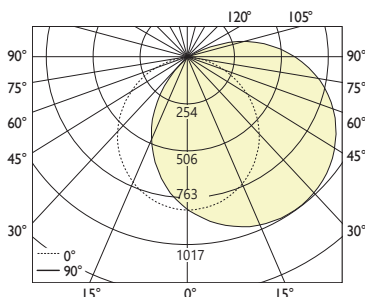
| Zone    | Lumens |
|---------|--------|
| 0       |        |
| 0-10    | 91     |
| 10-20   | 260    |
| 20-30   | 392    |
| 30-40   | 471    |
| 40-50   | 498    |
| 50-60   | 502    |
| 60-70   | 478    |
| 70-80   | 425    |
| 80-90   | 351    |
| 90      |        |
| 90-100  | 263    |
| 100-110 | 173    |
| 110-120 | 86     |
| 120-130 | 23     |
| 130-140 | 1      |

#### LUMINANCE DATA (cd/m²)

| Vertical Angle | Horizontal Angles |       |       |
|----------------|-------------------|-------|-------|
|                | 0                 | 45    | 90    |
| 45             | 7245              | 12978 | 15712 |
| 55             | 6934              | 15125 | 19059 |
| 65             | 6502              | 18790 | 24688 |
| 75             | 5847              | 26784 | 37129 |
| 85             | 4672              | 65515 | 97425 |

#### PHOTOMETRIC CURVE

750 lm/ft



**Luminaire Lumens: 3011 lm**  
**Input Watts: 30.42 W**  
**Efficacy: 99 lm/W**  
 IES FILE: EL90-AR-750-80-35-CLS-4.IES

TESTED ACCORDING TO IES LM-79-2008

#### CANDELA DISTRIBUTION

| Vertical Angle | Horizontal Angles |      |     |      |      |
|----------------|-------------------|------|-----|------|------|
|                | 0                 | 22.5 | 45  | 67.5 | 90   |
| 0              | 729               | 729  | 729 | 729  | 729  |
| 5              | 721               | 746  | 768 | 784  | 791  |
| 15             | 689               | 761  | 822 | 867  | 889  |
| 25             | 636               | 754  | 856 | 923  | 960  |
| 35             | 563               | 723  | 864 | 960  | 1004 |
| 45             | 469               | 668  | 840 | 968  | 1017 |
| 55             | 364               | 589  | 794 | 941  | 1001 |
| 65             | 252               | 492  | 727 | 893  | 955  |
| 75             | 139               | 385  | 635 | 815  | 880  |
| 85             | 37                | 273  | 523 | 708  | 777  |
| 90             | 2                 | 217  | 459 | 644  | 714  |
| 95             | 0                 | 161  | 392 | 573  | 639  |
| 105            | 0                 | 63   | 258 | 419  | 478  |
| 115            | 0                 | 0    | 112 | 250  | 297  |
| 125            | 0                 | 0    | 26  | 71   | 104  |
| 135            | 0                 | 0    | 0   | 0    | 2    |

#### ZONAL LUMENS

| Zone    | Lumens |
|---------|--------|
| 0       |        |
| 0-10    | 69     |
| 10-20   | 195    |
| 20-30   | 294    |
| 30-40   | 353    |
| 40-50   | 374    |
| 50-60   | 376    |
| 60-70   | 358    |
| 70-80   | 318    |
| 80-90   | 263    |
| 90      |        |
| 90-100  | 197    |
| 100-110 | 130    |
| 110-120 | 65     |
| 120-130 | 17     |
| 130-140 | 1      |

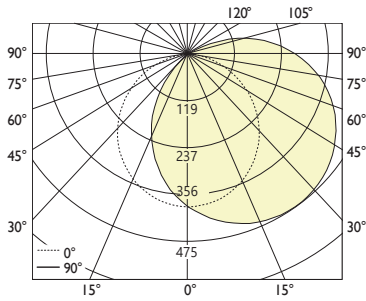
#### LUMINANCE DATA (cd/m²)

| Vertical Angle | Horizontal Angles |       |       |
|----------------|-------------------|-------|-------|
|                | 0                 | 45    | 90    |
| 45             | 5433              | 9733  | 11784 |
| 55             | 5201              | 11344 | 14294 |
| 65             | 4877              | 14093 | 18516 |
| 75             | 4385              | 20088 | 27846 |
| 85             | 3505              | 49136 | 73069 |

**i** All IES files are available for download at: [www.axislighting.com](http://www.axislighting.com)

### PHOTOMETRIC CURVE

350 lm/ft



**Luminaire Lumens: 1405 lm**  
**Input Watts: 14.2 W**  
**Efficacy: 99 lm/W**  
 IES FILE: EL90-AR-350-80-35-CLS-4.IES

TESTED ACCORDING TO IES LM-79-2008

### CANDELA DISTRIBUTION

| Vertical Angle | Horizontal Angles |      |     |      |     |
|----------------|-------------------|------|-----|------|-----|
|                | 0                 | 22.5 | 45  | 67.5 | 90  |
| 0              | 340               | 340  | 340 | 340  | 340 |
| 5              | 337               | 348  | 358 | 366  | 369 |
| 15             | 322               | 355  | 384 | 405  | 415 |
| 25             | 297               | 352  | 400 | 431  | 448 |
| 35             | 263               | 338  | 403 | 448  | 468 |
| 45             | 219               | 312  | 392 | 452  | 475 |
| 55             | 170               | 275  | 371 | 439  | 467 |
| 65             | 117               | 230  | 339 | 417  | 446 |
| 75             | 65                | 180  | 296 | 380  | 411 |
| 85             | 17                | 127  | 244 | 330  | 363 |
| 90             | 1                 | 101  | 214 | 301  | 333 |
| 95             | 0                 | 75   | 183 | 267  | 298 |
| 105            | 0                 | 29   | 121 | 195  | 223 |
| 115            | 0                 | 0    | 52  | 117  | 139 |
| 125            | 0                 | 0    | 12  | 33   | 49  |
| 135            | 0                 | 0    | 0   | 0    | 1   |

### ZONAL LUMENS

| Zone    | Lumens |
|---------|--------|
| 0       |        |
| 0-10    | 32     |
| 10-20   | 91     |
| 20-30   | 137    |
| 30-40   | 165    |
| 40-50   | 174    |
| 50-60   | 176    |
| 60-70   | 167    |
| 70-80   | 149    |
| 80-90   | 123    |
| 90      |        |
| 90-100  | 92     |
| 100-110 | 61     |
| 110-120 | 30     |
| 120-130 | 8      |

### LUMINANCE DATA (cd/m²)

| Vertical Angle | Horizontal Angles |       |       |
|----------------|-------------------|-------|-------|
|                | 0                 | 45    | 90    |
| 45             | 2536              | 4542  | 5499  |
| 55             | 2427              | 5294  | 6671  |
| 65             | 2276              | 6577  | 8641  |
| 75             | 2047              | 9374  | 12995 |
| 85             | 1636              | 22930 | 34099 |