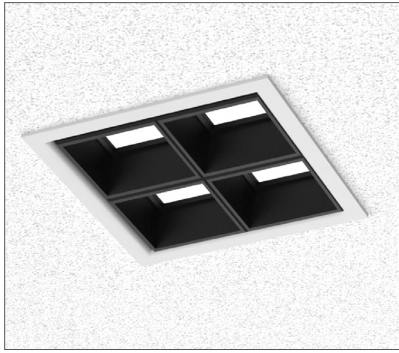


Pixel MikroLite™ 1.5

Recessed Downlights



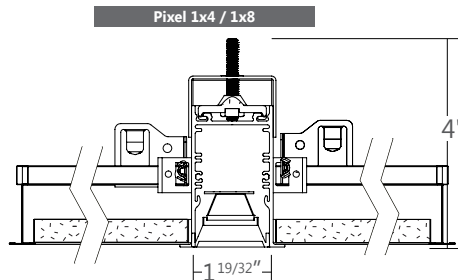
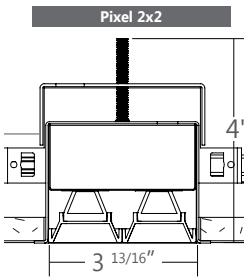
Pixel 2x2 shown



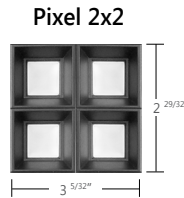
Pixel 1x4 shown



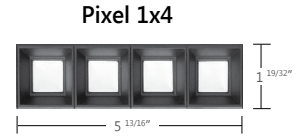
Pixel 1x8 shown



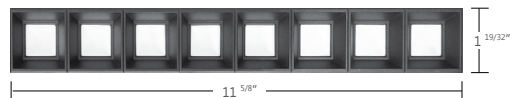
Project _____
 Type _____
 Notes _____



1 module contains 4 MikroLite cells



Pixel 1x8



1 module contains 8 MikroLite cells

Please provide configuration drawings

Ordering Guide

Pixel lumen are based on unit

MikroLite™



MLR	PRODUCT ID	MODULE SIZE	NOM. LUMENS/UNIT		CRI	COLOR TEMP	DOWNLIGHT CELL FINISH		
PIMLR	Pixel MikroLite Recessed Downlights	2x2 2x2	200	200 lm - Minimum	2x2, 1x4	27	2700K	GR	gray
		1x4 1x4	500	500 lm - Maximum		30	3000K	W	white
		1x8 1x8	200	200 lm - Minimum	1x8	35	3500K	BLK	black
			1000	1000 lm - Maximum		40	4000K		
Outputs between listed min and max are available. Consult factory for outputs outside of the listed range.									


FINISH	VOLTAGE	REMOTE DRIVER	CIRCUITS	MOUNTING/SUSPENSION
AP aluminum paint	120 120 V	DP dimming (0-10V) 1% - remote only	1 1 circuit	TB9 t-bar 9/16"
W white	277 277 V	LT Lutron - remote only ⁽¹⁾		TB15 t-bar 15/16"
BLK black	347 347 V	BI bi-level dimming - remote only		ST screw slot t-bar
C custom	UNV universal	O other - remote only ⁽²⁾		TG9 tegular 9/16"
		Remote only. Please provide configuration drawing. (1) Specify system (2) Please consult factory; see page 2		TG15 tegular 15/16"

OTHER (OPTIONAL)	IC CONTROLS (OPTIONAL)	CUSTOM (OPTIONAL)
F fuse ⁽⁵⁾	DS# daylight sensor OS# occupancy sensor DOS# daylight & occupancy sensor EN# Enlighted integral ENR# Enlighted remote WC# wireless control dimming	C custom
(5) Requires 120V or 277V	Please consult factory. See integrated controls guide for more details.	Please specify

● LED SYSTEM

LED System	4 or 8 cells in each module
LED optical System	Axis patent pending mixing chamber optic for high efficacy light control with deep square in square architectural downlight trim
CRI	Minimum 80 or 90 color rendering index
CCT	Choice of 2700K, 3000K, 3500K and 4000K color temperature with a great color consistency (within 3.0-step MacAdam ellipse).
Color Tuning	Cluster of 4 LED 2 on each diagonal for pure color mixing and no color over angle effects in the space
LED life	Minimum 50,000h with 85% of lumen maintenance in 25°C ambient temperature, in compliance with IES LM-80 testing measurements.
Thermal Management	Aluminum housing acting as the heat sink to maximize life. Extruded aluminum downlight heat sink

● APPROVALS

Certified to UL and CSA standards 
Suitable for damp locations.
Meets CCEC requirements (Chicago plenum)

● WARRANTY

Axis lighting will warrant defective LEDs, boards, and drivers for 5 years from date of purchase. Warranty is valid if luminaire is installed and used according to specifications. If defective, Axis will send replacement boards or drivers at no cost along with detailed replacement instructions and instructions on how to return defective components to Axis.

● ECO FRIENDLY PROGRAM

Pixel MikroLite meets the Living Building Challenge, is Halogen free and includes PVC free wiring in compliance with requirements. Please contact Axis for supporting documentation.

● CONSTRUCTION

Housing 1x4 and 1x8 2x2	Extruded aluminium Sheet metal housing
Interior Brackets	Die formed sheet steel (20 gauge)
Micro Downlight	High density composite Polycarbonate shielding and formed aluminum optical system
Mixing Lenses	Extruded acrylic
Micro Downlight Heat Sink	Extruded aluminum

● ELECTRICAL

Remote drivers

Lutron driver LDE1 - EcoSystem H-Series (1%)
LDE5 - EcoSystem 5-Series (5%)
LTE - Hi-Lume® A-series 2Wires Forward Phase (1%)

Other drivers DALI - Digital Addressable Lighting Interface
DMX - Digital Multiplex
LV - line voltage - Advance Mark 10
Xitanium SR - For wireless sensor
POE (Power over Ethernet) - Low Voltage Lighting System.

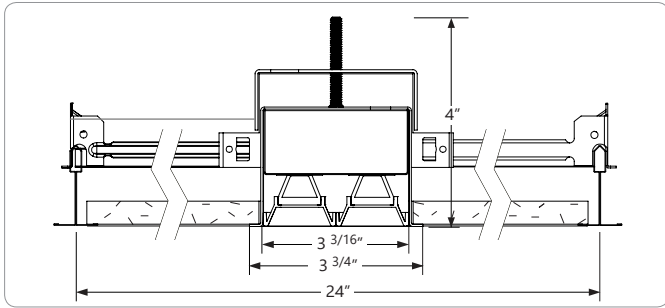
All drivers are remote

Emergency remote emergency battery pack or emergency circuit optional.

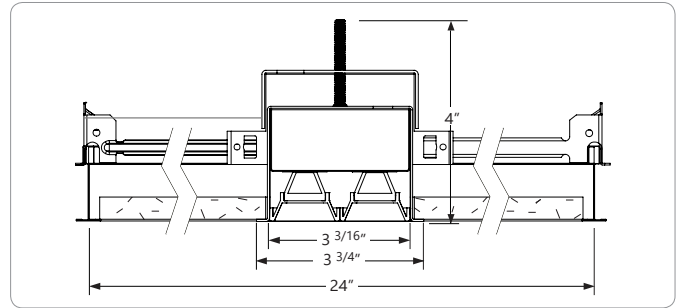
Input Voltage 120V, 277V, UNV.

i Incorporating these components may have limitations or affect the length of the luminaire. Please contact factory for more details.

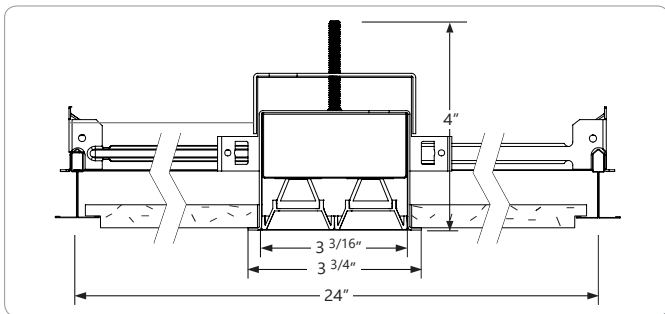
● TB CEILING MOUNTING OPTIONS



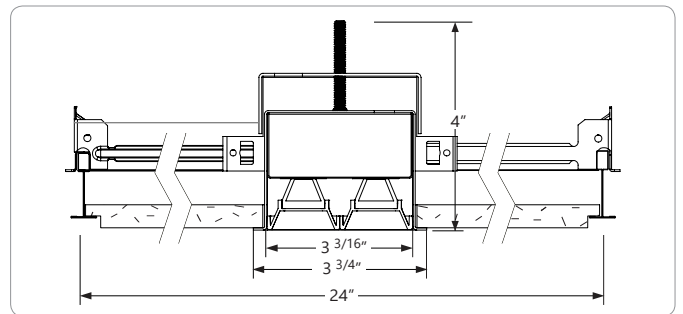
TB15 15/16" T-BAR



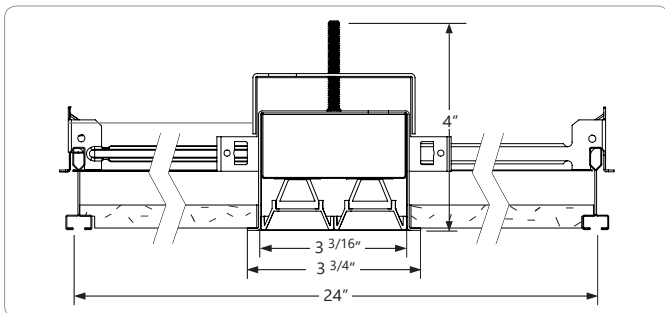
TB9 9/16" T-BAR



TG15 15/16" TEGULAR



TG9 9/16" T-TEGULAR

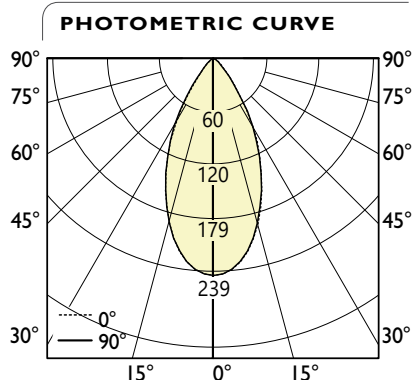


ST SCREW SLOT T-BAR

i Specification sheets and installation sheets for all mountings for MikroLite 1.5 luminaires are available for download at www.axislighting.com

● PHOTOMETRIC DATA

MikroLite Recessed - 2x2
200 lm/ft



Total Lumens: 200 lm (2x2)
Input Watts: 1.8 W
Efficacy: 111 lm/W

IES FILE: MLR-2X2-200-80-35-W-1.IES
TESTED ACCORDING TO IES LM-79-2008

CANDELA DISTRIBUTION

Vertical Angle	Horizontal Angles				
	0	22.5	45	67.5	90
0	239	239	239	239	239
5	233	234	234	235	235
15	194	195	196	196	196
25	129	130	131	131	130
35	63	67	69	69	68
45	16	19	27	21	17
55	4	4	4	5	4
65	1	1	1	1	1
75	0	0	0	0	0
85	0	0	0	0	0
90	0	0	0	0	0

ZONAL LUMENS

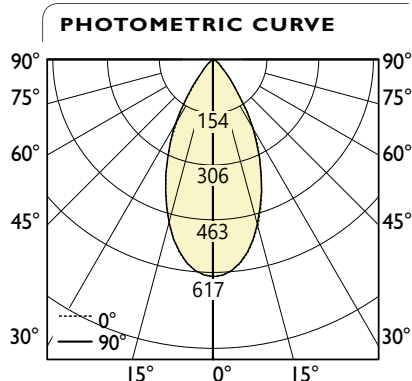
Zone	Lumens
0	22
0-10	54
10-20	60
20-30	42
30-40	17
40-50	4
50-60	1
60-70	0
70-80	0
80-90	0
90	0

LUMINANCE DATA (cd/m²)

Vertical Angle	Horizontal Angles		
	0	45	90
45	4110	7067	4452
55	1246	1422	1321
65	242	308	239
75	0	0	0
85	0	0	0

i All IES files are available for download at: www.axislighting.com

MikroLite Recessed - 2x2
500 lm/ft



Total Lumens: 516 lm (2x2)
Input Watts: 4.7 W
Efficacy: 110 lm/W

IES FILE: MLR-2X2-500-80-35-W-1.IES
TESTED ACCORDING TO IES LM-79-2008

CANDELA DISTRIBUTION

Vertical Angle	Horizontal Angles				
	0	22.5	45	67.5	90
0	617	617	617	617	617
5	602	604	604	605	605
15	501	503	506	506	505
25	332	335	339	338	335
35	164	172	179	179	175
45	41	48	70	53	44
55	10	11	11	12	11
65	1	2	2	2	1
75	0	0	0	0	0
85	0	0	0	0	0
90	0	0	0	0	0

ZONAL LUMENS

Zone	Lumens
0	56
0-10	140
10-20	154
20-30	109
30-40	44
40-50	11
50-60	2
60-70	0
70-80	0
80-90	0
90	0

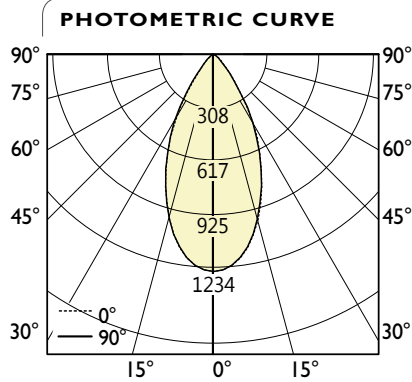
LUMINANCE DATA (cd/m²)

Vertical Angle	Horizontal Angles		
	0	45	90
45	10603	18233	11486
55	3214	3668	3409
65	625	796	616
75	0	0	0
85	0	0	0

i All IES files are available for download at: www.axislighting.com

● PHOTOMETRIC DATA

MikroLite Recessed - 2x2
1000 lm/ft



Total Lumens: 1032 lm (2x2)
Input Watts: 9.43 W
Efficacy: 109 lm/W

IES FILE: MLR-2X2-1000-80-35-W-1
TESTED ACCORDING TO IES LM-79-2008

CANDELA DISTRIBUTION

Vertical Angle	Horizontal Angles				
	0	22.5	45	67.5	90
0	1234	1234	1234	1234	1234
5	1205	1207	1209	1210	1211
15	1003	1006	1013	1011	1009
25	665	670	678	675	670
35	327	344	358	358	349
45	82	97	141	107	89
55	20	23	23	24	21
65	3	4	4	4	3
75	0	0	0	0	0
85	0	0	0	0	0
90	0	0	0	0	0

ZONAL LUMENS

Zone	Lumens
0	
0-10	113
10-20	280
20-30	307
30-40	217
40-50	88
50-60	23
60-70	4
70-80	0
80-90	0
90	

LUMINANCE DATA (cd/m²)

Vertical Angle	Horizontal Angles		
	0	45	90
45	21206	36466	22972
55	6429	7336	6818
65	1249	1592	1232
75	0	0	0
85	0	0	0

i All IES files are available for download at: www.axislighting.com