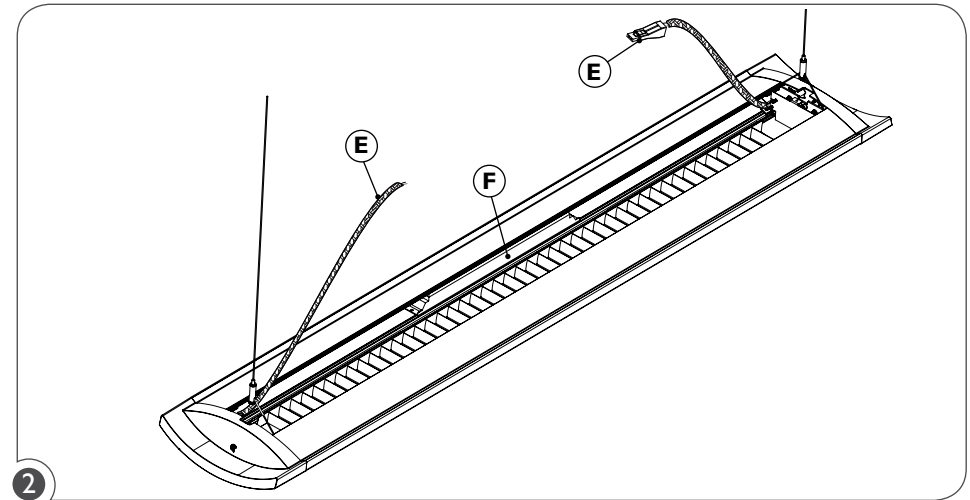
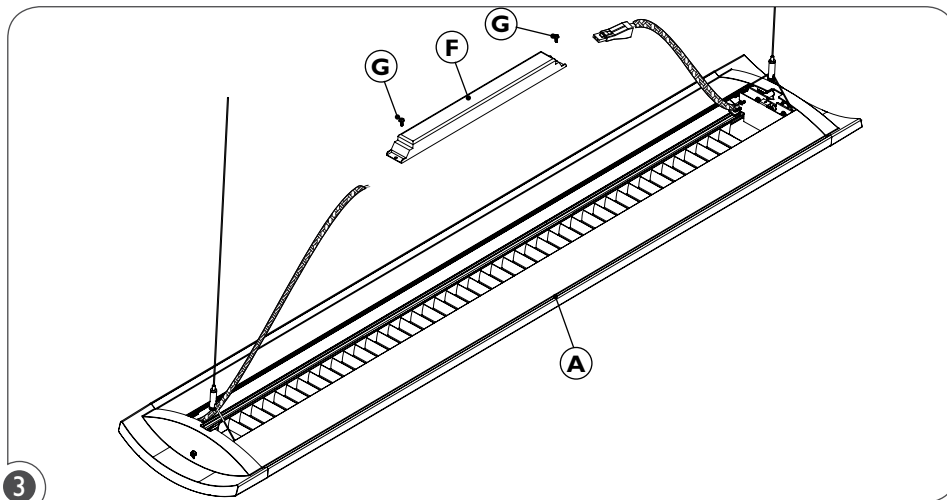


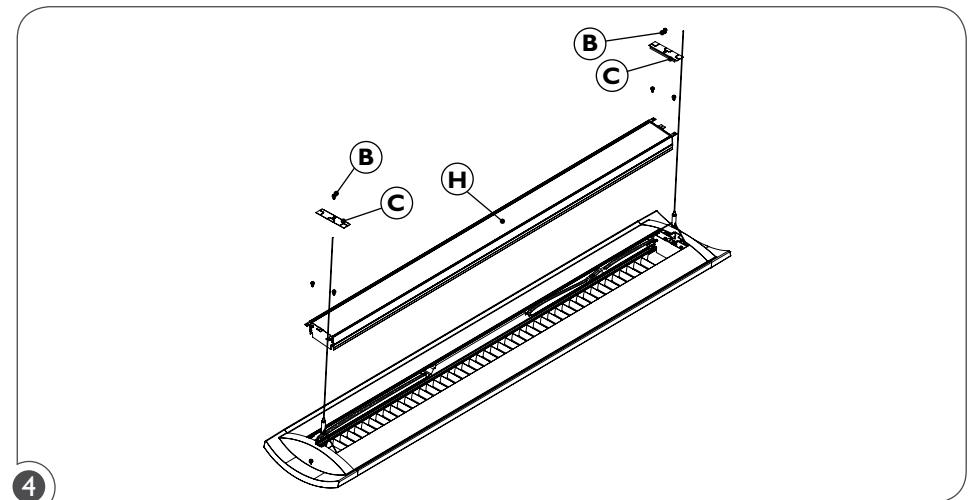
1 Ensure that the power to the fixture's circuit is turned off before attempting to verify and replace the driver. Unscrew the top cover retaining screws (B) and remove the top covers (C) and optical engine (H) from the fixture (A).



2 Disconnect the power wires (E) from the driver (F).



3 Unscrew the driver screws (G) and disconnect driver (F) from fixture (A). Replace driver and reconnect to fixture.



4 Put the optical engine (H) back in place, install top covers (C) and secure with top screws (B).