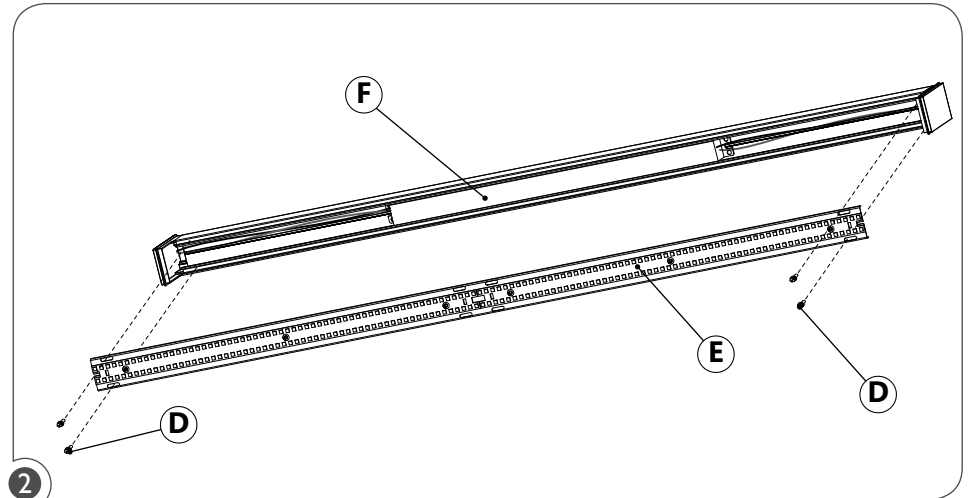
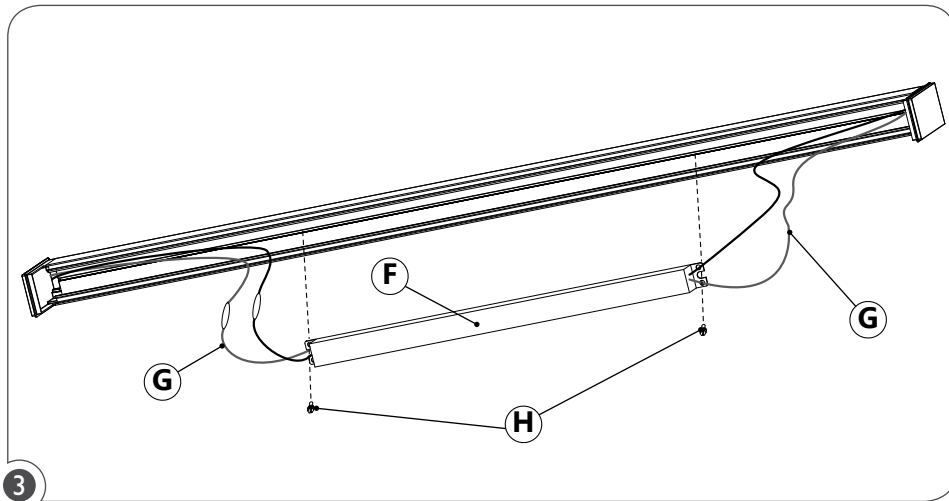


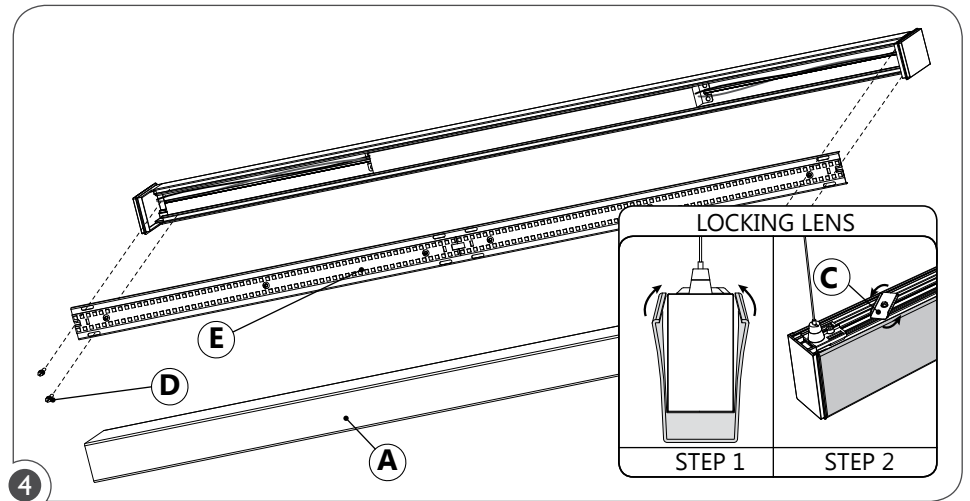
NOTE: Before attempting to verify and replace the driver, ensure that the power to the fixture's circuit is turned off. Remove lens (A) from the fixture (B) by unlocking the lens lock (C) as shown in step 1 and 2.



Remove reflector retaining screws (D) and remove the reflector (E) to reveal the driver (F).



Disconnect wires (G) from the driver (F). Remove the driver retaining nuts (H). Replace driver (F) and reconnect wires (G). Re-install the driver into place and fasten retaining screws.



Put the reflector (E) back in place and fasten retaining screws (D). Re-install the lens (A). Lock the lens (A) in place using the lens lock (C).