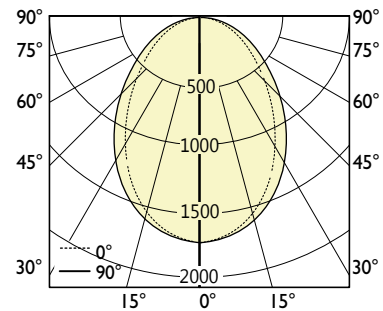
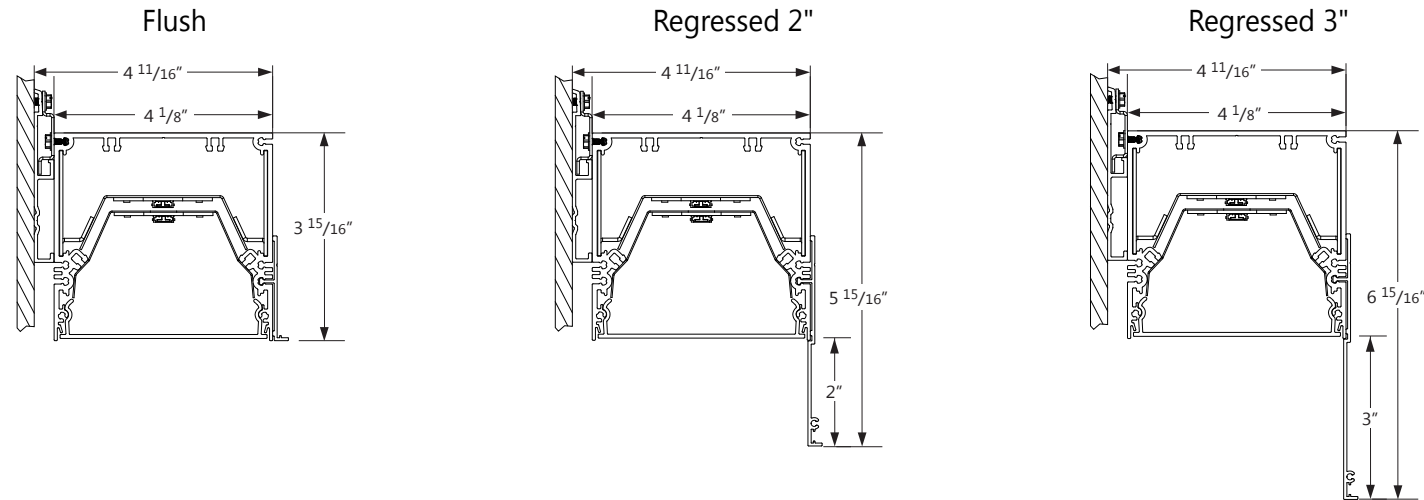


Luminaire Overview

Perimeter Recessed

Patterns Qty	Section Quantity	Nom. Lumens/Ft	CRI	Color Temp.	Length	Shiading	Finish	Voltage
Open Shape outside Lit Corner	Telescopic Section - End	300 lm/ft	80	2700K	Total Length	Flush	White	120V
Open Shape Inside Lit Corner	Telescopic Section - Middle	400 lm/ft	90	3000K		Regressed 2"	Custom	277V
	Fixed Section - End	500 lm/ft		3500K		Regressed 4"		347V
	Fixed Section - Middle	750 lm/ft		4000K				Universal
		1100 lm/ft						

Consult spec sheet for exact output & specifications.



Asymmetrical light distribution washes walls evenly, ensuring visual comfort.

Luminaire Lumens: 1000 lm/ft
Input Watts: 9.6 W/ft
Efficacy: 104 lm/W

IES FILE: BBRLED-1000-80-35-SO.IES
 TESTED ACCORDING TO IES LM-79-2008



We reserve the right to change specifications without notice.
 Please consult our website for the most current technical information
 and to locate your nearest Axis representative.

1.800.263.AXIS | [T] 514.948.6272 | [F] 514.948.6271 | axislighting.com

© 2017 Axis Lighting Inc.



BEAM3 LED BEAM4 LED BEAM6 LED
PERIMETER
 Architectural Perimeter Lighting System





Installation Flexibility

The Axis Beam LED Perimeter system features a patented telescopic sliding LED board design that allows runs to be field cut to facilitate installation and specification. Compatible with Beam family for improved service and cost-effectiveness.

BEAM3 LED BEAM4 LED BEAM6 LED PERIMETER

Flexible perimeter lighting that blends into the space

Open up the room with space-enhancing perimeter lighting. Illuminate vertical surfaces evenly. Highlight textures. Create ambience. Experience reliable service and cost-effective quality illumination based on the existing Beam lighting system.

