

NOTE: THE JUNCTION BOXES MUST BE SOLIDLY FIXED TO THE WALL BEFORE PROCEEDING TO THE INSTALLATION.

● **PART LIST**

- A Mounting points
- B Junction box (by others)
- C Mounting bracket
- D Power feed wires
- E Fixture wires
- F Wire nuts
- G Junction box cover plate
- H Fixture
- I Screws

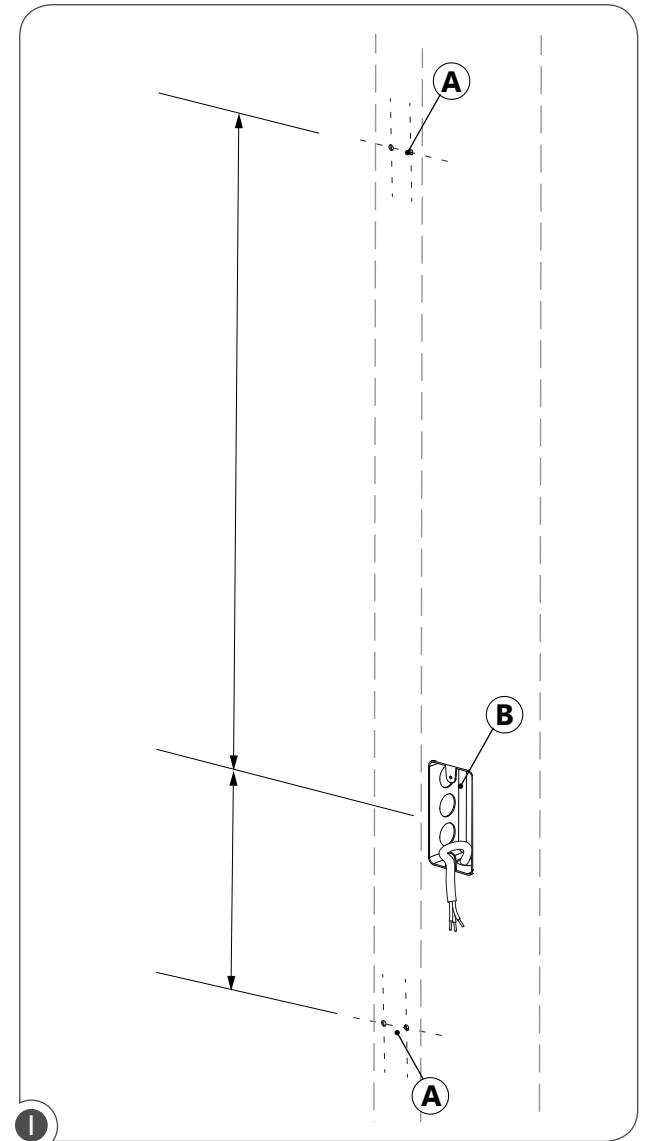
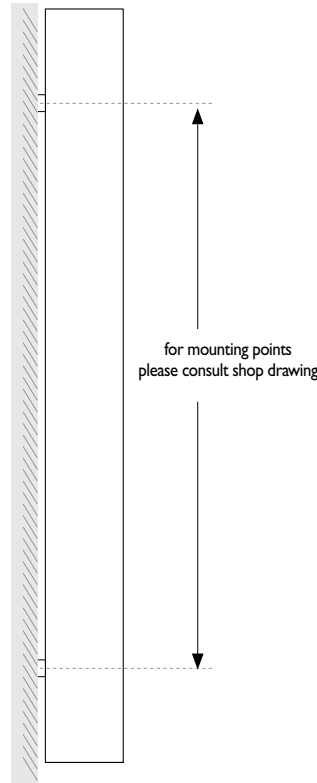
● **ANCHOR POSITIONS**

Refer to anchor positioning template on pages 3-5

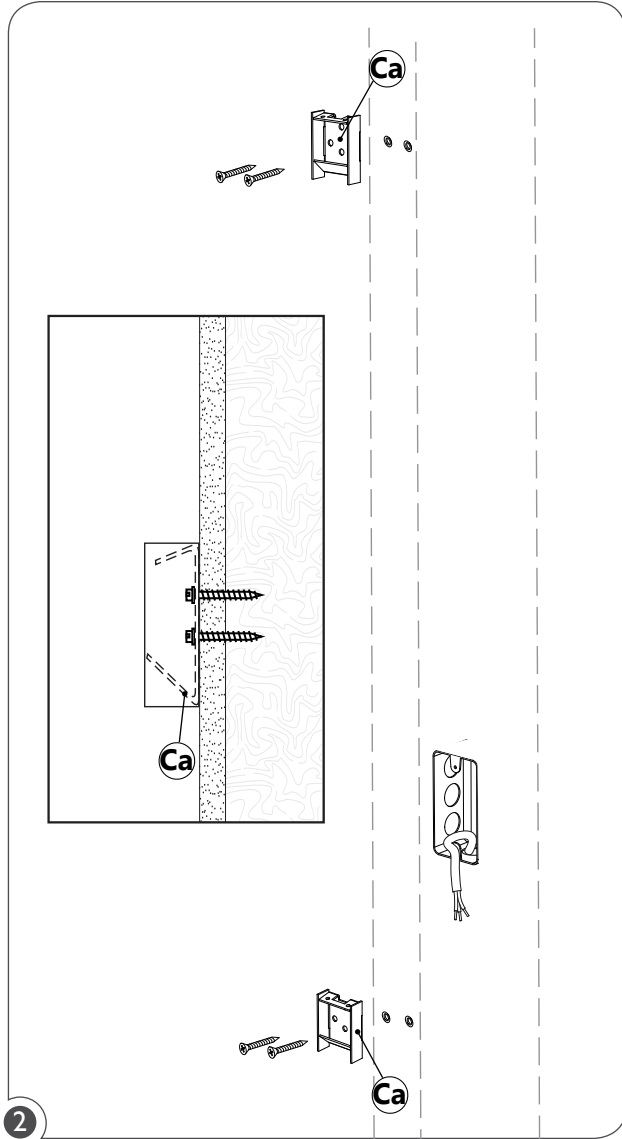
i Row configuration and mounting points guide is available for download at: www.axislighting.com

● **DIMENSIONS**

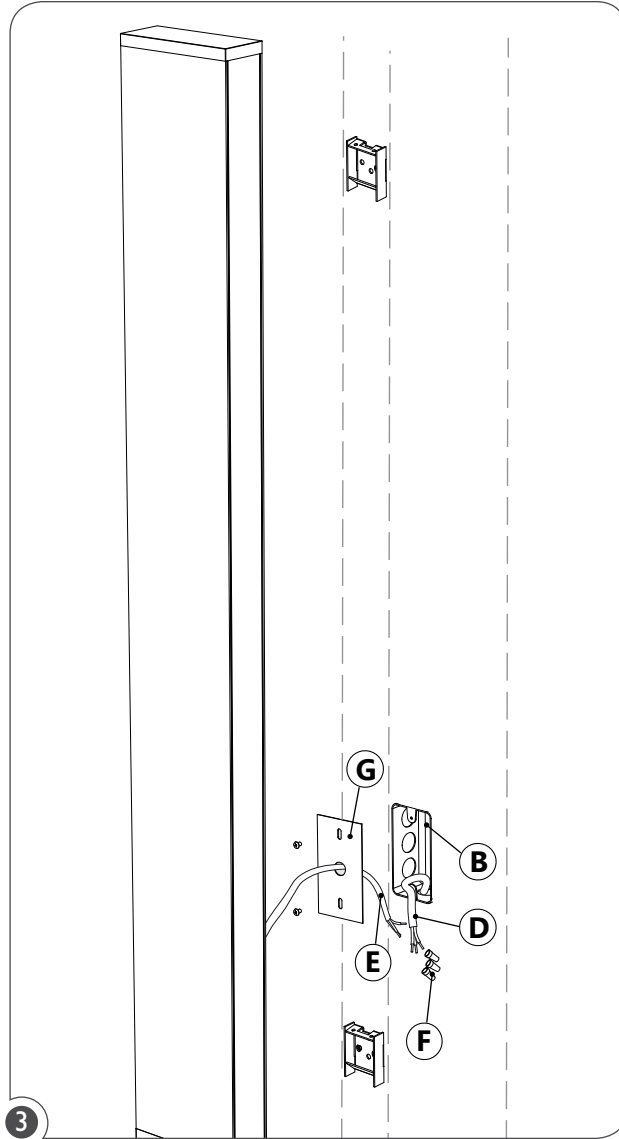
PRODUCT	WIDTH	HEIGHT
BEAM 2	2 1/4"	3 5/8"
TWIN BEAM 2	2 1/4"	5 5/8"
BEAM 3	3 13/32"	4"
BEAM DI	3 13/32"	4"
BEAM 4	4 5/32"	5 1/2"
BEAM 6	5 1/32"	5 1/2"



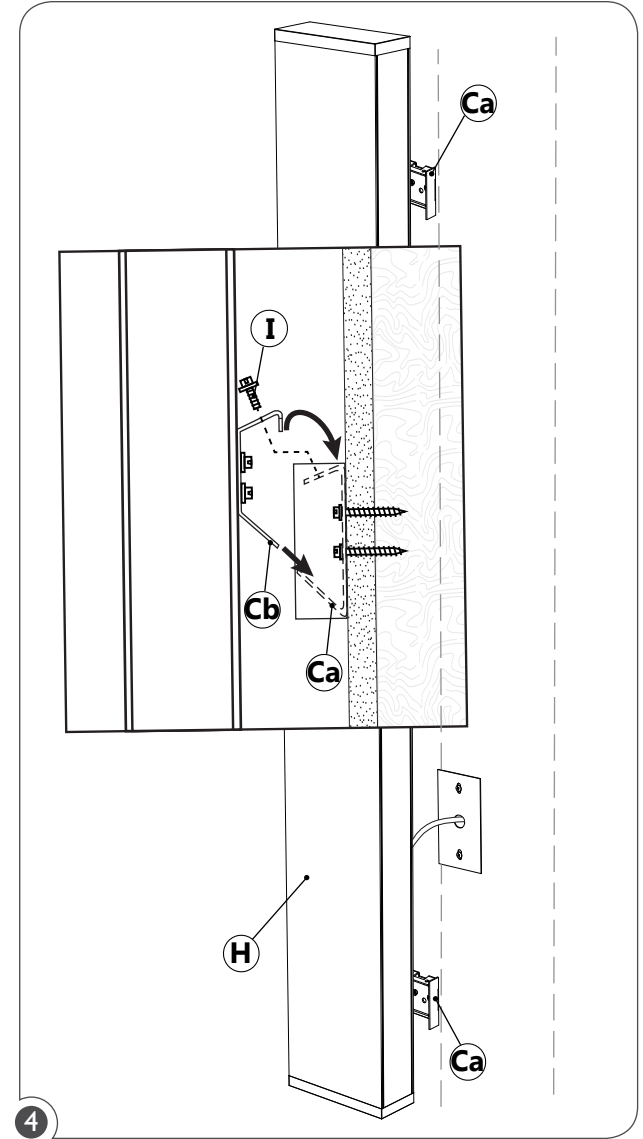
Locate the mounting points (A) and junction box (B).
 Maintain correct mounting spacing as per shop drawings.



2 Fasten wall part of the mounting brackets (Ca) to the wall.

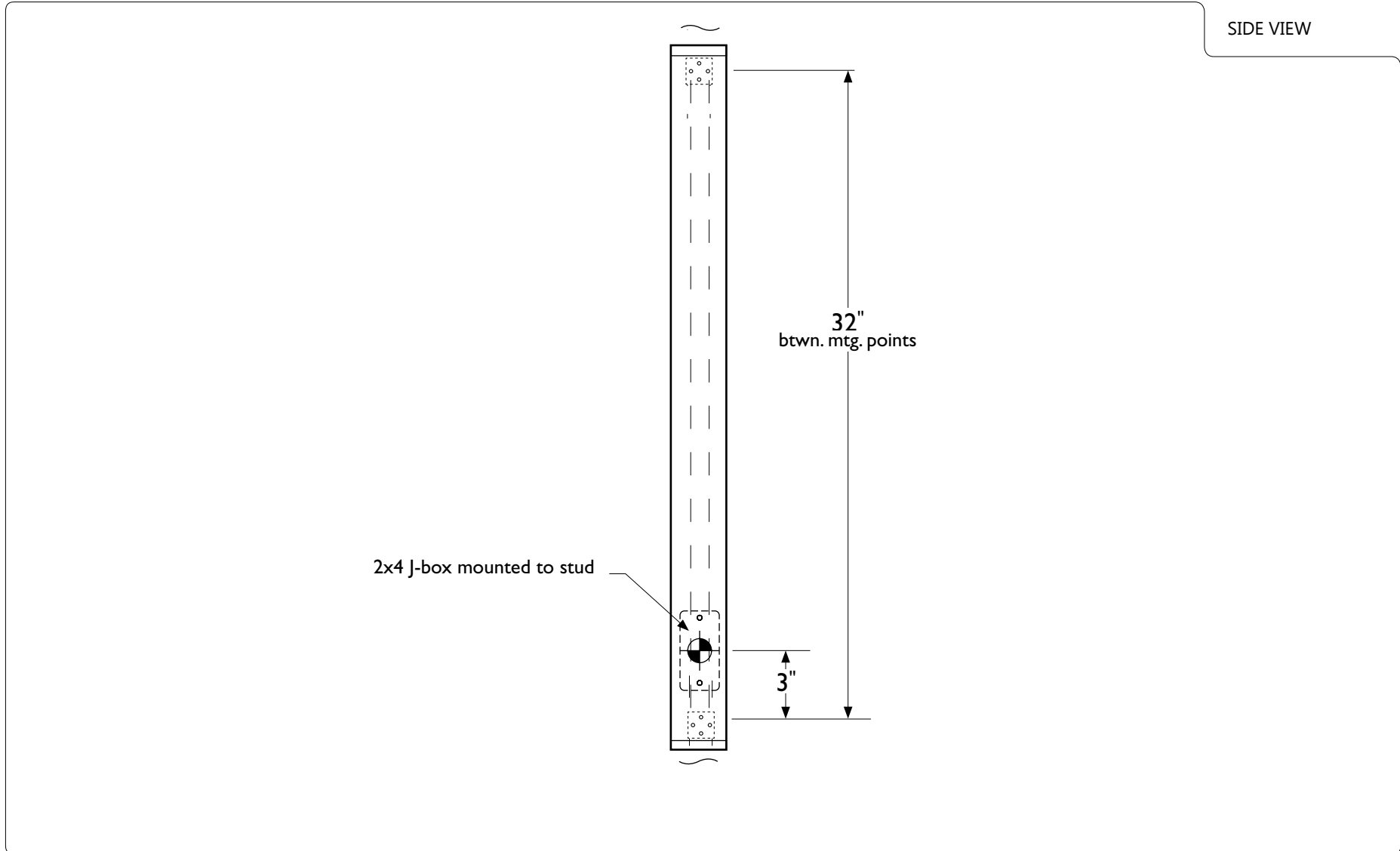


3 Connect wires (D) from junction box (B) with the wires from the fixture (E) using wire nuts (F). Cover junction box with cover plate (G).



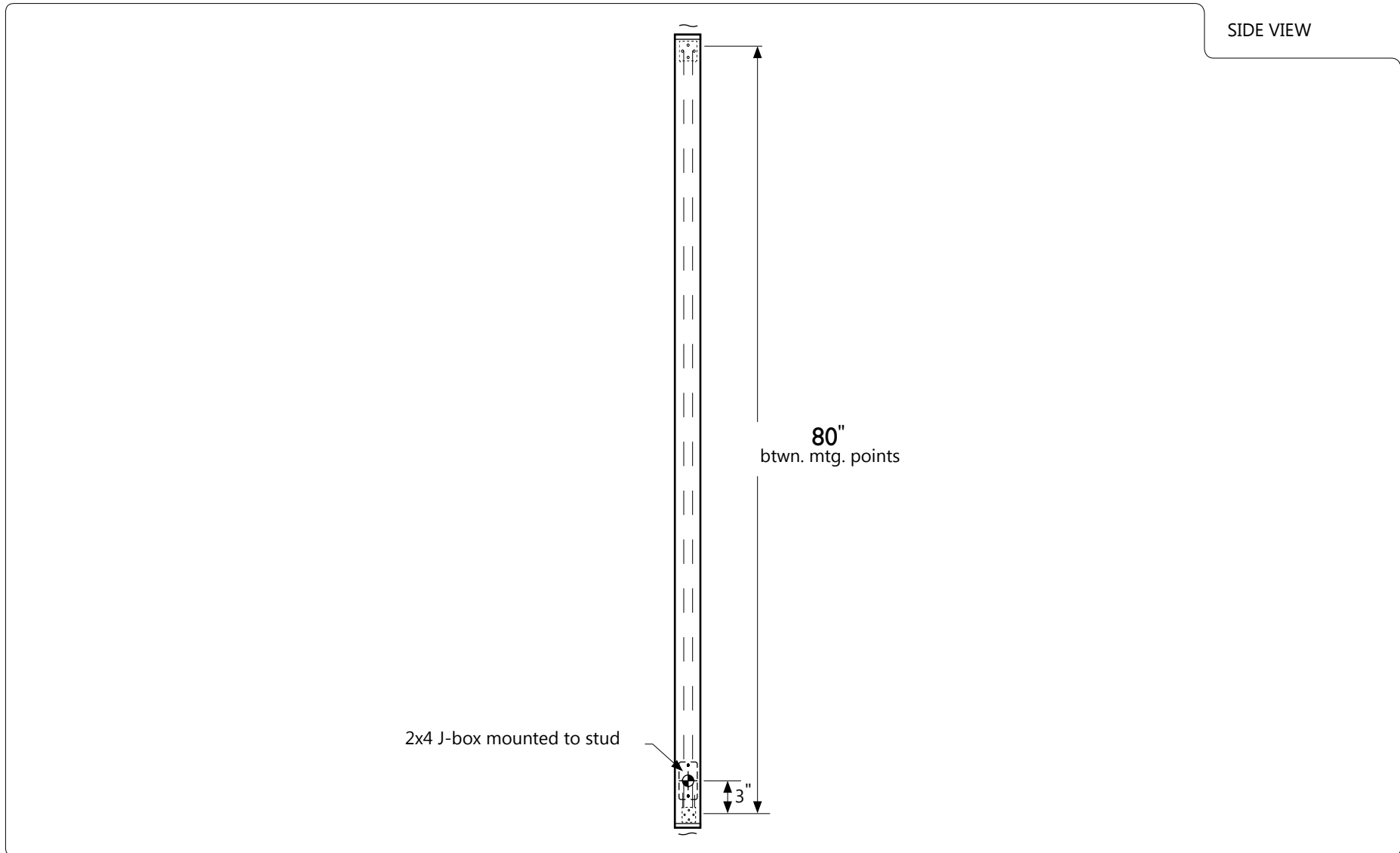
4 Fasten mounting brackets (Cb) to fixture (H). Mount fixture (H) to the wall by fastening the fixture mounting bracket (Cb) into the wall bracket (Ca) and secure with supplied screws (I).

VERTICAL WALL MOUNT INSTALL INSTRUCTIONS TEMPLATE FOR HOLES AND J-BOX POSITION



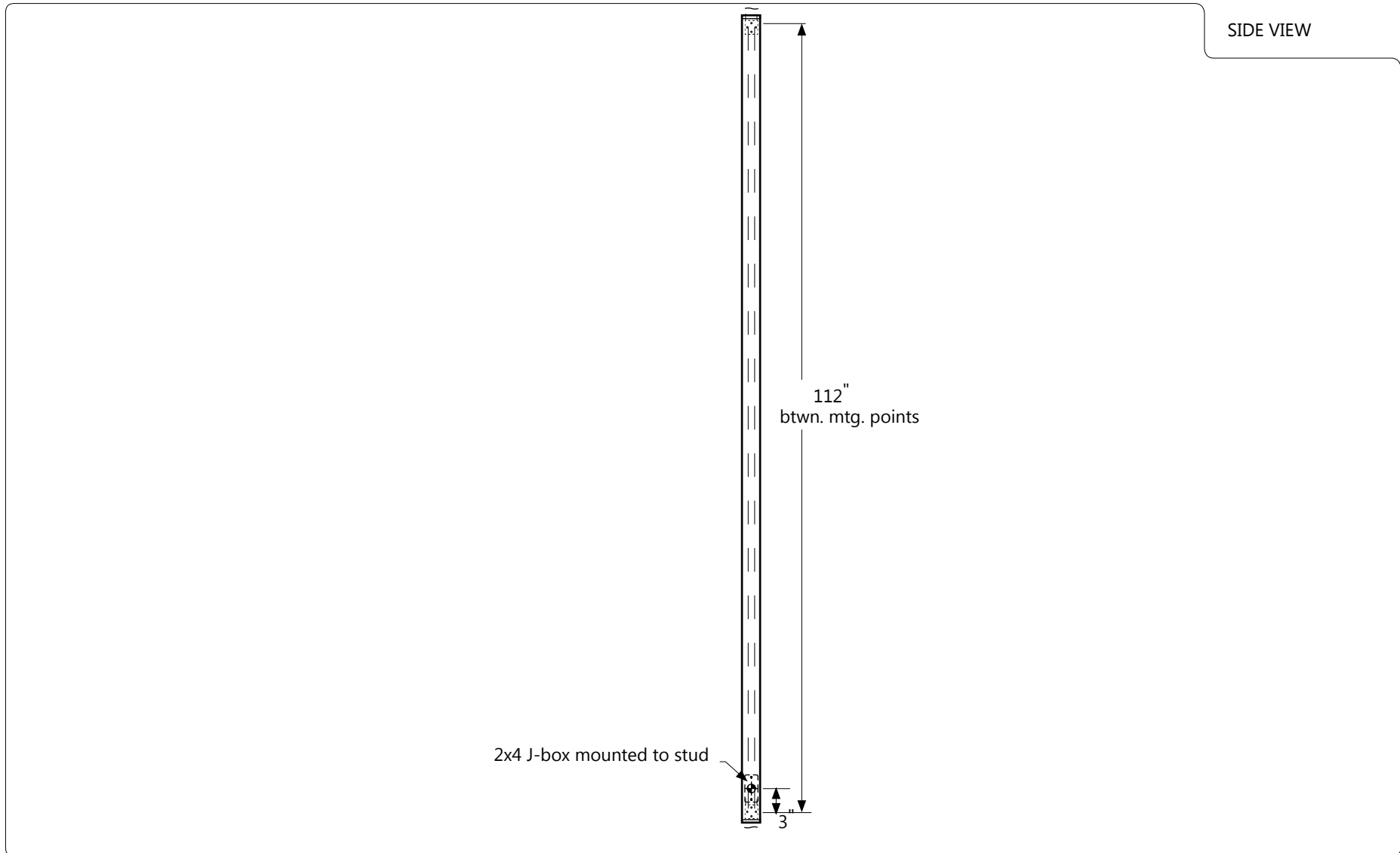
i For staggered lamping fixtures - consult shop drawings for mounting points.

VERTICAL WALL MOUNT INSTALL INSTRUCTIONS TEMPLATE FOR HOLES AND J-BOX POSITION



i For staggered lamping fixtures - consult shop drawings for mounting points.

VERTICAL WALL MOUNT INSTALL INSTRUCTIONS **TEMPLATE FOR HOLES AND J-BOX POSITION**



i For staggered lamping fixtures - consult shop drawings for mounting points.