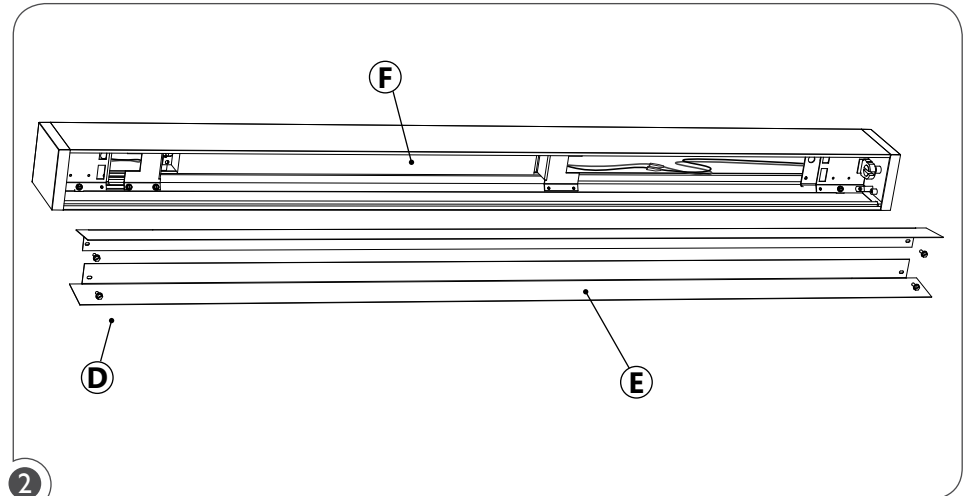


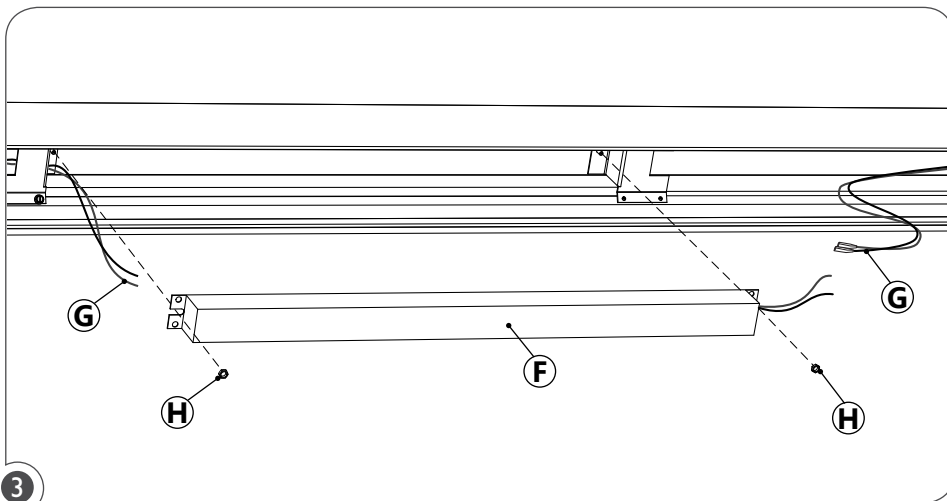
1

**NOTE:** Before attempting to verify and replace the ballast, ensure that the power to the fixture's circuit is turned off. Remove optics (A) and lamps (B) from the fixture (C).



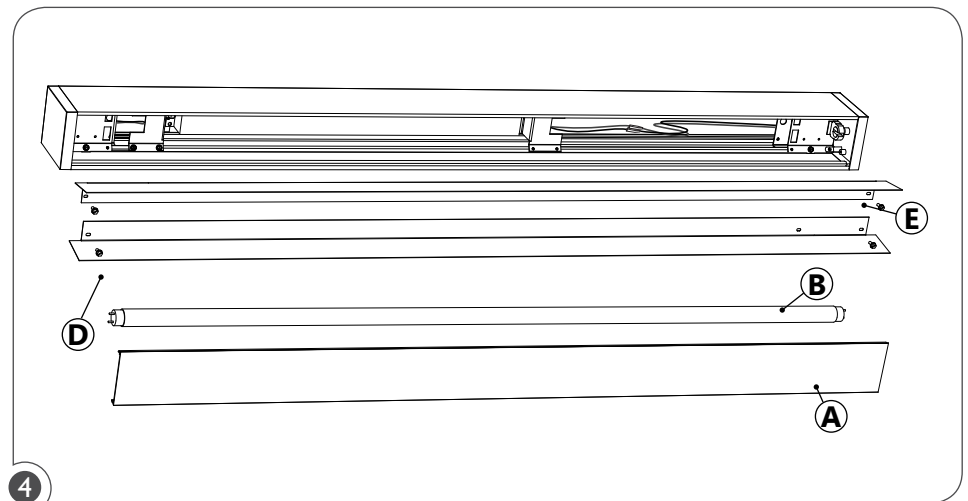
2

Remove reflectors retaining screws (D) and remove reflectors (E) to reveal the ballast (F).



3

Disconnect wires from the ballast (F) using the quick-wire connectors (G). Remove the ballast (F) retaining nuts (H). Replace ballast (F) and reconnect wires using the quick-wire connectors (G).



4

Put the reflectors (E) back in place and fasten retaining screws (D). Re-install the lamps (B) and optics (A).