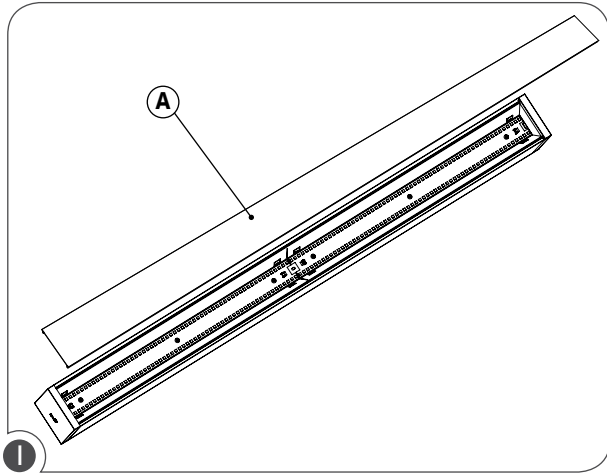
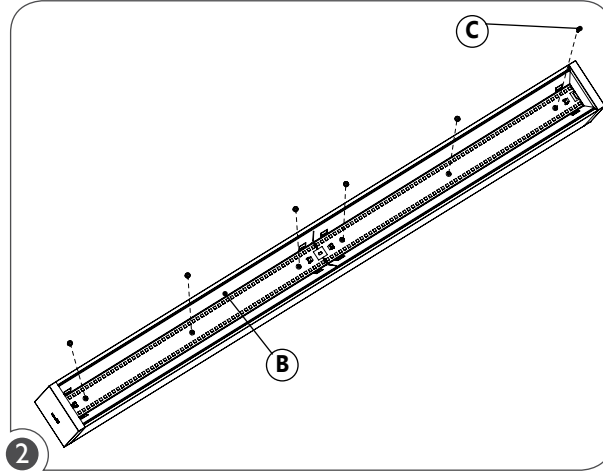


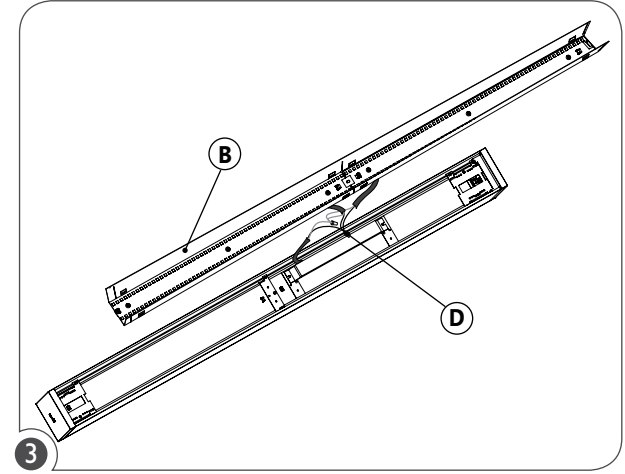
NOTE: Led boards, Reflectors and Optics are fragile components. Please manipulate with care.



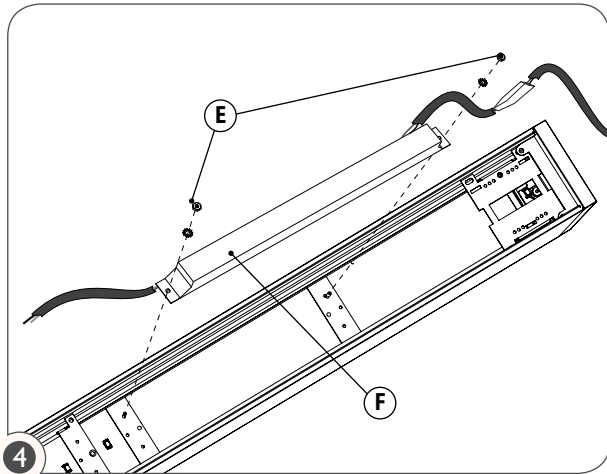
NOTE: Before attempting to verify and replace the driver, ensure that the power to the fixture's circuit is turned off. Remove optics (A) from the fixture.



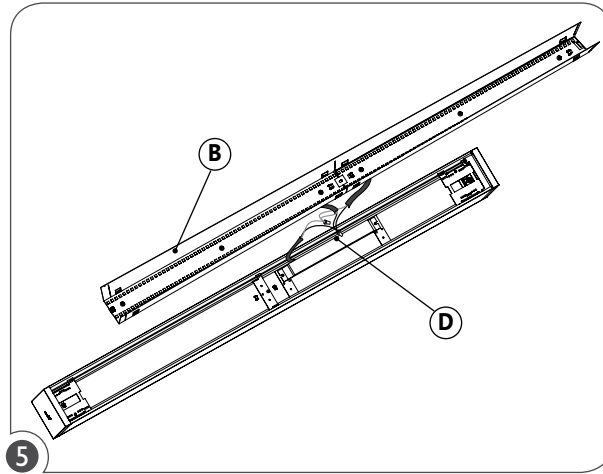
Remove screws (C) holding the LED module (B).



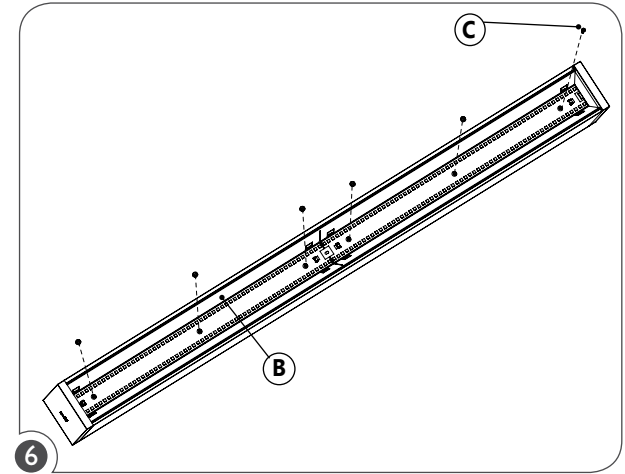
Lift the LED module (B). Disconnect the electrical wiring (D). Place LED module (B) in a safe location.



Remove the screws (E) holding the driver (F) in place. Rotate and lift the driver (F) out of the fixture. Disconnect from the fixture using the quick connectors. Connect the new driver (F) and install in place with the screws (E).



Connect the LED module (B) wires to the electrical wires (D). Install the LED module (B) inside the fixture.



Secure the LED module (B) with screws (C). Install optics back into place.

FILE NAME:BBLED.DRIVER.INST October 7, 2014